



1. Introduction

IP Mini Bullet Camera Installation Guide

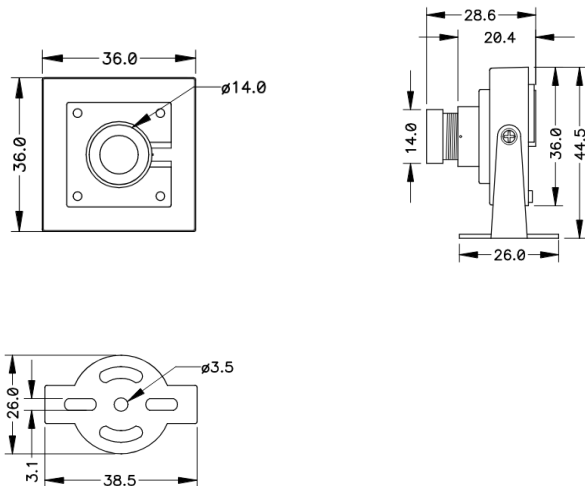
This installation guide provides instructions for installing the network camera on your network. For all other aspects of using the product, please see the User's Manual, available on the CD included in this package.

Installation Steps

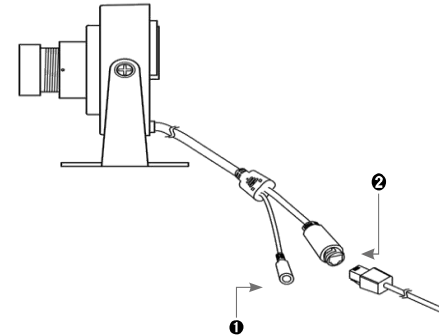
1. Check the package contents against the list below
2. Read the Product description
3. Install the hardware.
4. Set an IP address
5. Set the admin and user ID and password. (see User's Manual)

Important! : This product must be used in compliance with local laws and regulations.

2. Dimensions(Unit:mm)



3. Product Description



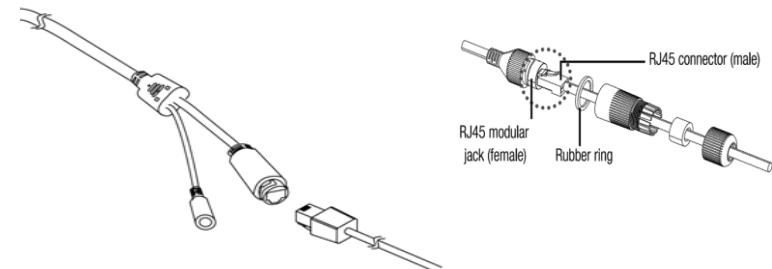
1. Power Input(DC12V) – Connects to DC 12V power.
2. Network Connector –

The network camera connects to the network via a standard network cable, and automatically detects the speed of the local network segment (10BaseT/100BaseTX Ethernet). PoE Supported

4. Hardware Installation

IP camera are designed to be installed using a template as shown below.

Connection



1. Connect the camera to the network using a UTP cable (CAT.5), Power can be supplied via the network cable (PoE)
2. Connect DC 12V to the power terminal. This is not necessary if the network camera is connected to a PoE hub or midspan
3. Check that the indicator LEDs indicates the correct conditions.
4. Connect the RJ45 modular jack (female) to the RJ45 connector (male)

Network Miniature Camera



5. IP Address Assignment

To make it accessible on the network, the Network Camera must be assigned an IP address.

Note:

- A network DHCP server is optional
- The network camera has the default IP address 192.168.0.150
- If IP assignment fails, check that there is firewall blocking its operation and check that the network camera and your computer's IP are located on the same subnet.

Assign an IP address using IP Installer

The IP installer automatically searches for and displays network devices on IP Cam Search. The application can also be used to manually assign a static IP address

Note

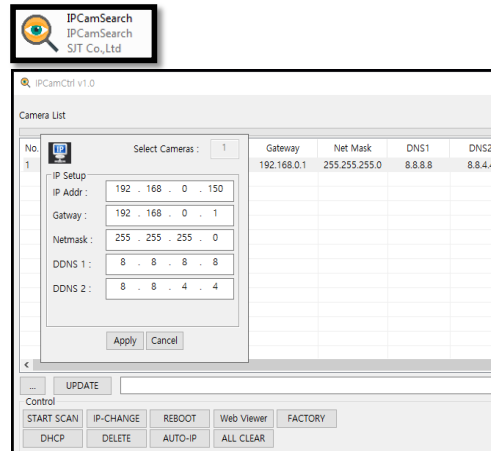
The computer running the IP Cam Search must be on the same network segment (physical subnet) as the network camera.

1. Check that the network camera is connected to the network and that power has been supplied.

2. Run the IP CamSearch program

- Click the START button to scan and find the network camera.
- IP Settings
 - The factory default IP address is searched 192.168.0.150
 - You can change the address and network information you want.

3. Click the "Apply" button to save the configuration



Accessing the Network Camera

1. Start your browser

When you run or install ActiveX, open the Internet Explorer browser as Administrator on Windows Vista, 7, 8 .10 (supported only in the Desktop mode) Users without administrator rights cannot install ActiveX controls. Unless Internet explorer is opened as administrator, The camera functions of Live Web Viewer cannot work(screen capture, etc.)

2. Enter the IP address or host name of the network camera in the Address field of your browser.

Double-click the searched IP address on IP Cam Search to connect to the web.

3. page will be displayed. Enter the user ID and password

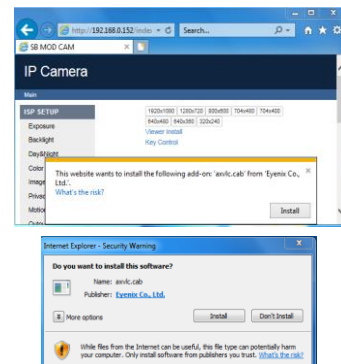
Note: Default User ID and Password is

[ID: admin, Password: admin]



4. Click "Install" to install the Web Viewer.

_Run the axvlc.cab installation file



Network Miniature Camera

5. Click the warning message and select "Install ActiveX Control..."



6. The video image displays in your browser



6. Product Specifications

Image	Image Sensor	1/2.8" SONY 2.13M STARVIS CMOS	STARVIS
	Size	1/2.8 inch	
	Scan method	Progressive Scan	
	Total Pixels	1945(H) x 1109(V), 2.16 Mega Pixels	
	Effective Pixels	1945(H) x 1097(V), 2.13 Mega Pixels	
Image Settings		Brightness, Contrast, Saturation, Sharpness, White Balance, Motion Detection, Exposure Control, Rotation of Images Privacy Masking (15 Zones), BLC, AGC, WDR, 3DNR, Sens-up	
Lens	Focal Length	Board Lens, 3.6mm	
	F.O.V	H92° x V49° x D110°	
	Minimum Illumination	0.05Lux / Sen-up: 0.005 Lux	
Network	Interface	RJ45 10/100 Base-T PoE	
	Protocol	TCP/IP, UDP/IP, DHCP, AUTO IP, JGMP, ICMP, HTTP, UPnP, FTP, SMTP, SNMP, RTSP	
	Video Codec	H.264 Main Profile Motion JPEG	
	Resolutions (H.264/MJPEG)	H.264: MAX 1920x1080@30fps, MJPEG: MAX 1280x720@30fps	
	Video Streaming	3 Channel Stream at different frame rate and bandwidth	
	Onvif	profile S:spec 2.4	
MicroSD	Micro SD	Max. 256GB (Built-in Card Slot) / FileZila FTP sd-card available for download	
	Power	PoE Class 3 (IEEE 802.3af), 12VDC Max. 130 mA	
Genera	Operating Conditions	Temperature: -20°C ~ +50°C, Humidity MAX. 80% RH(non-condensing)	
	Storage Conditions	Temperature: -30°C ~ +60°C, Humidity MAX. 90% RH(non-condensing)	
Default IP		192.168.0.150	
		ID: admin, P/W: admin	
IP Cam Installer		https://tinyurl.com/27o5b8zf	

7. Package Contents

