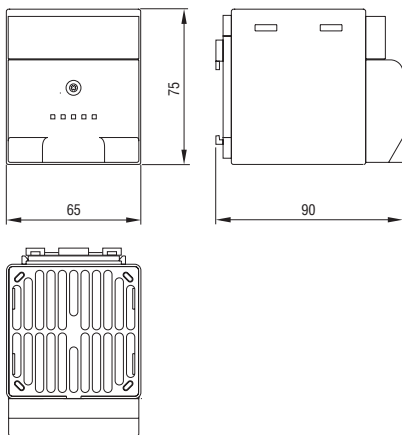




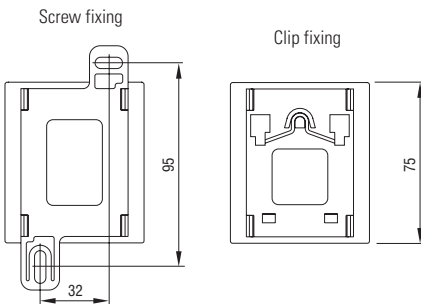
- Small, compact design**
- Quiet in operation**
- Dynamic heating up**
- Clip or screw fixing**

Fan heater prevents formation of condensation and provides an evenly distributed interior air temperature in enclosures with electric/electronic components. The heater is connected using the internal terminal connectors. The CS 028's small size make it ideal for use in enclosures where space is at a premium.

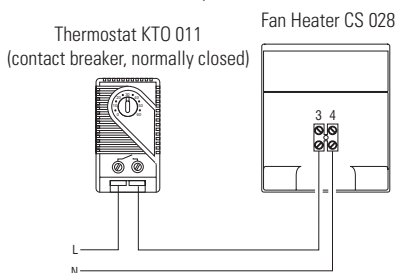
Specifications are subject to change without notice. Errors and omissions excepted. Suitability of this product for its intended use and any associated risks must be determined by the end customer/ buyer in its final application. 28.07.2008



View: back side



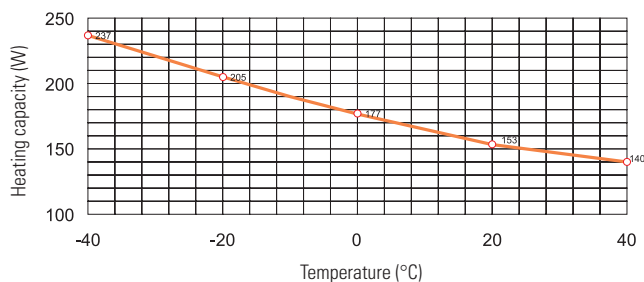
Example of connection



Technical Data

Heating element	PTC heating element
Inrush current	max. 12 A at 230VAC, 6 A at 120VAC
Surface temperature	max. 50°C at casing; 100°C at upper protective grille at 20°C (68°F) ambient temperature
Axial fan, ball bearing	air flow 13.8 m³/h, free flow (service life 40,000h at 40°C)
Connection	2-pole clamp max. 2.5mm², clamping screw torque 0.8Nm max.
Casing	plastic according to UL94-0, black
Mounting	clip for 35 mm DIN rail, EN 60715 or screw fixing (Ø 5.3 mm)
Fitting position	vertical
Weight	approx. 0.3kg
Operating / Storage temperature	-45 to +70°C (-49 to +158°F)
Protection type / Protection class	IP20 / II (double insulated)
Note	other voltages on request

Heating capacity / Ambient temperature diagram
CS 028 (150W)



Art. No.	Operating voltage	Heating capacity*	Dimensions	Mounting	Approvals
02800.0-00	230VAC, 50/60Hz	150W	87 x 65 x 75mm	Clip fixing	VDE; (UL submitted)
02800.0-01	230VAC, 50/60Hz	150W	87 x 65 x 114mm	Screw fixing	VDE; (UL submitted)
02800.9-00	120VAC, 50/60Hz	150W	87 x 65 x 75mm	Clip fixing	UL submitted
02800.9-01	120VAC, 50/60Hz	150W	87 x 65 x 114mm	Screw fixing	UL submitted

*at 20°C (68°F) ambient temperature