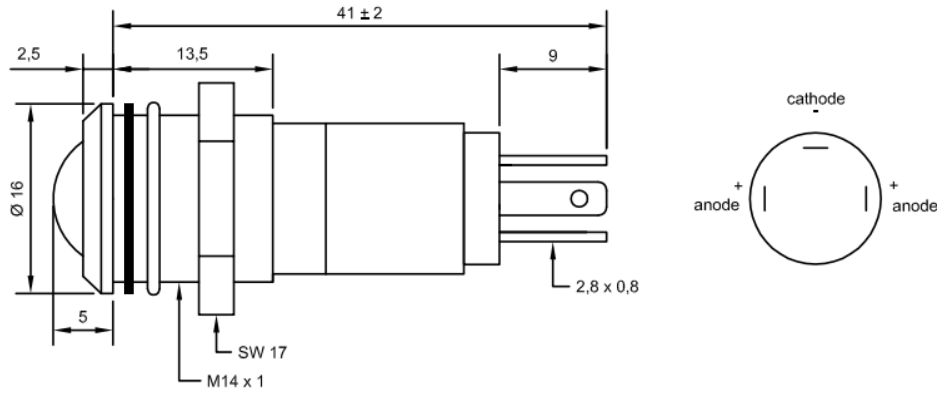


Part Number: 1927X35X

Type	Size	Rating	Description
LED	M14	24Vac/dc	Standard Bezel Panel Indicator



Part #	Colour	Current (mA)	Intensity (mcd)
1927X350	Red	9/18	100
1927X351	Green	9/18	60
1927X352	Yellow	9/18	50
1927X357	Blue	9/17	1000
1927X35WA	White	9/17	3000

Notes:

- 1 X = Chrome Bezel finish. 0 = Satin, 1 = Black, 2 = Matt
- 2 Electrical & optical data are measured at an ambient temperature of 25°C
- 3 Storage temperature -25 °C to +80°C
- 4 Application temperature -20 °C to +60°C
- 5 Voltage tolerance  $\pm 10\%$
- 6 Due to component tolerances, colour temperature variations may be observed
- 7 The terminals are not qualified for soldering
- 8 It does not matter which of the terminals (+) are used for the lamp test
- 9 Degree of protection IP67 when used with the supplied gasket
- 10 The plastic (polycarbonate) has limited chemical resistance
- 11 RoHS & REACH SVHC compliant