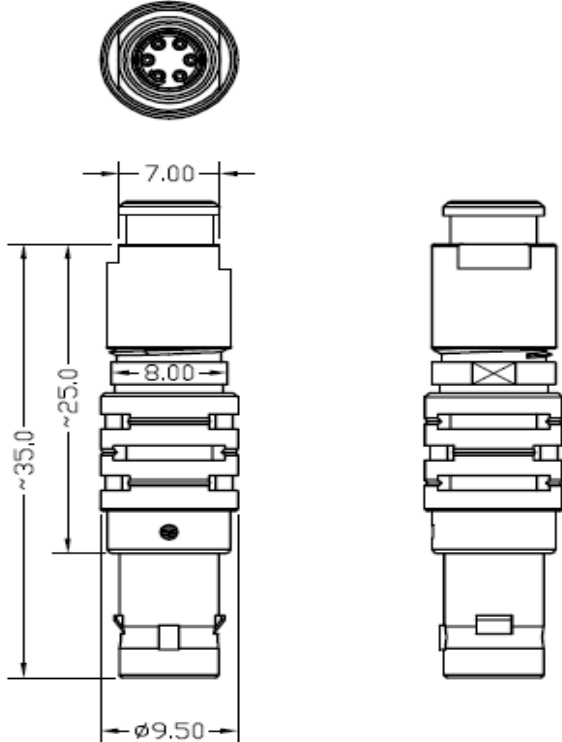


VIEW FROM TERMINATION SIDE PIN PART

- NOTE:
- MATERIAL AND FINISH
 - SHELL ASSEMBLY: COPPER ALLOY, OUTER SHELL AND COLLET NUT Cr PLATING, OTHER METALLIC COMPONENTS NI PLATING
 - INSULATOR: PEEK
 - CONTACT: COPPER ALLOY, GOLD PLATING
 - RoHS COMPLIANCE
 - CRIMP CONTACT DETAILS SHOWN IN VIEW 1
 - PART NO.



R - F 0 B S * * 0 * D 1 * * *

CONTACT POS.	02-09=2pin-09pin
SHELL MATERIAL	0=Brass

CABLE OD	
21=OD:	1.4mm-2.2mm
31=OD:	2.2mm-3.2mm
42=OD:	3.2mm-4.2mm
52=OD:	4.1mm-5.0mm
56=OD:	5.2mm-5.6mm

CODE	KEY ANGLES
0	0
A	30°
B	60°
..	..

COLLET NUT
1=Nut for fitting a bend relief

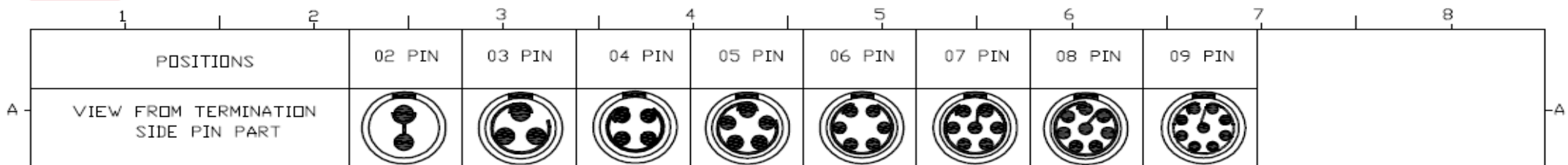
CODE	CONTACT TYPE
2	Male Solder Contact
4	Female Solder Contact
<input checked="" type="checkbox"/> C	Crimp Male Contact
<input checked="" type="checkbox"/> M	Crimp Female Contact
1	Male Print Contact
3	Female Print Contact

UNITS	
<input checked="" type="checkbox"/> mm	<input type="checkbox"/> INCH
GENERAL TOLERANCES: (UNLESS SPECIFIED)	
	mm
4 PLACE	± **.10
3 PLACE	± 0.10
2 PLACE	± 0.30
1 PLACE	± 0.50
ANGULAR:	X°± 2°

NAME: SNAP LATCH METAL 08 PLUG
D1***
APPD: Seawen 5/13'15
CHKD: Peter 5/13'15
DRAWN: Alex 5/13'15

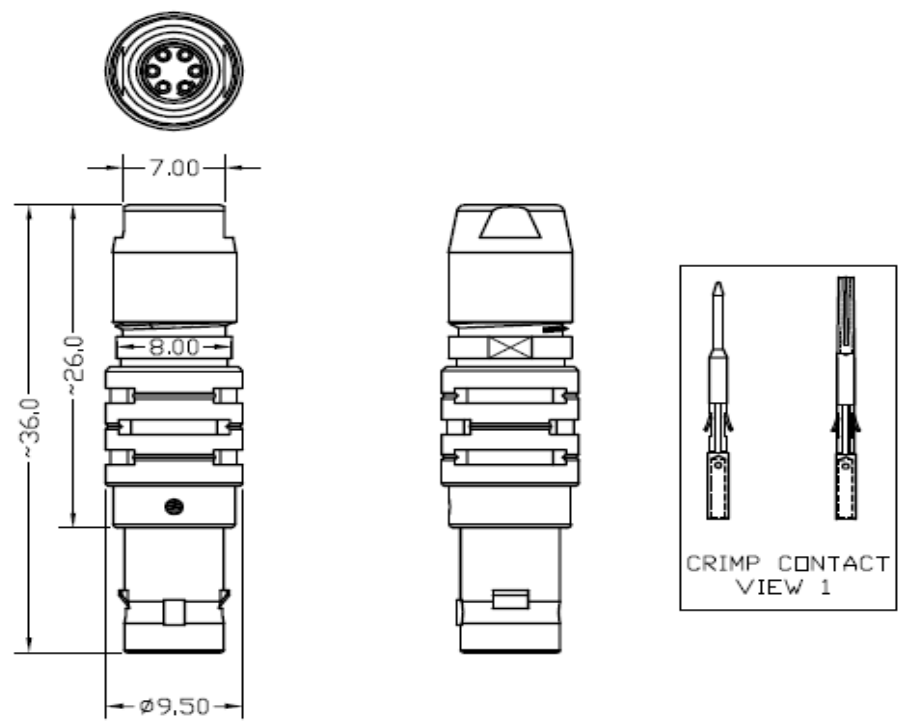
TITLE: CUSTOMER DWG.
DWG NO: 010-0000-B20
SCALE: 2.5/1
SHEET: 1/3
REV.: A

REV. A	ECN-150053	5/13'15	Seawen
REV.	DESCRIPTION	DATE	APPD



NOTE:

- MATERIAL AND FINISH
 - SHELL ASSEMBLY: COPPER ALLOY, OUTER SHELL AND COLLET NUT Cr PLATING, OTHER METALLIC COMPONENTS NI PLATING
 - INSULATOR: PEEK
 - CONTACT: COPPER ALLOY, GOLD PLATING
- RoHS COMPLIANCE
- CRIMP CONTACT DETAILS SHOWN IN VIEW 1
- PART NO.



R - F 0 B S * * 0 * D 2 * * *

CONTACT POS.	02-09=2pin-09pin
SHELL MATERIAL	0=Brass

CABLE OD	
21=OD:	1.4mm-2.2mm
31=OD:	2.2mm-3.2mm
42=OD:	3.2mm-4.2mm
52=OD:	4.1mm-5.0mm
56=OD:	5.2mm-5.6mm

CODE	KEY ANGLES
0	0
A	30°
B	60°
..	..

COLLET NUT	
2=	Nut for Standard

CODE	CONTACT TYPE
2	Male Solder Contact
4	Female Solder Contact
<input checked="" type="checkbox"/> C	Crimp Male Contact
<input checked="" type="checkbox"/> M	Crimp Female Contact
1	Male Print Contact
3	Female Print Contact

UNITS		
<input checked="" type="checkbox"/> mm	<input type="checkbox"/> INCH	
GENERAL TOLERANCES: (UNLESS SPECIFIED)		
	mm	INCH
4 PLACE	± **.05	± **.002
3 PLACE	± 0.10	± **.004
2 PLACE	± 0.30	± **.012
1 PLACE	± 0.50	± **.020
ANGULAR:	X°± 2°	X°± **.087

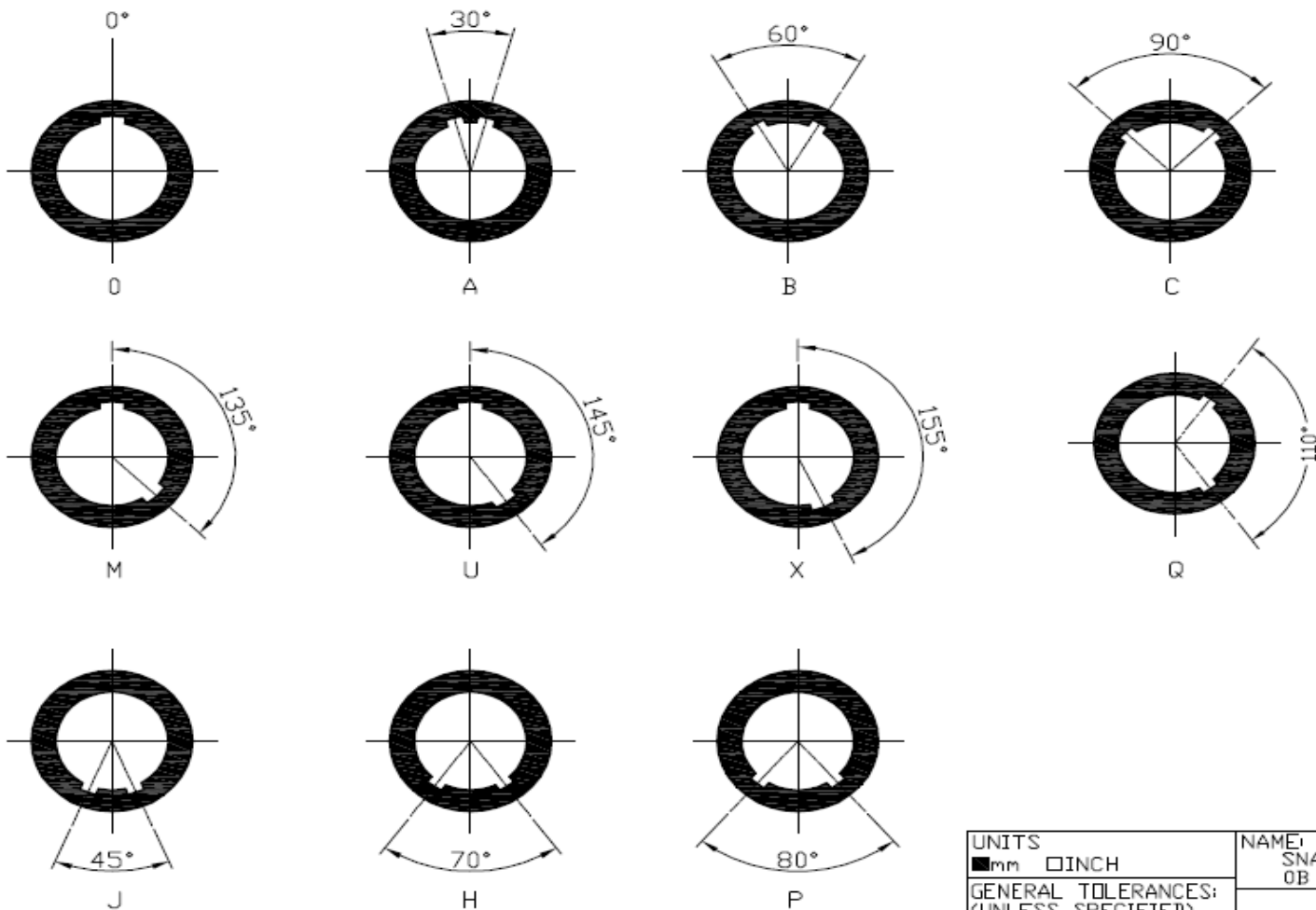
NAME: SNAP LATCH METAL 0B PLUG
D2***
APPD: Seawen 5/13'15
CHKD: Peter 5/13'15
DRAWN: Alex 5/13'15

TITLE: CUSTOMER DWG.
DWG NO: 010-0000-B20
SCALE: 2.5/1
SHEET: 2/3
REV.: A

REV.	DESCRIPTION	DATE	APPD
A	ECN-150053	5/13'15	Seawen



KEY ANGLES (RECEPTACLE FRONT VIEW):



A	ECN-150053	5/13/15	Seawen
REV.	DESCRIPTION	DATE	APPD

UNITS <input checked="" type="checkbox"/> mm <input type="checkbox"/> INCH		NAME: SNAP LATCH METAL OB PLUG	
GENERAL TOLERANCES: (UNLESS SPECIFIED)		TITLE: CUSTOMER DWG.	
	mm	INCH	
4 PLACE	± **.05	± **.002	APPD: Seawen 5/13/15
3 PLACE	± 0.10	± **.005	CHKD: Peter 5/13/15
2 PLACE	± 0.30	± **.015	
1 PLACE	± 0.50	± **.030	DRAWN: Alex 5/13/15
ANGULAR:	X° ± 2°	X° ± **.05	
	SCALE: 2.5/1	SHEET: 3/3	REV.: A
		DWG NO: 010-0000-B20	C