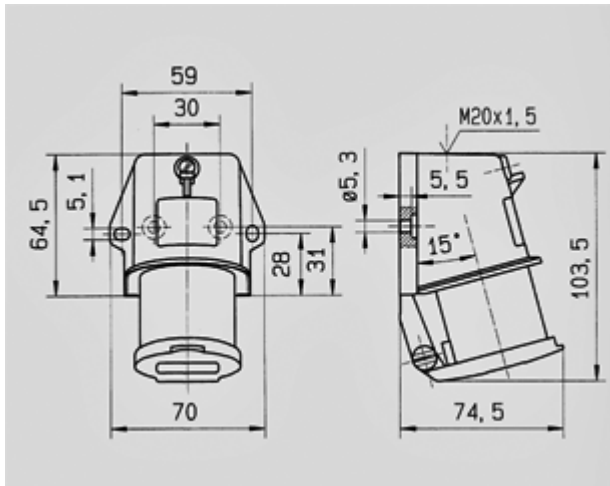


Wall mounted inlet - Part no. 847

- screw terminals
- with hinged lid
- for internal or external fixing
- cable entry also possible from top or from the rear

Protection type	IP 44
Ampere	16 A
Poles	3p
Voltage	230
Hertz	50-60Hz
Earth position	6h
Contact	standard
Connection technology	Screw terminals

Std. Pack. 10 Qty.



Drawing
2 MB 212

Dim. in mm