



English

Datasheet

Stock No: 814-023

# RS Pro Female UNC 4-40 Screwlock For Use With D Connector

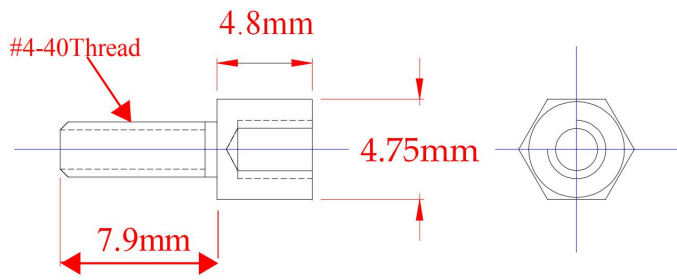


## Product Details

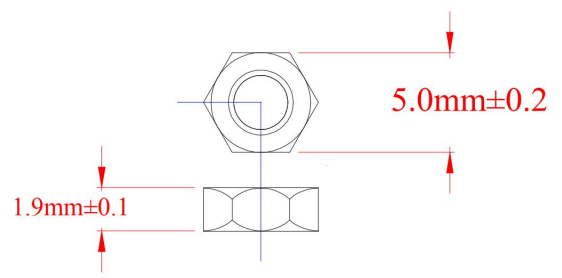
### Zinc Plated Screwlock Assemblies

- Assemblies consisting of three types: Male clip; Female (8mm thread length);
- Female (13mm thread length), extended thread for plastic flange 'D' connectors
- Thread size is 4-40 UNC
- Supplied disassembled

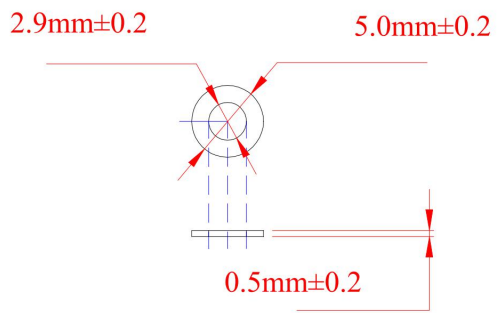
Attribute	Value
Type	Screwlock
Thread Size	UNC 4-40
Screw Length	8mm
Connector Type	D Connector
Screwlock Gender	Female
For Use With	D Connector
Finish	Zinc
Material	Copper C3604
Density	8.5g / cm <sup>3</sup>
Tensile strength / MPa	≥335
Vickers hardness HV (≥0.5)	≥80
Torque	2.93Nm



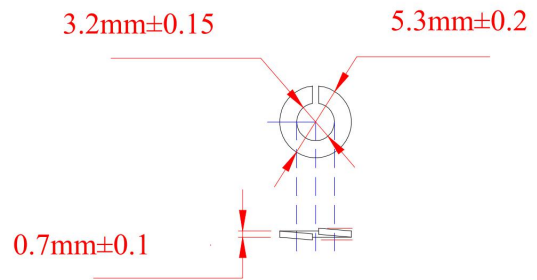
Brass Hex Locking Screw with Zinc  
4-40UNC Inner And Outer Thread



Brass Hex Nut with Nickle Plated  
4-40UNC Inner Thread



Steel Flat Washer with Nickle Plated



Steel Split Washer with Nickle Plated