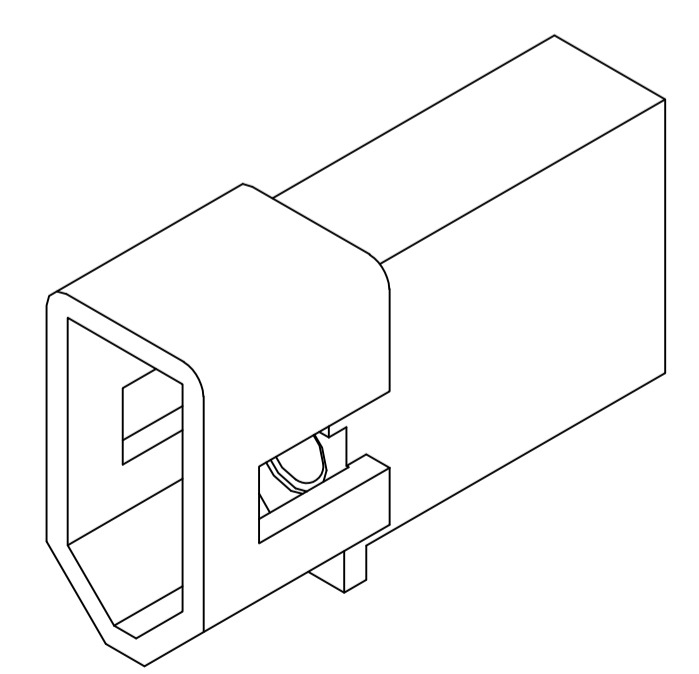
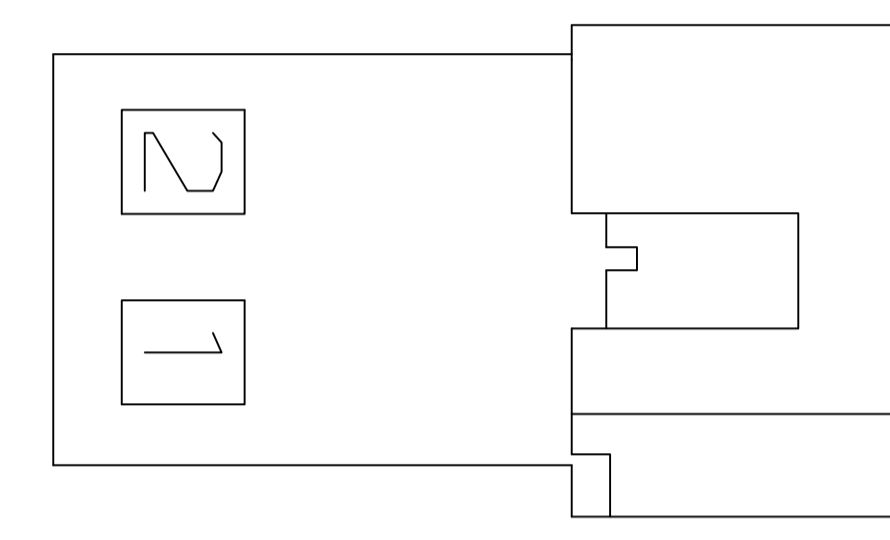
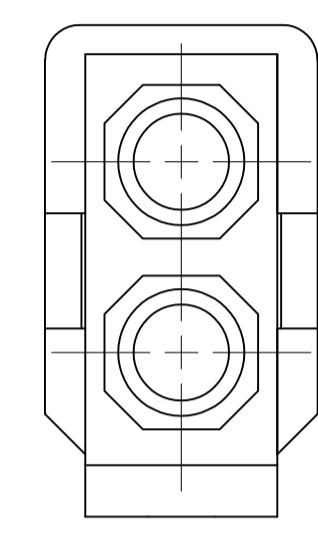
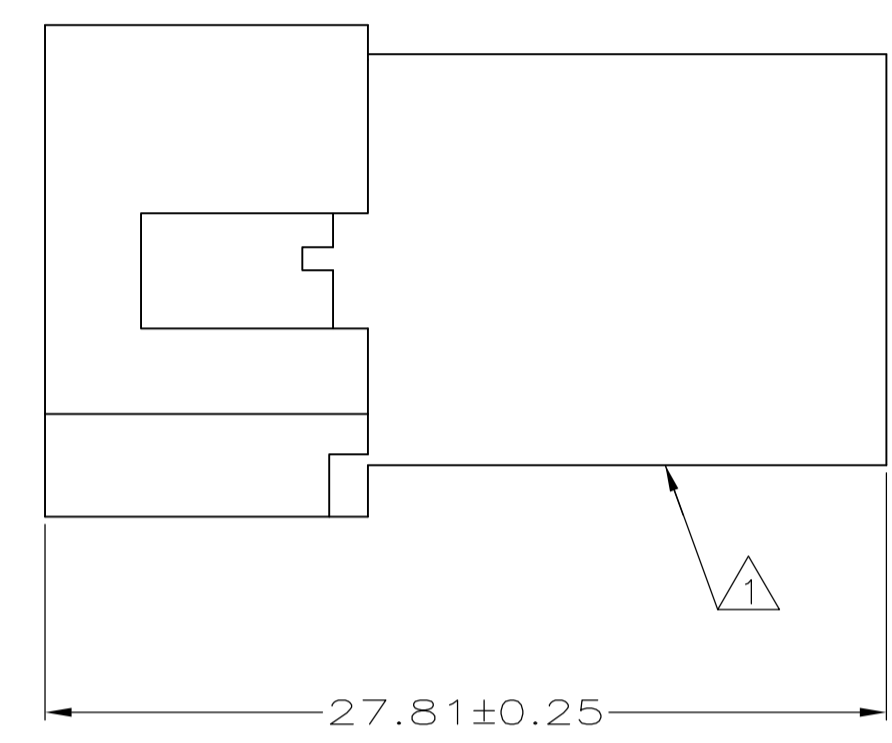
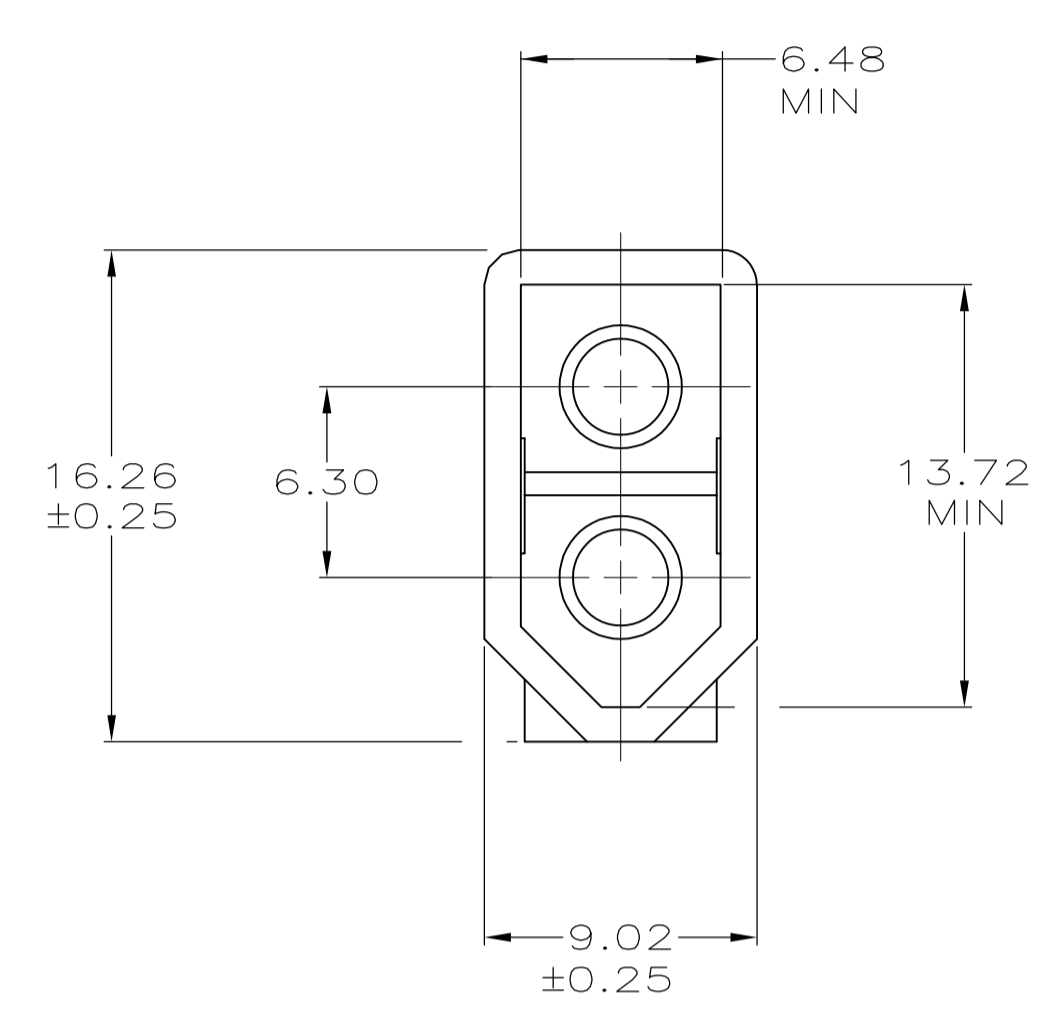


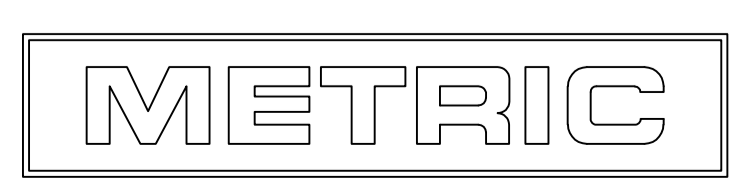
△ MARKING FOR UL AND CSA LOGOS LOCATED ON THIS SURFACE.



3-DIMENSIONAL MODEL NTS

27.81	1.095
16.26	.640
13.72	.540
9.02	.355
6.48	.255
6.30	.248
2.36	.093
0.25	.010
0.13	.005
MM	IN

CONVERSION TABLE



770069-1
PART NUMBER

THIS DRAWING IS A CONTROLLED DOCUMENT.		DIN K. WHITAKER 2-24-98	
		CHK R. SWING 2-24-98	
DIMENSIONS: mm		APVD K. COBLE 2-24-98	NAME
0. PLC ± - 1. PLC ± - 2. PLC ± 0.13 3. PLC ± - 4. PLC ± - ANGLES ± -		PRODUCT SPEC	PLUG, 2 CIRCUIT, .093 PIN AND SOCKET
MATERIAL NYLON, UL 94V-2,NATURAL		FINISH	RESTRICTED TO
		WEIGHT	SIZE A1
		CUSTOMER DRAWING	SCALE 4:1 SHEET 1 OF 1 REV M1