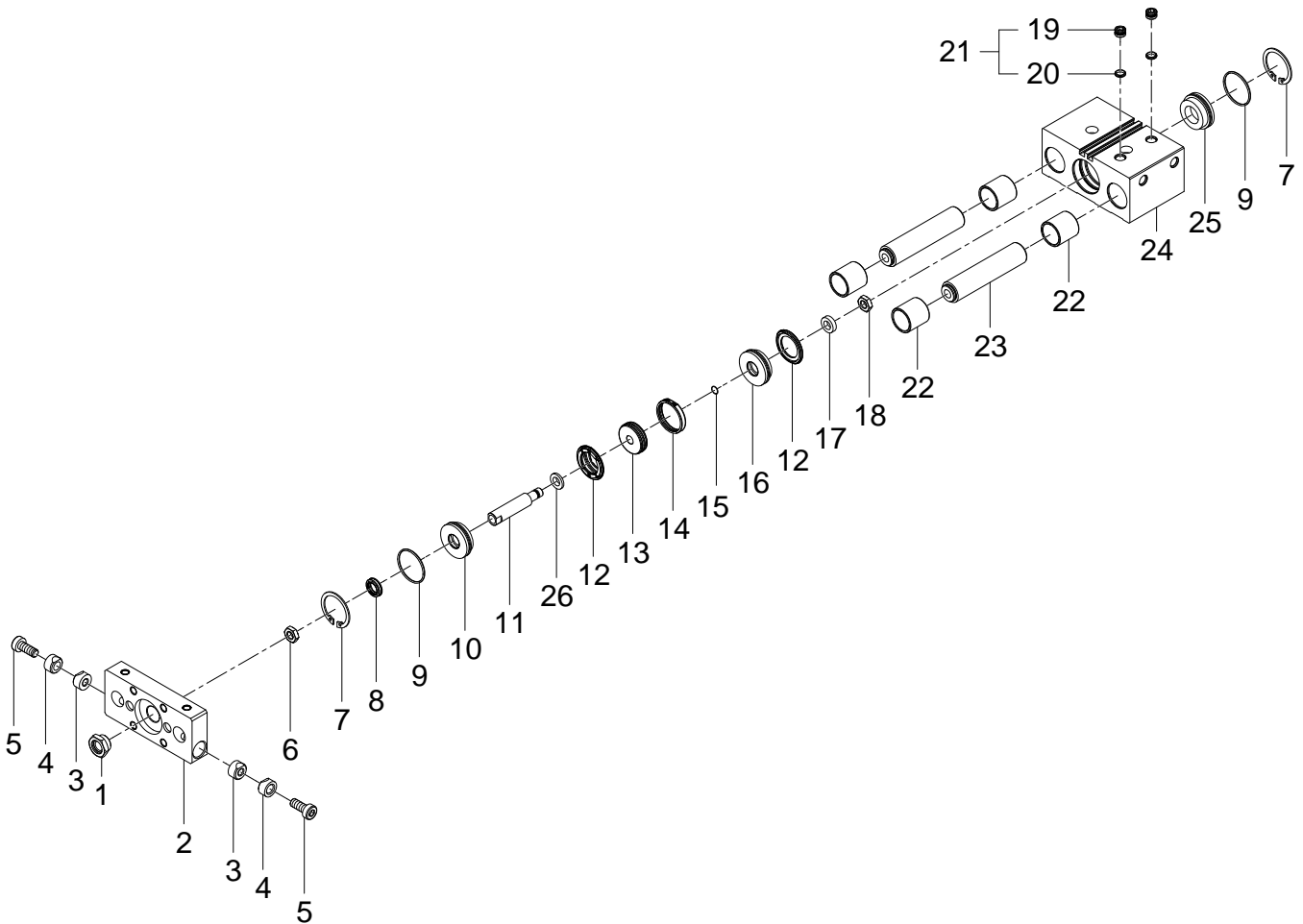


170871 DFM-50-25-P-A-GF Guided drive - Series till 03-2015



170871 DFM-50-25-P-A-GF Guided drive - Series till 03-2015

Pos.	Part no.	Type	Note	Qty.	Unit
A	383668	DFM- 50-PA Set of wearing parts	Spare parts: 8, 9, 12, 15, 20, 26 Replacing the wearing parts	1	PC
1	377740	M12X1,25 Collar nut	Use locking compound 8181256 CYBERBOND TM44 Tightening torque 37.8 Nm / 27.9 lbf ft	1	PC
2	671948	DFM-50-P-A End plate		1	PC
3	368225	M 8 Clamping piece		2	PC
4	368224	M 8 Clamping piece		2	PC
5	354152	DIN 6912-M8X20-8.8 Socket head screw	Use locking compound 8181256 CYBERBOND TM44 Tightening torque 24 Nm / 17.7 lbf ft	2	PC
6	387996	M12X1,25-1.0715 Hex nut	Use locking compound 8181256 CYBERBOND TM44 Tightening torque 37.8 Nm / 27.9 lbf ft	1	PC
7	388304	J-51 Retaining ring		2	PC
8		WIFC1-16X20,5X4-TPE-U Wiper seal	Not available separately, see position A Lubricate with 684474 LUB-KC1 during assembly	1	PC
9		B-48X1,5-N-NBR70 O-ring ISO3601	Not available separately, see position A Lubricate with 684474 LUB-KC1 during assembly	2	PC
10	713440	DFM- 50- -P-A Bearing cap		1	PC
11	368213	KS D02 16 S0036.5 Piston rod		1	PC
12		PEFC1-50-TPE-U Piston seal	Not available separately, see position A Lubricate with 684474 LUB-KC1 during assembly	2	PC
13		AEVU- 50 Piston magnet	Not available	1	PC
14	338255	46,8X41,5X4,5 Ring magnet		1	PC
15		B-10X1,5-N-NBR75 O-ring ISO3601	Not available separately, see position A Lubricate with 684474 LUB-KC1 during assembly	1	PC
16		ADVU- 50 Piston	Not available	1	PC
17	338413	DIN 7349-10,5 Disc		1	PC
18	211437	DIN 439-B-M10X1,25-04 Hex nut	Use locking compound 8181256 CYBERBOND TM44 Tightening torque 23 Nm / 17.0 lbf ft	1	PC
19		G1/4A Plug screw	Not available separately, see position 21	2	PC
20		9,4X12,2X3,6 Sealing ring	Not available separately, see position 21+999	2	PC
21	116516	G1/4 Plug screw		2	PC
22		DFM-50 Plain bearing	Not available	4	PC
23	368199	DFM-50/63-25-P-A-GF Guide rod		2	PC
24		DFM- 50- 25PA Housing	Not available Lubricate with 684474 LUB-KC1 during assembly	1	PC
25		DFM- 50- PA End cap	Not available	1	PC
26		DFM-50/63 Cushioning ring	Not available separately, see position A	1	PC