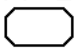
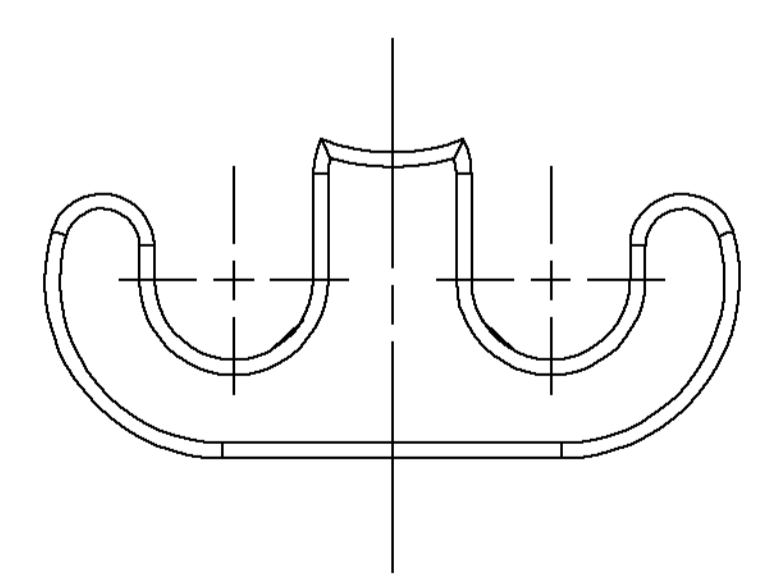
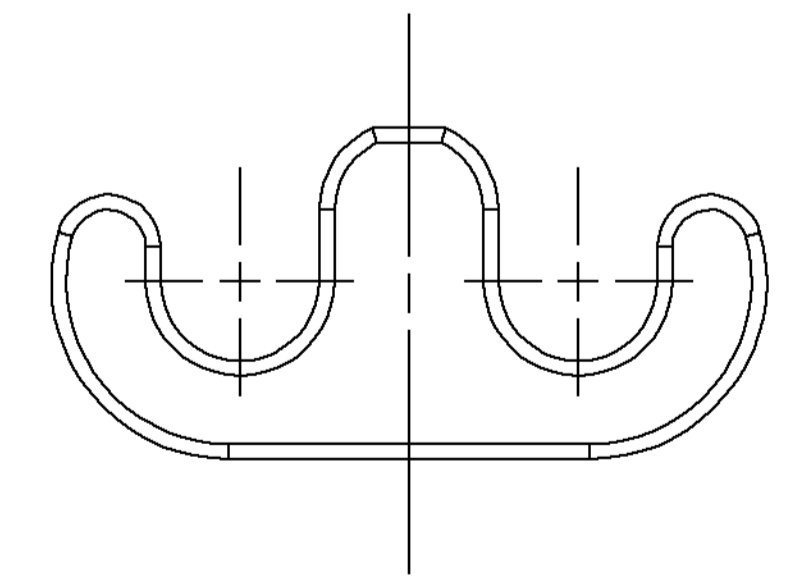
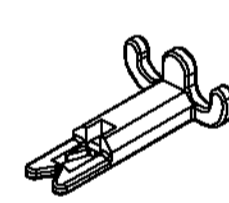
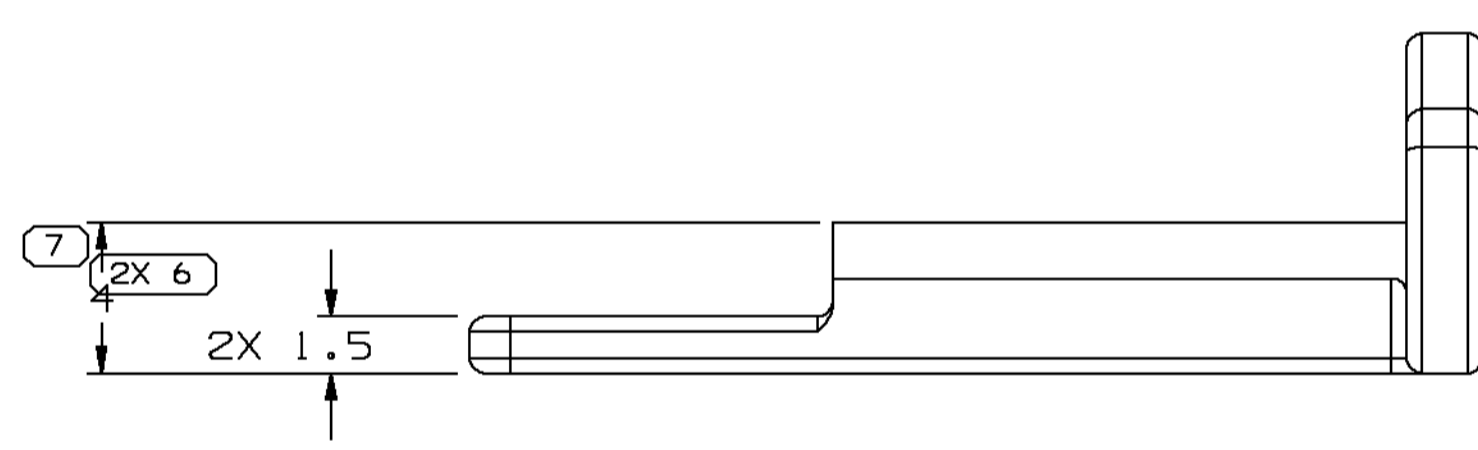
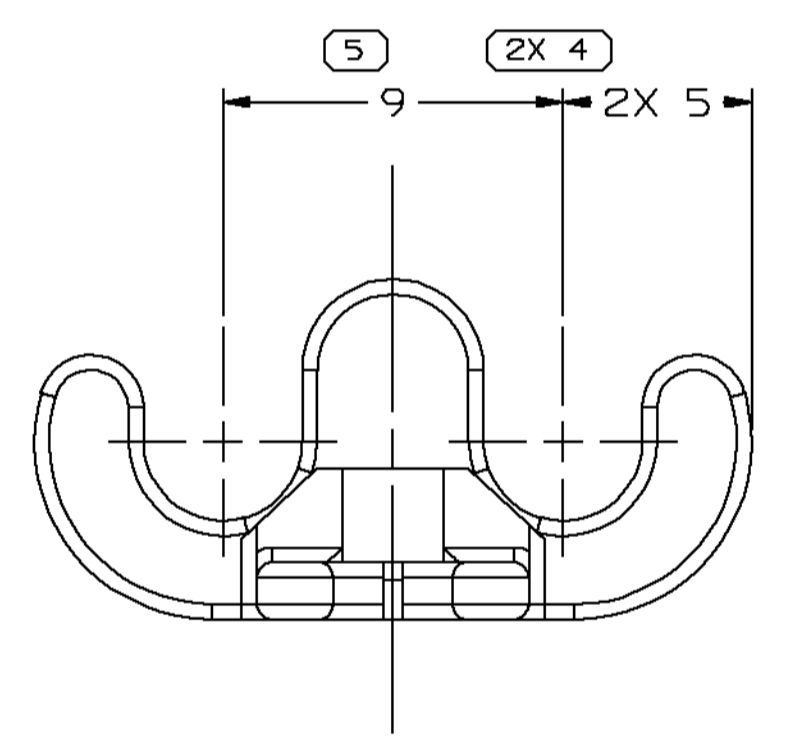
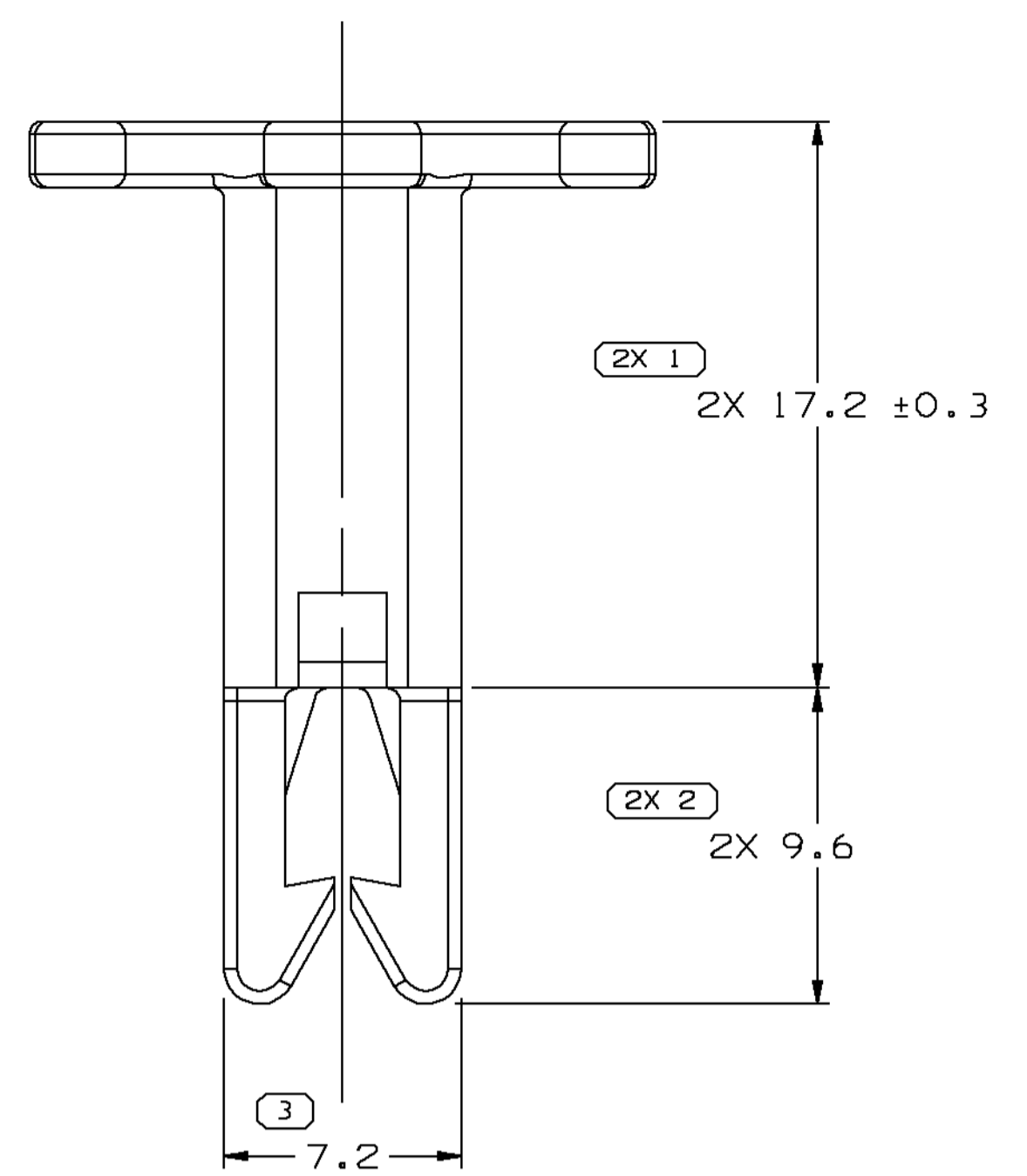




DELPHI PACKARD ELECTRIC SYSTEMS
WARREN, OHIO 44486

SYMBOL DEFINITION	
A DIMENSION WITHOUT AN INSPECTION REPORT SYMBOL  DOES NOT REQUIRE INSPECTION. IT MAY BE CONTROLLED ON THE INDIVIDUAL COMPONENT DRAWING.	TOTAL NO OF INSPECTIONS REQUIRED
	11
	LAST NO. USED
	7

MISSING SYMBOLS		DWG STATUS			REVISION HISTORY			AUTH	DR	CK	APVD
DATE	STG	REV	CHG	N/P	ZONE						
14JL00	R	F1	-	-		UPDATED PDM ATTRIBUTES	202247	RH	GEG	JH	
31AU00	R	F2	-	-		ADDED OPTIONAL CONSTRUCTIONS	203122	RH	GEG	JH	
06JN01	R	F3	-	-		MAT'L SPEC WAS R0071781 PA66 HS 1M-GRA MD	210298	RH	GEG	JH	


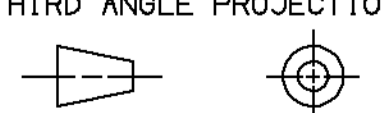


 OPTIONAL CONSTRUCTION (1)
SAME AS ORIGINAL EXCEPT AS SHOWN

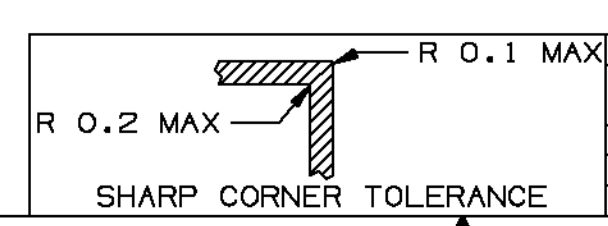
 OPTIONAL CONSTRUCTION (2)
SAME AS OPTIONAL CONSTRUCTION (1)
EXCEPT AS SHOWN

NOTES

- UNLESS OTHERWISE SPECIFIED AND/OR INDICATED: DIMENSIONS ARE TO FACE OF VIEW SHOWN AND AUTOMATICALLY ROUNDED BY COMPUTER FOR INSPECTION (SEE MATH MODEL FOR PRECISE DIMENSIONS). FOR ALL OTHER DIMENSIONS NOT SHOWN BUT REQUIRED FOR TOOL BUILD, SEE MATH MODEL FOR PRECISE TOOL PATH DATA.
- THIS PART IS NOT CONTROLLED FOR AUTOMATIC FEEDING.
- MATING COMPONENTS OR EQUIVALENT: CONNECTOR 12034269

DELPHI Automotive Systems			
MATERIAL SPEC R0071784 PA66 HS 1M-GRA MD			
SUBSTANCES OF CONCERN AND RECYCLED CONTENT PER DELPHI-A 10949001			
PART DRAWING			DISTR CODE D
CODE NUMBER 6900,6901	DWG DATE 180C00	SCALE 5:1	
QC SPEC -C-4004, -R-4017	STYLE	VOLUME cm ³ 0.519	
PART GEOMETRY 3D SOLID	UNLESS OTHERWISE SPECIFIED: THIS DOCUMENT IS IN ACCORDANCE WITH ASME Y14.5M - 1994 AS AMENDED BY THE GM GLOBAL DIMENSIONING AND TOLERANCING ADDENDUM - 1997. ALL GEOMETRIC TOLERANCES AND RELATED DATUMS APPLY RFS. RULE #1 (PERFECT FORM AT MMC) DOES NOT APPLY WHEN RELATIONSHIP BETWEEN FEATURES IS ESTABLISHED BY ORIENTATION OR LOCATION TOLERANCES. SEPARATE POSITION CALLOUTS MAY BE GAGED SEPARATELY REGARDLESS OF DATUM REFERENCES.		
 CHANGE RESTRICTED NO MANUAL CHANGES	REFERENCE	DR	DATE
COPY OF MATH DATA DO NOT SCALE		APVD1 R. HERMOSILLO	180C00
		APVD2 G. ESTRADA	31MY01
		APVD3 J. HORIUCHI	01JN01
		APVD4	
		APVD5	
METRIC UNLESS OTHERWISE SPECIFIED, ALL DIMENSIONS ARE IN MILLIMETERS	DRAWING NAME TPA M/P 630		
THIRD ANGLE PROJECTION 	SHEET NUMBER OF 1	DRAWING NUMBER 12034363	DWG STATUS R F3 -
			SIZE A1

DIMENSIONAL RANGE	
FROM	TO
0	> 20
> 20	> 30
> 30	> 70
> 70	> 100
> 100	> 150
> 150	> 200
> 200	> 250
> 250	> 300
> 300	> 400



DIMENSIONAL RANGE (MM)		TOLERANCE UNLESS OTHERWISE SPECIFIED	
FROM	TO	TOLERANCE	ANGULAR TOLERANCE
0	20	±0.15	±2°
> 20	30	±0.2	±2°
> 30	70	±0.3	±2°
> 70	100	±0.4	±2°
> 100	150	±0.5	±2°
> 150	200	±0.6	±2°
> 200	250	±0.8	±2°
> 250	300	±1	±2°
> 300	400	±1.2	±2°