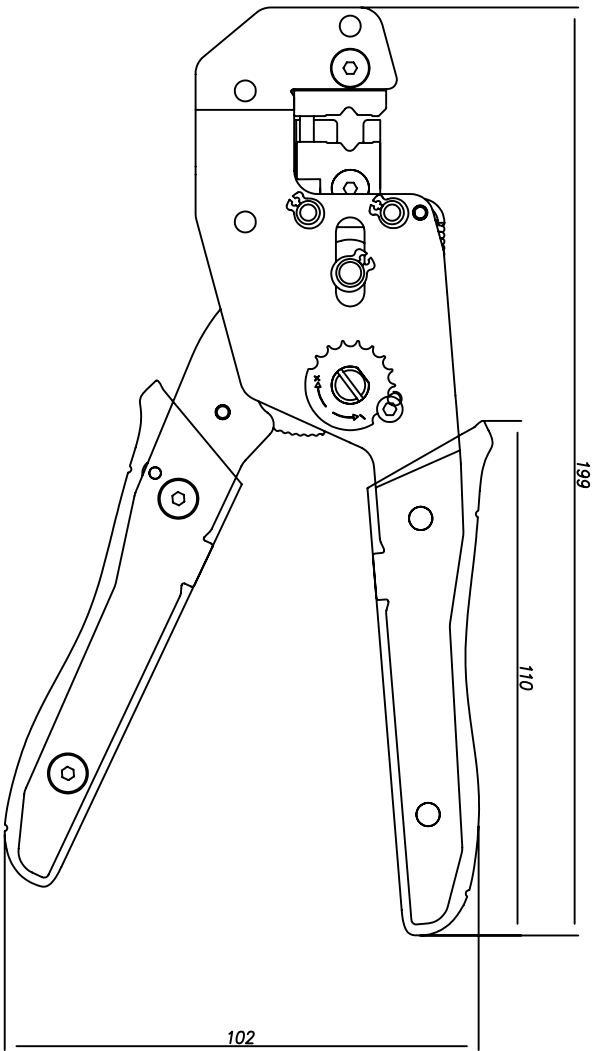
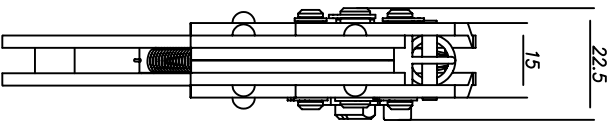


2



- Weight: 500 g
- Travel of the dies: 5,51 mm (from fully open to fully closed)



DATE	REV.	ECN	APP'D BY

PART NUMBER	2980028-01
	2980028-01-B

THIRD ANGLE PROJECTION

DO NOT SCALE DRAWING
DRAWING IS SUBJECT TO
CHANGE WITHOUT NOTICE

Bel Stewart Connector
 11118 Susquehanna Trail, South
 Glen Rock, PA 17327-9199
 (717) 235-7512 Fax: (717) 235-7954 <http://www.belstewartconnector.com>

SHEET NO. 1 OF 1

TITLE: Ferrule Handtool 2980028-01

THIS DRAWING AND THE SUBJECT MATTER SHOWN THEREON ARE CONFIDENTIAL AND THE PROPRIETARY PROPERTY OF BEL STEWART CONNECTOR AND SHALL NOT BE REPRODUCED, COPIED, OR USED IN ANY MANNER WITHOUT PRIOR WRITTEN CONSENT OF BEL STEWART CONNECTOR. THE SUBJECT MATTER MAY BE PATENTED OR A PATENT MAY BE PENDING.

DRW BY: SF	DATE: 01-24-07
APP'D BY:	DATE:
DRG. NO.	REV.

2

1

2