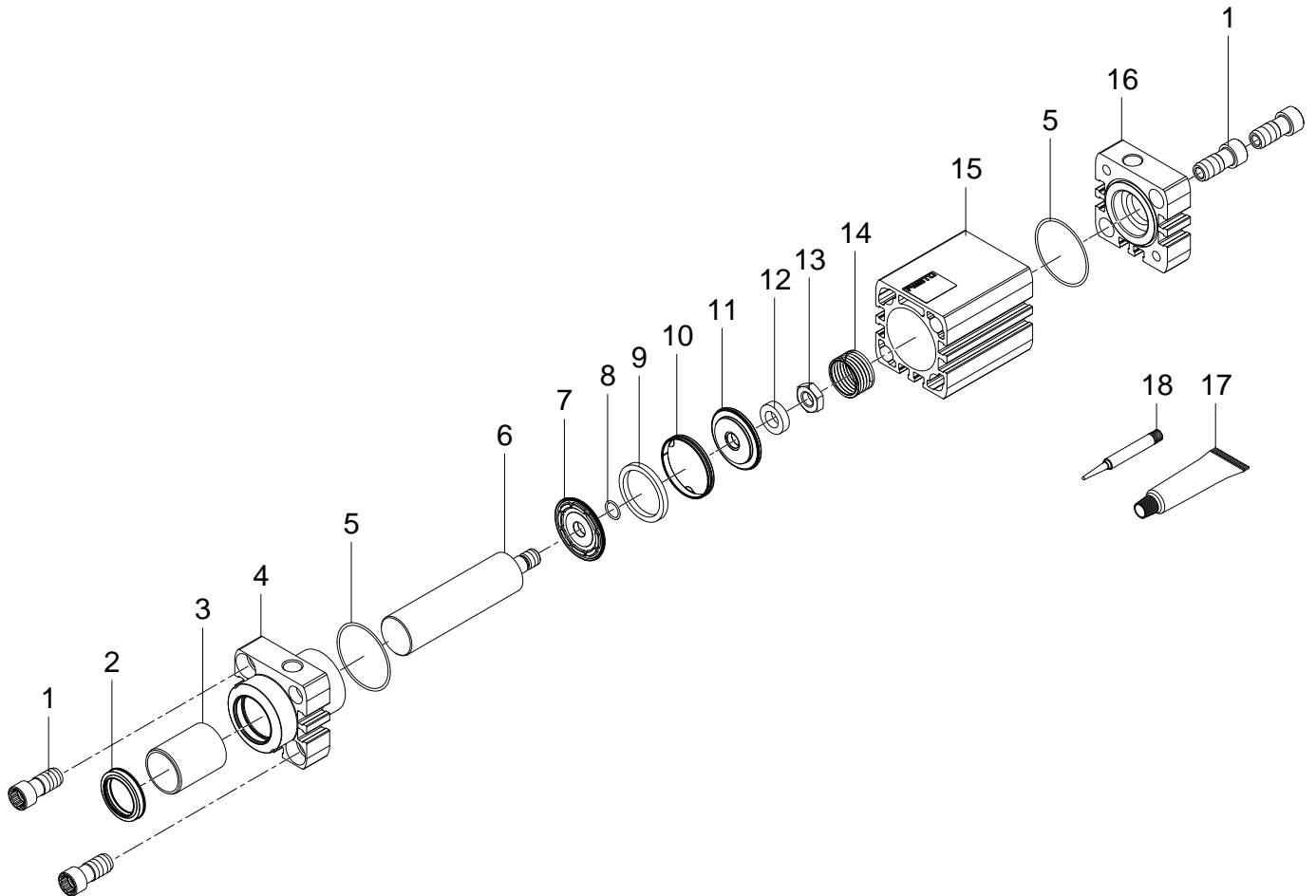


576144 DFSP-50-20-S-PA Stopper cylinder - Series: All



576144 DFSP-50-20-S-PA Stopper cylinder - Series: All

Pos.	Part no.	Type	Note	Qty.	Unit
A	8005119	DFSP-...-50 Set of wearing parts	Spare parts: 2, 5, 7, 8, 9, 10, 11, 17, 18	1	PC
1	658857	ADN-50/63 flange screw	Tightening torque 35 Nm / 25.8 lbf ft	4	PC
2	1751425	WIFC1-32X42X7-TPE-U Wiper seal	Grease using during assembly. See position 17	1	PC
3		XSM-3236-35 Plain bearing	Not available Grease using during assembly. See position 17	1	PC
4		DFSP-50 Bearing cap	Not available	1	PC
5		B-50X1,2-N-NBR70 O-ring ISO3601	Not available separately, see position A Grease using during assembly. See position 17	2	PC
6		DFSP-50-X-S Piston rod	Not available Grease using during assembly. See position 17	1	PC
7		BA-K01D-050 Piston module	Not available separately, see position A Grease using during assembly. See position 17	1	PC
8		B-11,5X1,5-N-NBR75 O-ring ISO3601	Not available separately, see position A Grease using during assembly. See position 17	2	PC
9		46,6X38,2X4,6BA-K01M-050 Ring magnet	Not available separately, see position A	1	PC
10		BA-K01F-050 Guiding band	Not available separately, see position A	1	PC
11		DFSP-50-DW Piston module	Not available separately, see position A Grease using during assembly. See position 17	1	PC
12	356376	13X20X4-1.0715 Ring		1	PC
13	203968	DIN 439-B-M12X1,25-04 Hex nut	Tightening torque 30 Nm / 22.1 lbf ft Use locking compound. See position 18	1	PC
14	8180459	DFSP-50 Compression spring		1	PC
15		DFSP-50-X Cylinder barrel	Not available Grease using during assembly. See position 17	1	PC
16		ADN-50 End cap	Not available	1	PC
17	8181256	CYBERBOND TM44 TB1ML Adhesive bonding agent		1	PC
18	684474	LUB-KC1 SILIKONFREI 20ML Lubricating grease		1	PC