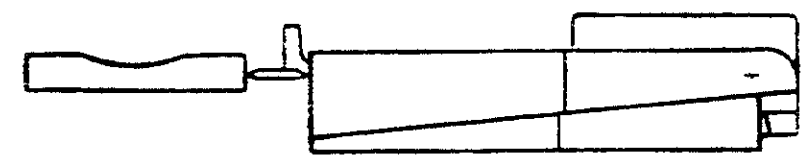


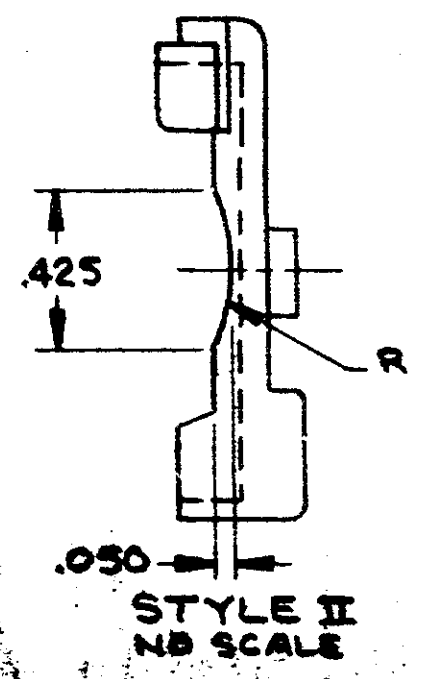
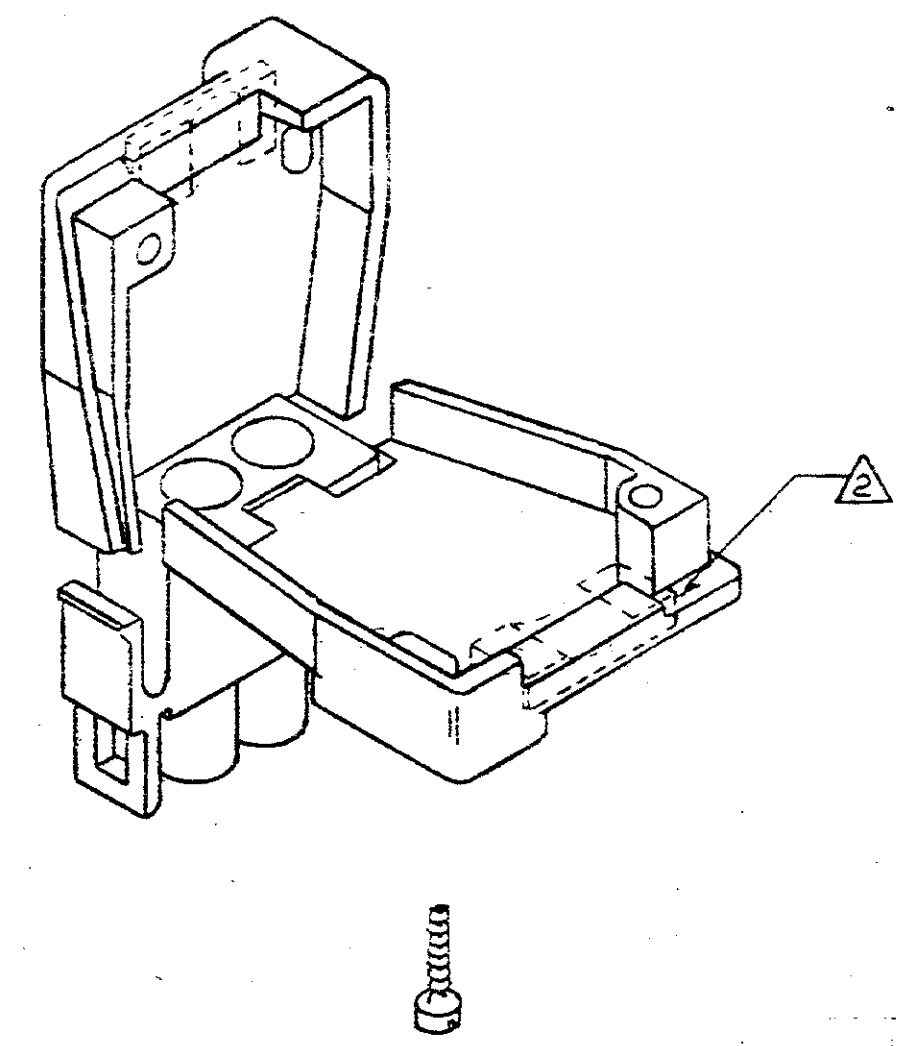
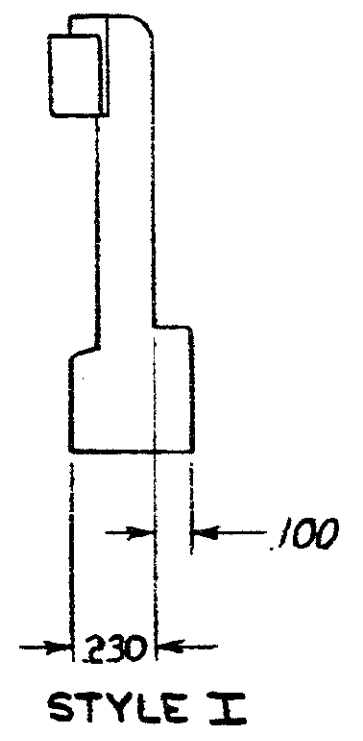
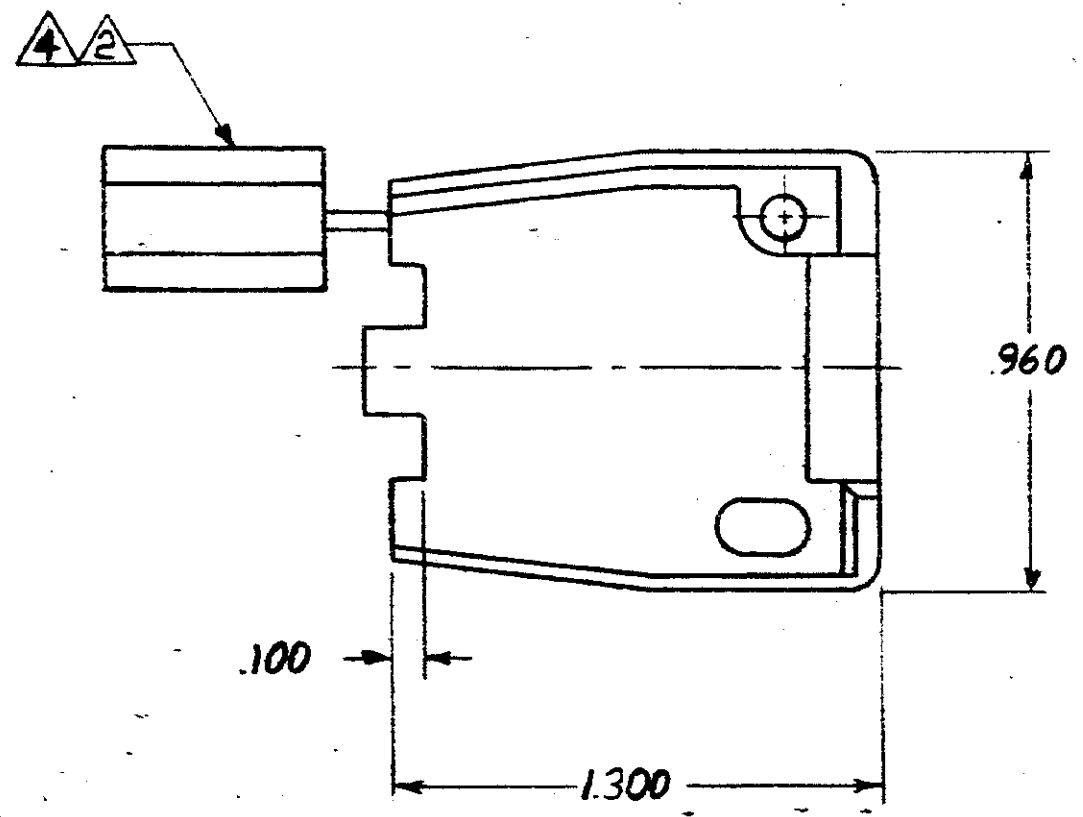
© COPYRIGHT 1978 BY AMP INCORPORATED, HARRISBURG, PA.
 ALL INTERNATIONAL RIGHTS RESERVED. AMP INCORPORATED PRODUCTS
 COVERED BY U. S. AND FOREIGN PATENTS AND/OR PATENTS PENDING.

REVISIONS						
P	F	ZONE	LTR	DESCRIPTION	DATE	APPROVED
✓	U		0	DRWG RELEASED PER M-5037	10-25-78	CE/B.H.
✓	✓		A	REVISED SCREW LENGTH M-5352	6-7-79	MSF/E.W.
✓			B	ADDED -II PER TTI 83-133	11-2-83	KW/SJ
✓			B1	RESTORATION	6-24-85	ST/dB
✓			C	REV PER ECN CM 705	12/2/86	TB/RS

- ⚠ SHEET METAL SCREWS NOT SUPPLIED.
 - ⚠ INSERT IS ATTACHED TO STRAIN RELIEF AS AN ADDITIONAL ADJUSTMENT FOR SMALL WIRE BUNDLES. IT SHOULD BE CUT OFF AND POSITIONED AS SHOWN BY DOTTED LINES.
 - ⚠ TWO REQUIRED PER CONNECTOR.
 - ⚠ STYLE II DOES NOT INCLUDE INSERT.
5. DETACHABLE INSERT MAY SEPARATE FROM STRAIN RELIEF BODY DURING SHIPPING.



(2 REQ'D) #6 x .375 LG TYPE "B" PAN HEAD SHEET METAL SCREW ⚠



STYLE	COLOR	MATERIAL	PART NO
II	NATURAL	NYLON 94V-2	1-640719-1
I	NATURAL	NYLON 94V-2	1-640719-0

WIRE BUNDLE	UNLESS OTHERWISE SPECIFIED DIMENSIONS ARE IN INCHES.	CONTRACT NO
	TOLERANCES ON: DECIMALS ± .015 ANGLES ±	DR C.ERISMAN 10-25-78
WITHOUT INSERT	MAX 2 @ .190 DIA	CHK D. Heide 11/1/78
WITH INSERT	MIN 2 @ .040 DIA	APPD J.C.M. 11-1-78
	MATERIAL SEE TABLE	APPD
	FINISH SEE TABLE	DSGN APPD
		OTHER APPD

AMP AMP INCORPORATED Harrisburg, Pa.		
NAME STRAIN RELIEF AND INSERT, 2 CIRCUIT, UNIVERSAL MATE-N-LOK™		
SIZE	CODE IDENT NO	DRAWING NO
C	00779	640719
SCALE	NTS	SHEET 1 OF 1

640719

640719