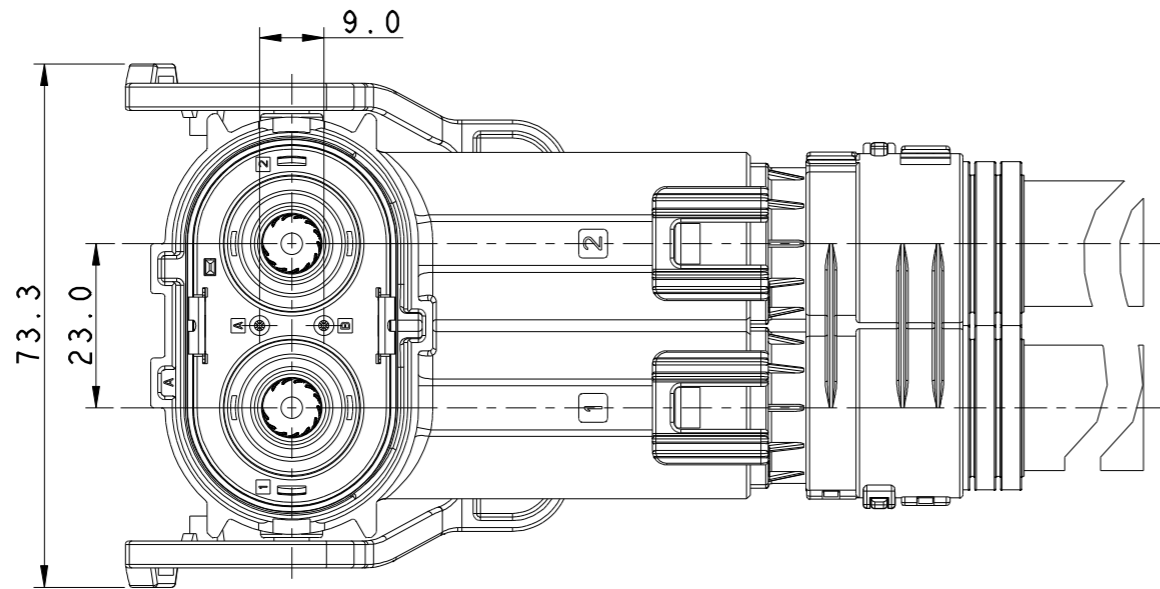
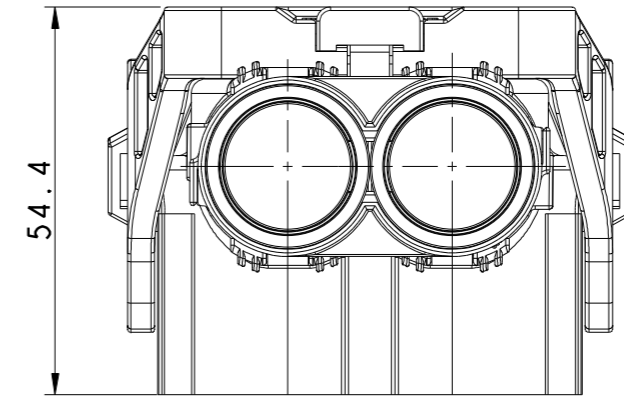
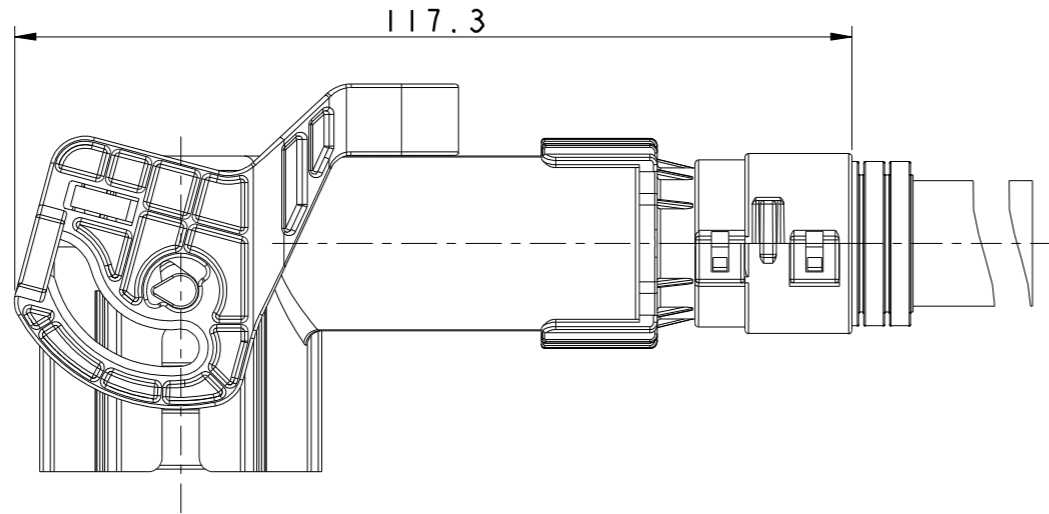


REV	ECN	DESCRIPTION	DATE	MODIFIED
1		PRE-RELEASE	Sep-27-16	

CUSTOMER DRAWING



TECHNICAL DATA	
CURRENT RATE 25MM ² WIRE	120A
CURRENT RATE 35MM ² WIRE	150A
CURRENT RATE 50MM ² WIRE	180A
VOLTAGE RATE	1000V DC
OPERRATING TEMPERATURE	-40-125°C
DIELECTRIC WITHSTANDING VOLTAGE	3000V AC
INSULATION RESISTANCE	2000M Ω
DURABILITY	50 CYCLES
SHIELDING	YES
WATERPROF(MATED CONDITION)	IP67 IP6K9K
CORROSION-PROFF GRADE(SALT FOG TEST)	96 HOURS
AMBIENT TEMPERATURE	-40-70°C

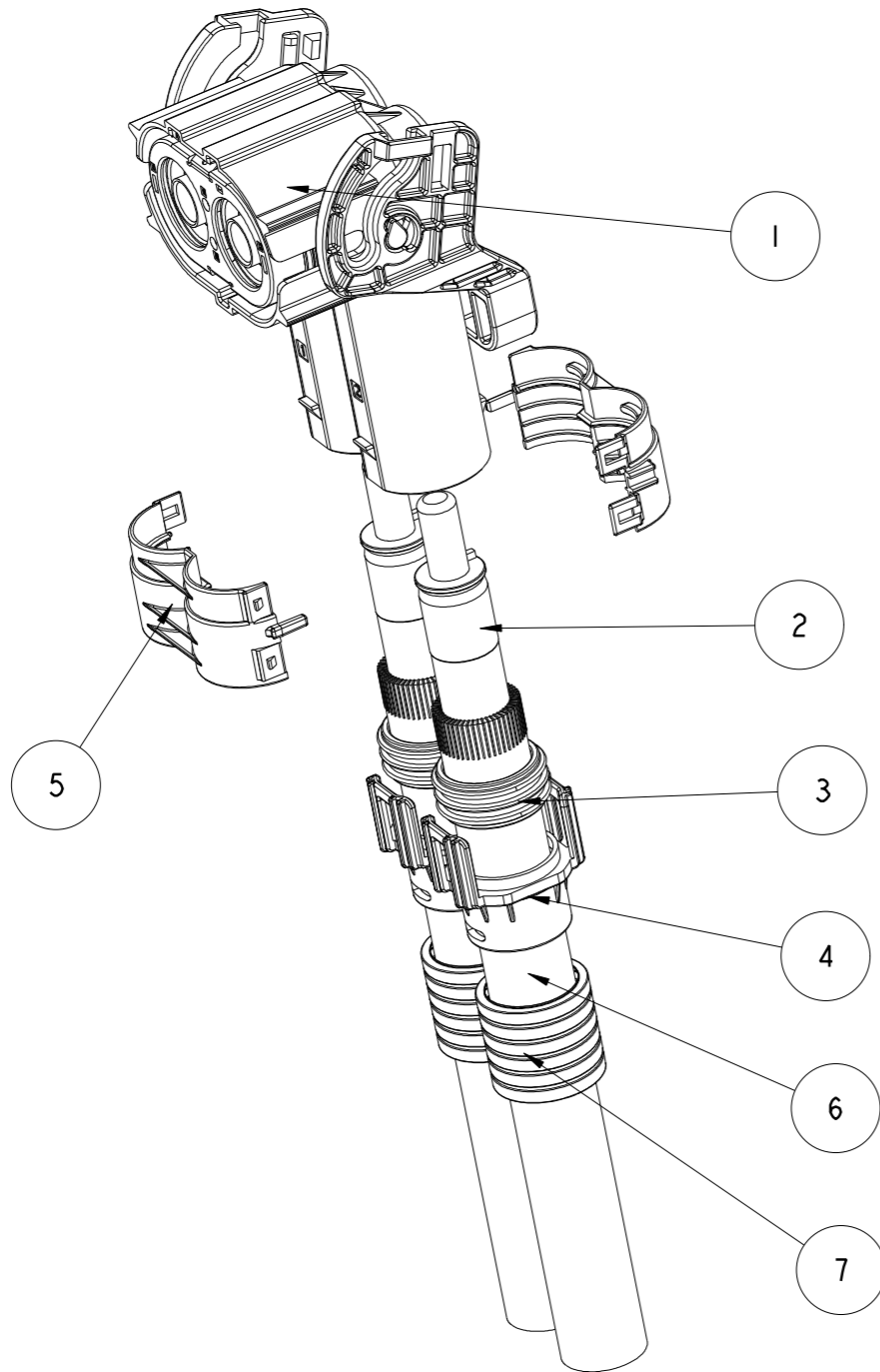
C-HVSL5800082X1XX

C-HVSL5800082X1XX

DIMENSIONS ANSI Y14.5M UNITS: MM Pro/E FILE	TOLERANCES .X ± 0.5 .XX ± 0.30 ANGLES $\pm 0.5^\circ$	PROJECTION 	Amphenol Pcd Shenzhen			TITLE HVSL5800 PLUG RA		
			ENGR Tom Dai	CHKD APPD	SEP-27-16	SIZE A3	DWG NO. C-HVSL5800082X1XX	REV 1

THIS DOCUMENT CONTAINS PROPRIETARY INFORMATION WHICH IS THE CONFIDENTIAL PROPERTY OF AMPHENOL PCD SHENZHEN

CUSTOMER DRAWING



C4220053603	50mm ² BELLOWS GAP	C422005360X
C4220053602	35mm ² BELLOWS GAP	
C4220053601	25mm ² BELLOWS GAP	
C4220053583	50mm ² END GAP	C422005358X
C4220053582	35mm ² END GAP	
C4220053581	25mm ² END GAP	
C4270052003	50mm ² CABLE SEAL	C427005200X
C4270052002	35mm ² CABLE SEAL	
C4270052001	25mm ² CABLE SEAL	
HVSL8000850	50mm ² PIN CONTACT RA	HVSL80008XX
HVSL8000835	35mm ² PIN CONTACT RA	
HVSL8000825	25mm ² PIN CONTACT RA	
HVSL80008B	B KEY	HVSL80008X
HVSL80008A	A KEY	
P/N	DESCRIPTION	REMARK

C-HVSL800082X1XX

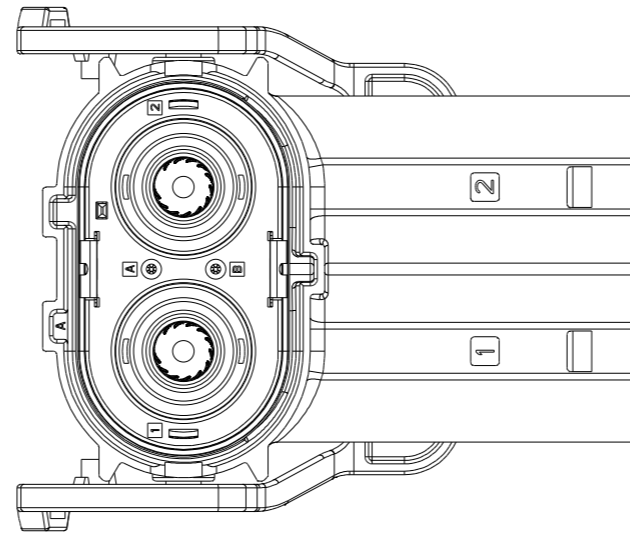
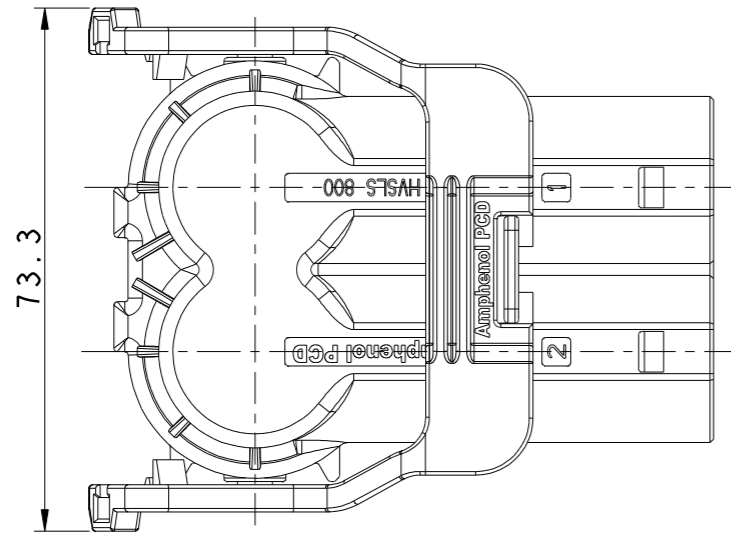
C-HVSL800082X1XX

Notes :
Number 2-7 assembly for the client

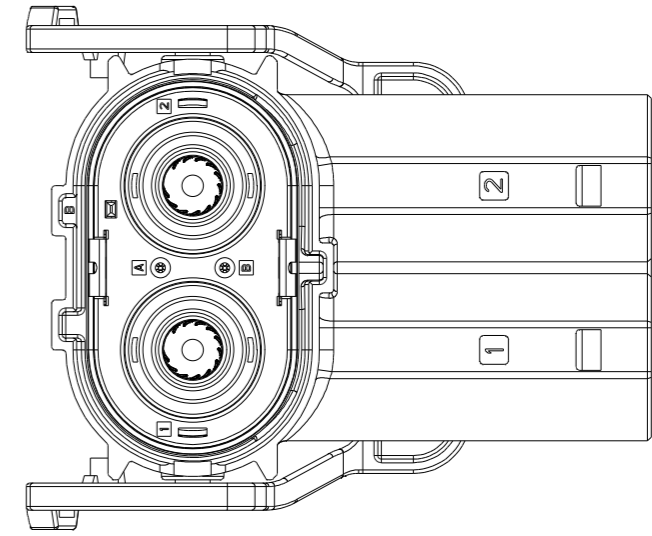
7	/	BELLOWS	2	THE CUSTOMER'S
6	/	CABLE	2	THE CUSTOMER'S
5	C422005360X	BELLOWS GAP(波纹管盖)	2	
4	C422005358X	END GAP(尾盖)	2	
3	C427005200X	CABLE SEAL(线缆密封圈)	2	
2	HVSL80008XX	PIN CONTACT RA(公针)	2	
1	HVSL80008X	ASSEMBLE PLUG RA(弯头主体)	1	ASSEMBLE
INDEX	P/N	DESCRIPTION	QTY	REMARK

SIZE	DWG NO.	REV
A3	C-HVSL800082X1XX	1
CODE: 58982	SCALE: 7:10	SHEET 2 OF 15

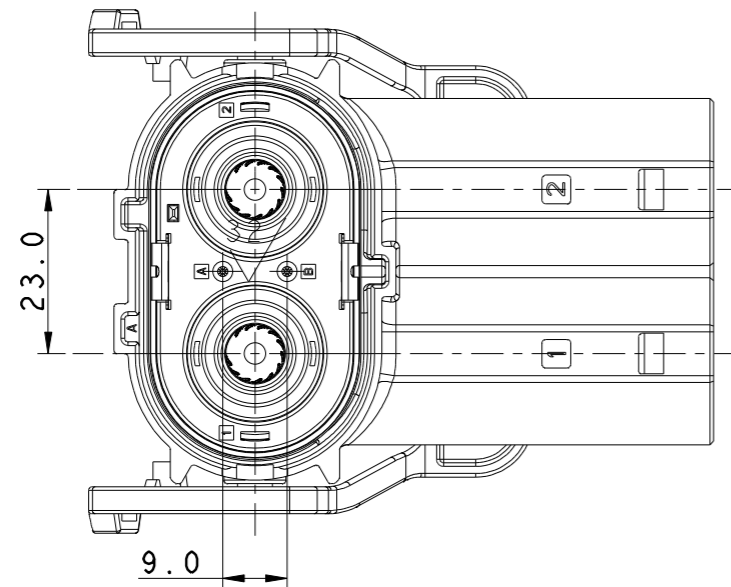
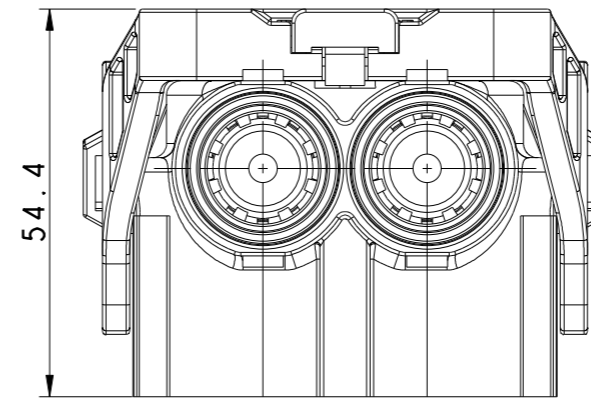
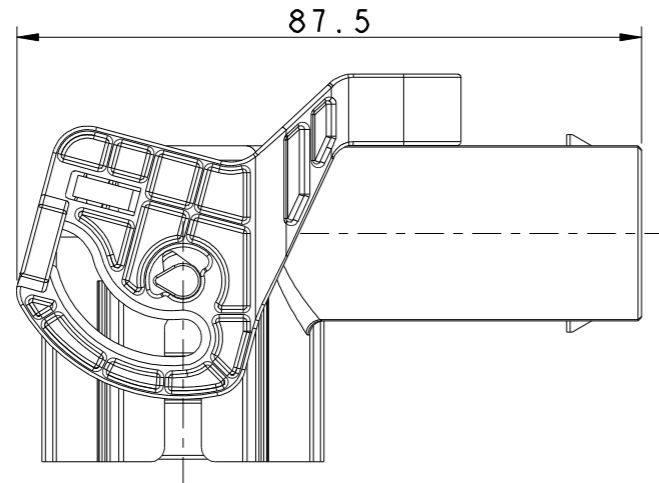
CUSTOMER DRAWING



HVSL80008A



HVSL80008B



C-HVSL5800082X1XX

C-HVSL5800082X1XX

P/N:HVSL80008X(弯头主体)

SIZE	DWG NO.	REV
A3	C-HVSL800082X1XX	1
CODE: 58982	SCALE: 1:1	SHEET 3 OF 15