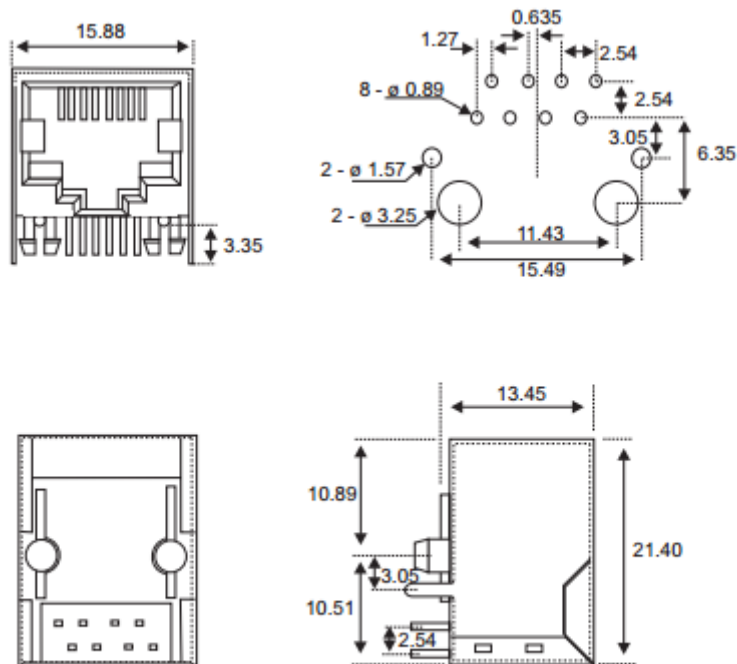


Datasheet

8/8 way shield r/a low profile data skt

RS Stock number [331-6443](#)

Dimensions: (mm)



Specifications

Contact Resistance:	30mΩ max. at DC 100mA
Insulator Resistance:	1000MΩ min. at DC 500V
Current Rating:	3 amp
Dielectric Withstanding Voltage:	AC 500V for 1 minute
Operating Temperature:	-55°C to +105°C
Contact:	0.35mm Thickness Alloy C5210
Plating:	Selective gold plating over nickel Tin on solder tails
Housing:	Glass filled Polyester UL94V0 Standard Colour Black
Shielding:	0.25mm Thick Alloy Plated