



PRODUCT DATASHEET

Florence series

last update 8/9/2014

DETAILS

Product Number	C14353_FLORENCE-1R-CLIP-A
Family	Florence
Type	Accessory
Color	clear
Diameter	63,5x9 mm
Height	8,43 mm
Style	
Optic Material	
Holder Material	PC
Fastening	clips, screw
Status	ready
ROHS Compliant	Yes
Date Updated	8/09/2014



OPTICAL PROPERTIES

LED	Viewing Angle	Light Beam	Efficiency	cd/lm	Connector
	N/A deg		-	sim: 0.000	-

D

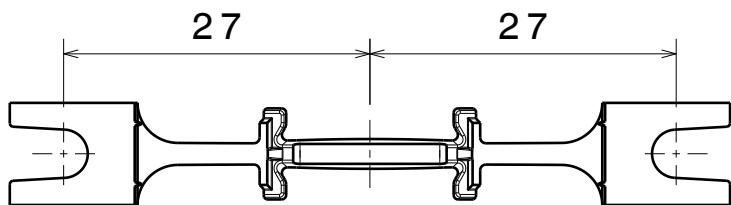
C

B

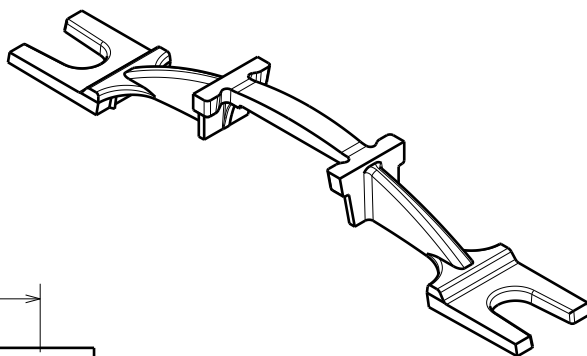
A

4

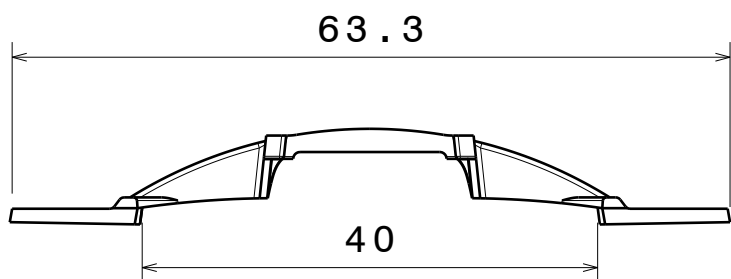
4



Bottom view

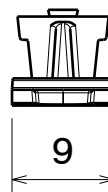


Isometric view

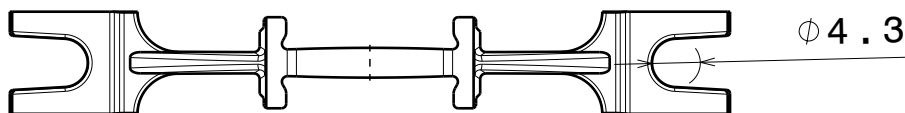


Right view

PCB max width
PCB max height: 1.6mm



Front view



Top view

3

3

2

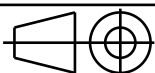
2

Tolerances if not otherwise shown
According to DIN ISO 2768-1
Linear measures: class C
According to DIN ISO 2768-2
Form and position: class L



Ledil Oy
Salorankatu 10
FIN 24240 SALO
Finland

THIRD ANGLE PROJECTION:



DRAWING TITLE

FLORENCE-1R-CLIP-A Datasheet

This drawing is the property of LEDiL Oy. It may not be reproduced, copied or communicated without a written agreement with LEDiL Oy.

SIZE

PART NUMBER

A4

C14353

SCALE

3:2

WEIGHT

-

SHEET

1/1

1

1

D

A

NOTE: The typical divergence will be changed by different color, chip size and chip position tolerance. The typical total divergence is the full angle measured where the luminous intensity is half of the peak value.