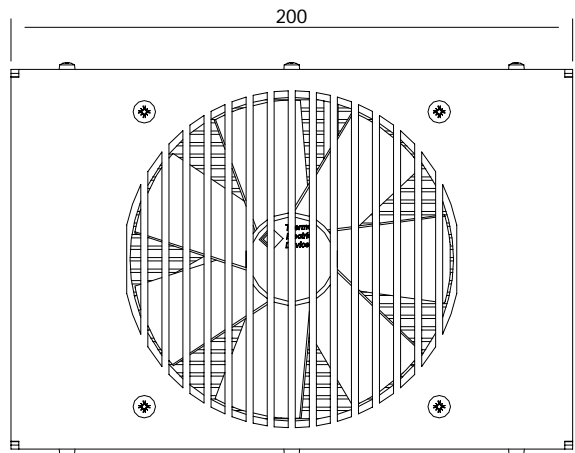
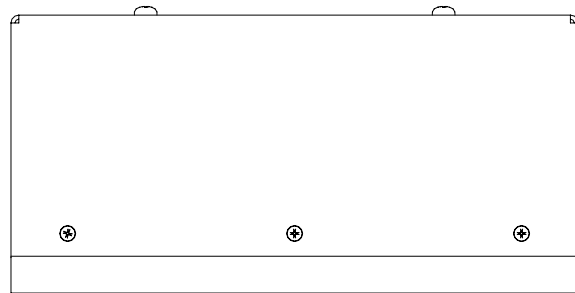
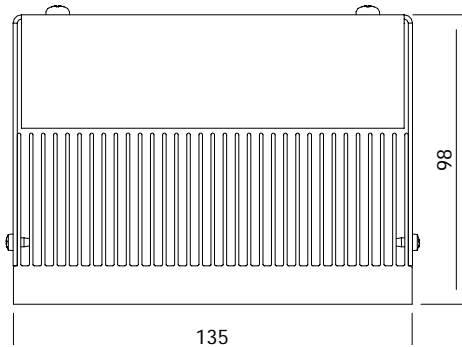


**Thermo  
Electric  
Devices**

**PRODUCT DATA SHEET**

**TDEX3358/200FMF12G (RS STOCK # 158534)**

**HIGH PERFORMANCE HEAT SINK / FAN ASSEMBLY**



**Applications**

The TDEX3358/200FMF/12/G is a high-performance extruded fin aluminium heat sink / fan assembly designed for use with multiple thermoelectric (Peltier effect) coolers with a Qmax of up to 250W.

It would be equally suitable for other semiconductor applications requiring high performance within a compact footprint.

- L: 200 W: 135 D: 98mm Mass: 2250g
- 6035-T5 Aluminium
- Clear anodized finish
- 1 x 120mm 12V (6.0W) fan
- Machined thermal interface = excellent thermal transfer
- 13.5 mm thick sole plate for good thermal conductivity
- Thermal resistance 0.06 deg C/Watt
- Finger guard included

Thermo Electric Devices  
Unit 1 Draycott Business  
Centre  
Draycott  
GL56 9JY  
UK

Unit 1 Draycott Business Centre  
Draycott  
Gloucestershire  
GL56 9JY  
T: 01386 701703  
F: 01386 701618  
E: mail@thermoelectricdevices.co.uk