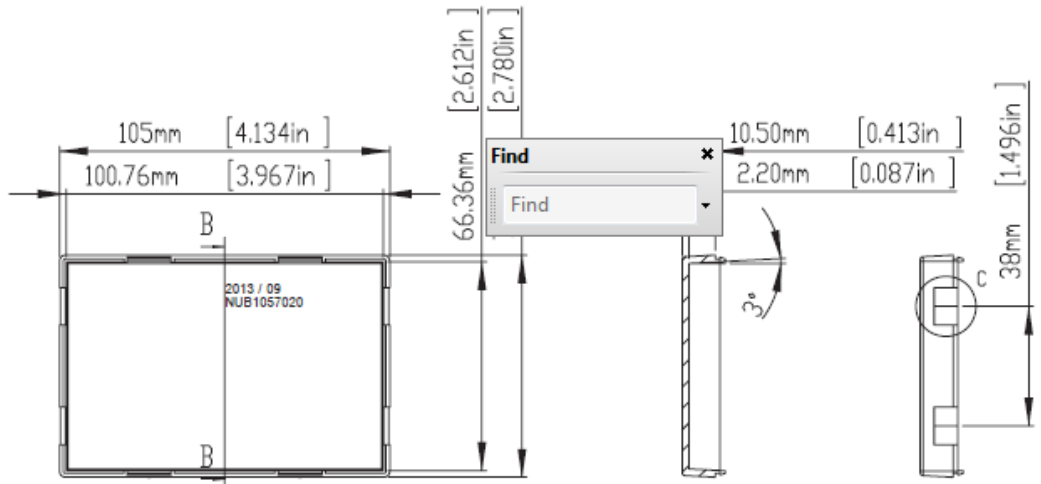
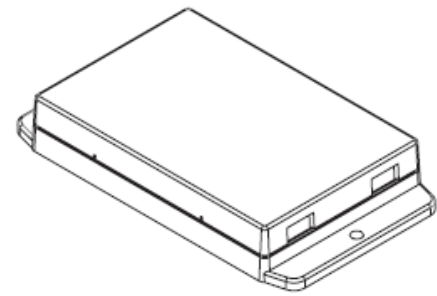
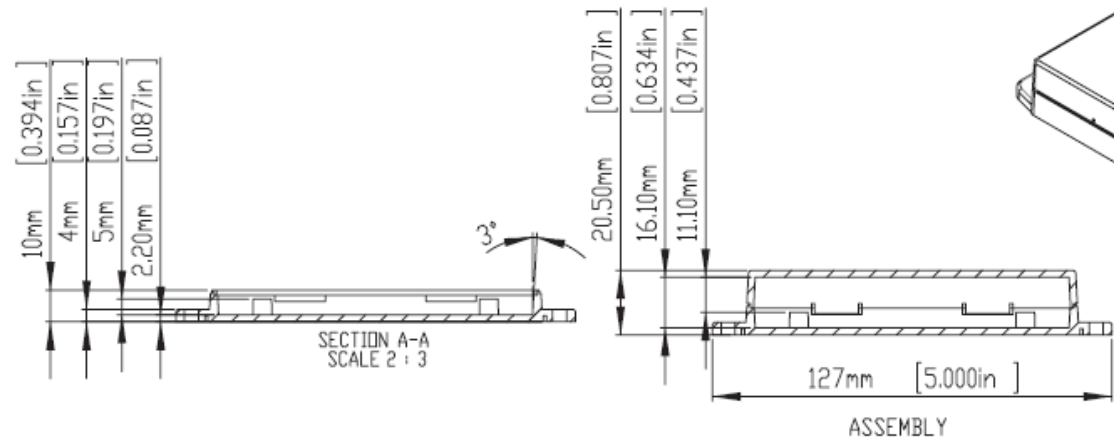
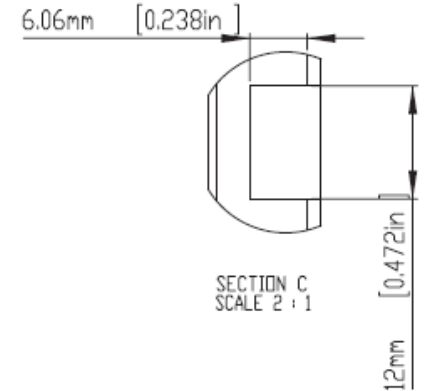


HOLE(S) ARE DESIGNED FOR M2.6X6mm SELF-TAPPING SCREWS USE.

WALL MOUNTING HOLE(S) X DIA.4.5mm FOR PAN HEAD(M4) TAPPING SCREWS USE.



SECTION B-B SCALE 2 : 3



According to ISO 2768-m

| Measuring DIM=L | Tolerances |
|--------------------|------------|
| 0.5<L<=3.0mm | ±0.1mm |
| 3.0<L<=6.0 mm | ±0.1mm |
| 6.0<L<=30.0 mm | ±0.2mm |
| 30.0<L<=120.0 mm | ±0.3mm |
| 120.0<L<=400.0 mm | ±0.5mm |
| 400.0<L<=1000.0 mm | ±0.8mm |

