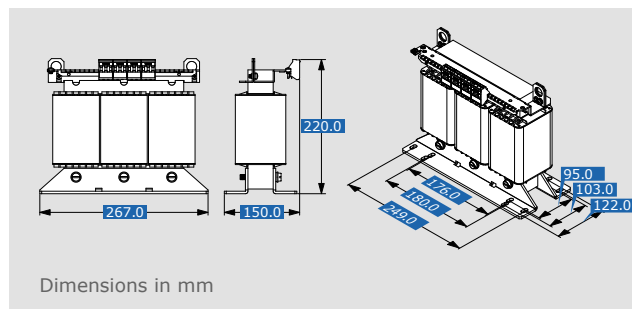


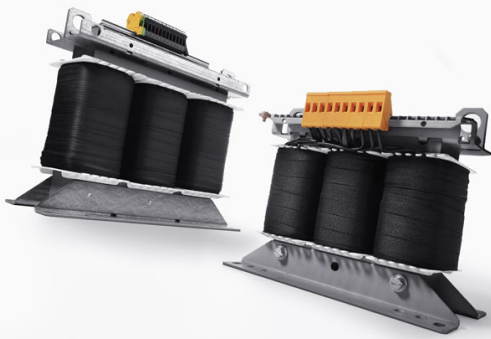
# AT3 3,5-22/23-4

## Autotransformer

- Common input and output windings. The output has no separation to the line voltage
- Insulation class F
- Reverse operation possible

Auto Matching Transformer to IEC 61558-2-13, DIN EN 61558-2-13, VDE 0570 part 2-13, or VDE 0532, UL 506, CSA 22.2





## AT3 3,5-22/23-4

### Autotransformer



<b>Input data</b>	
Input voltage	3x220/230 V
Frequency range	50 - 60 Hz
<b>Output data</b>	
Output voltage	3 x 400 V
Efficiency	93 %
Power	3500 VA
<b>Standards and security</b>	
Approvals	C-UL-US
Short circuit strength	non-short-circuit proof
Protection index	IP 00
Safety class (prepared)	I
Ambient temperature max.	40 °C
Class of Insulation System	F
Test voltage	4000 V, 50 Hz
<b>General data</b>	
Vector group	YNaO
<b>Mechanical data</b>	
Type	open type
Core	3 UI 114/64
Terminals	screw type terminals
Fixing method	mounting brackets
Wide	267 mm
Fixing screws	M6
Weight	20.70 kg
<b>Order numbers</b>	
Order Number	AT3 3,5-22/23-4

**BLOCK** Transformatoren-Elektronik GmbH

Max-Planck-Straße 36-46

27283 Verden

Germany

Phone +49 4231 678-0

Fax +49 4231 678-177