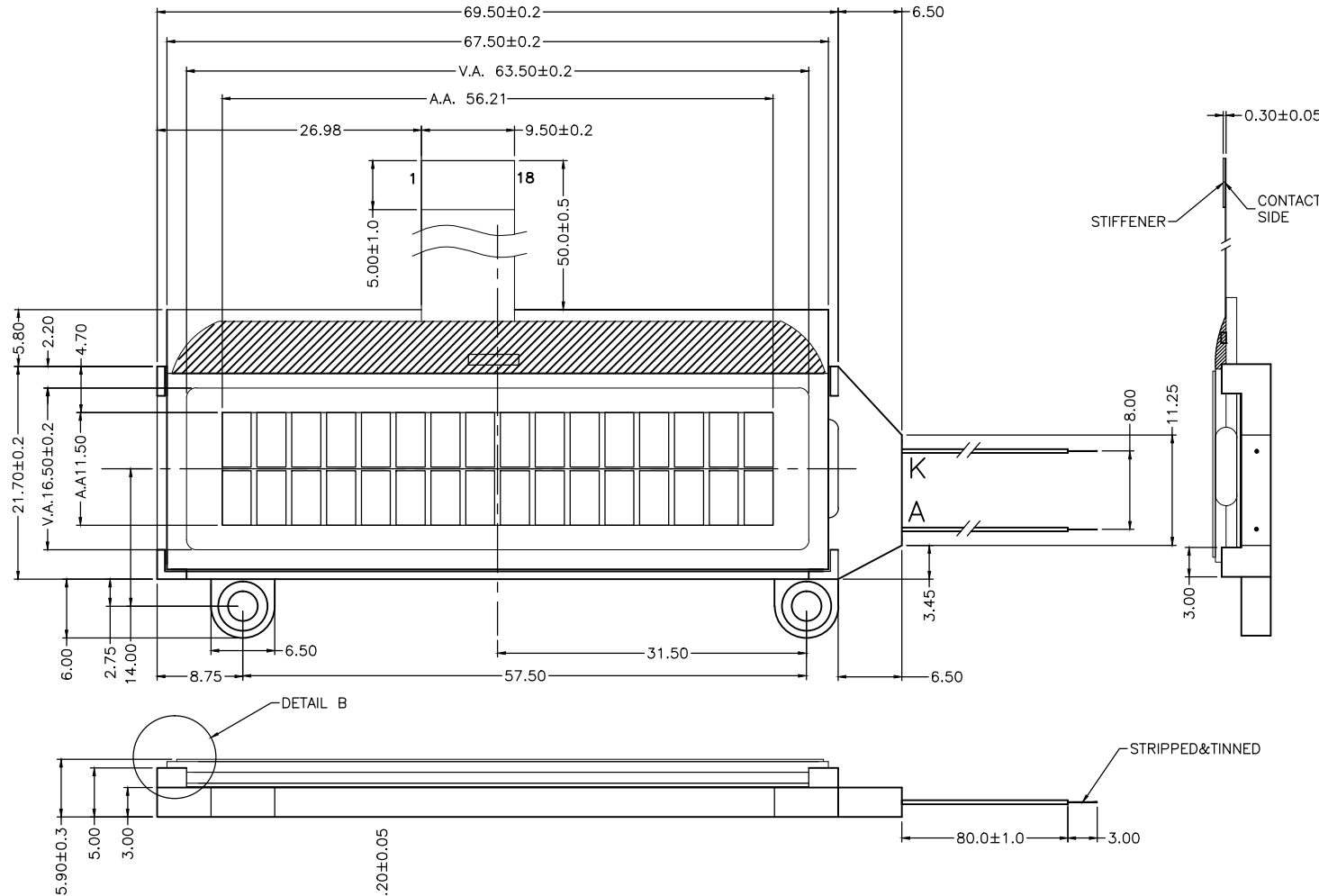
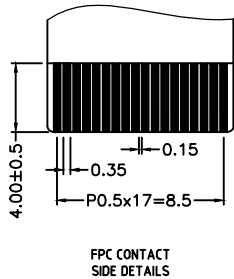
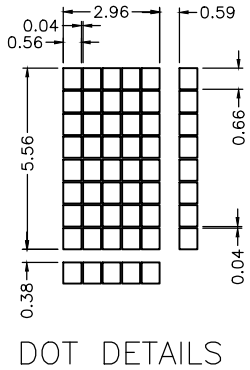
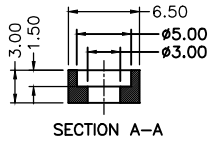




**Intelligent Display Solutions**, Unit 2, Berkshire Business Centre, Berkshire Drive, Thatcham, Berkshire, RG19 4EW Telephone : +44 (0)1635 294600  
 Fax : +44 (0)1635 869200 Email: info@i-lcd.com www.i-lcd.com  
 A division of Intelligent Group Solutions Ltd

REV	Description	Date
A00	First Issue	2015-MAY-20

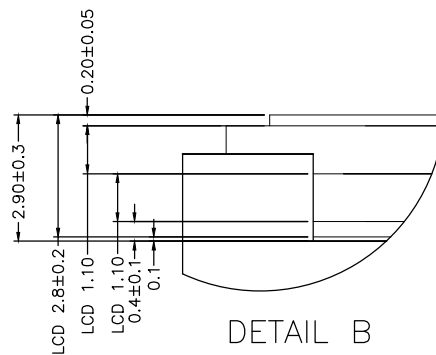


PIN ASSIGNMENT:

1	RSTB
2	A0
3	CSB
4	RW
5	E
6	DB0
7	DB1
8	DB2
9	DB3
10	DB4
11	DB5
12	DB6
13	DB7
14	VSS
15	VDD
16	VG
17	V0
18	XV0
A	LED+
K	LED-

**SPECIFICATIONS:**

- 1) FSTN/-VE/TRANSMISSIVE MODE
- 2) 1/16 DUTY, 1/5 BIAS, VLCD=4.5V
- 3) VIEWING ANGLE=12 O'CLOCK
- 4) OP.TEMP.= -20 °C TO °C+70  
ST.TEMP.= -30 °C TO °C+80
- 5) WITH BLUE LED BACKLIGHT, 3.3V@15mA
- 6) DRIVER: ST7032S, VDD=2.7 ~ 3.45V



**Description: MECHANICAL SPECIFICATIONS**

Scale: \_\_\_\_\_

Sheet : 1 of 1

Unspecified Tol. ±0.3 Unit mm

Approvals \_\_\_\_\_ Date \_\_\_\_\_

Draw: \_\_\_\_\_

Check: \_\_\_\_\_

Approve: \_\_\_\_\_

**TRI-T COMPANY LIMITED**

Project Number: CI064-4001-34

Item Number: \_\_\_\_\_

Do Not Scale This Drawing

Projection: