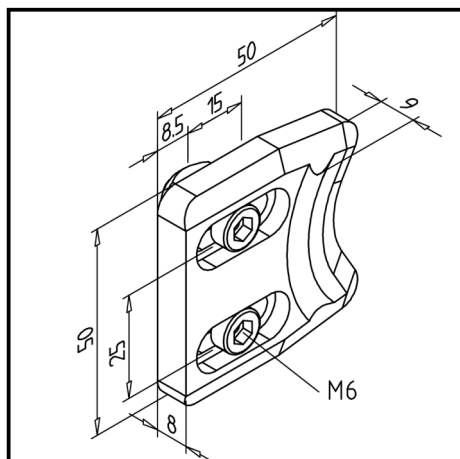


DOOR CATCH S

Article Nr. 21.1767/0

[See the product on the website](#) →

[Download CAD Files](#) →



TECHN. DATA / ITEMS SUPPLIED

- Zinc, Pressure die-casting, black
- With fastening material steel, zinc plated
- Weight = 0.077 kg/piece

APPLICATIONS

- Stop for doors and hatches
- Specifically suitable in connection with handle, T-handle and bolt lock
- Also door catch

ASSEMBLY

- Fasten to the posts with supplied hardware