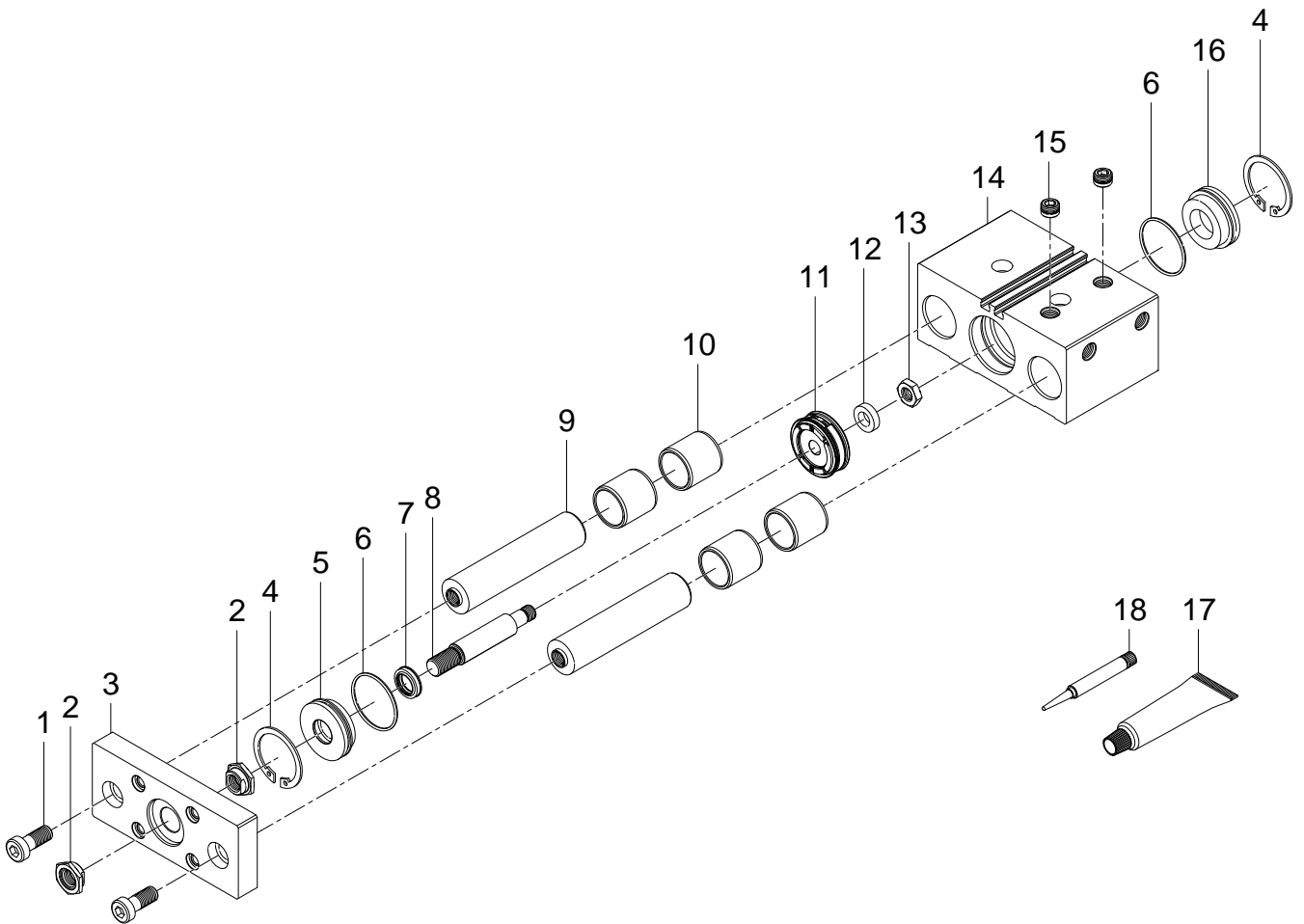


170854 DFM-32-20-P-A-GF Guided drive - Series till 07-2017



## 170854 DFM-32-20-P-A-GF Guided drive - Series till 07-2017

Pos.	Part no.	Type	Note	Qty.	Unit
A	8047217	DFM-32-PA :FR 03-2015 Set of wearing parts	Spare parts: 4, 6, 7, 11, 12, 17, 18 <a href="#">Replacing the wearing parts</a>	1	PC
1	354152	DIN 6912-M8X20-8.8 Socket head screw	Tightening torque 19 Nm / 14.0 lbf ft Use locking compound. See position 18	2	PC
2		M10X1,25 Collar nut	Not available Tightening torque 28.3 Nm / 20.9 lbf ft Use locking compound. See position 18	2	PC
3		DFM-32 End plate	Not available	1	PC
4		J-33 Retaining ring	Not available separately, see position A	2	PC
5		DFM-32 Bearing cap	Not available Grease using during assembly. See position 17	1	PC
6		B-30X1,5-N-NBR75 O-ring ISO3601	Not available separately, see position A Grease using during assembly. See position 17	1	PC
7		WIFC1-12X16,5X4-TPE-U Wiper seal	Not available separately, see position A Grease using during assembly. See position 17	1	PC
8		ARA-12-S0038.8-B Piston rod	Not available	1	PC
9		DFM-32/40-20-GF Guide rod	Not available	2	PC
10		DFM-32 Plain bearing	Not available	4	PC
11		BA-K10D-032-A Complete piston	Not available separately, see position A Grease using during assembly. See position 17	1	PC
12		8,4 X 15 X 4 Ring	Not available separately, see position A	1	PC
13	200602	DIN 439-B-M8-04 Hex nut	Tightening torque 9.5 Nm / 7.0 lbf ft Use locking compound. See position 18	1	PC
14		DFM-32-20 Housing	Not available Grease using during assembly. See position 17	1	PC
15	116515	G1/8 Plug screw		2	PC
16		DFM-32 End cap	Not available	1	PC
17	684474	LUB-KC1 SILIKONFREI 20ML Lubricating grease		1	PC
18	8181256	CYBERBOND TM44 TB1ML Adhesive bonding agent		1	PC