


RJ11 socket insert - VS-RJ11-BU-MOD/BU - 1656356

Please be informed that the data shown in this PDF Document is generated from our Online Catalog. Please find the complete data in the user's documentation. Our General Terms of Use for Downloads are valid (<http://download.phoenixcontact.com>)

Socket insert RJ11, modular system (Keystone), 6-pos., unshielded



Key commercial data

Packing unit	1 pc
GTIN	 4 046356 029803
Weight per Piece (excluding packing)	6.74 g
Custom tariff number	85366990
Country of origin	Germany

Technical data

Mechanical characteristics

Number of positions	6
Number of slots	1
Shielded	No
Connection method	female

Ambient conditions

Ambient temperature (operation)	-20 °C ... 70 °C
Degree of protection	IP20

Material data

Inflammability class according to UL 94	V0
Contact carrier material	Thermoplastic
Contact material	Copper alloy
Contact surface material	Gold over nickel

Electrical characteristics

Number of positions	6
Transmission characteristics (category)	CAT3

RJ11 socket insert - VS-RJ11-BU-MOD/BU - 1656356

Classifications

eCl@ss

eCl@ss 4.0	27140815
eCl@ss 4.1	27260701
eCl@ss 5.0	27260701
eCl@ss 5.1	27260701
eCl@ss 6.0	27260705
eCl@ss 7.0	27440309
eCl@ss 8.0	27440309

ETIM

ETIM 2.0	EC000438
ETIM 3.0	EC000438
ETIM 4.0	EC000438
ETIM 5.0	EC000438

UNSPSC

UNSPSC 6.01	31261501
UNSPSC 7.0901	31261501
UNSPSC 11	31261501
UNSPSC 12.01	31261501
UNSPSC 13.2	31261501

Approvals

Approvals

Approvals

GOST

Ex Approvals

Approvals submitted

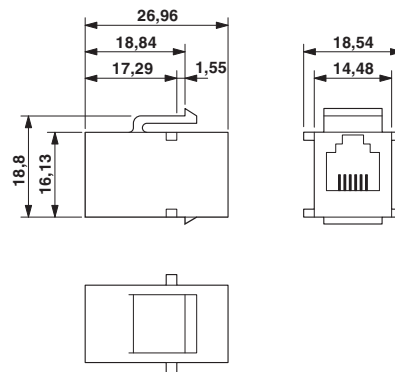
Approval details

GOST

Drawings

RJ11 socket insert - VS-RJ11-BU-MOD/BU - 1656356

Dimensioned drawing



RJ11 female insert