

Wi-Fi / BT 2.4GHz Ceramic SMD Antenna 2x1.2x0.6 mm

Part Number: **L000946-01**
L000946-80

FEATURES & BENEFITS

- WiFi/Bluetooth/ZigBee/ISM 2.4 GHz/IEEE802.11 b/g/n Application
- SMD Passive Ceramic Patch Antenna with evaluation board 40 x 20 mm²,
- With Good VSWR/ Gain for small size, clearance and operating temperature is 105°C (higher range of operating temperature)
- With matching circuits that designed on the evaluation board.

RF SPECIFICATIONS

Frequency Range (MHz)	2400-2484
Bandwidth (MHz)	84 MHz
VSWR (center frequency)	< 2.2:1
Peak Gain (Typ.)	0.9 dBi
Average Gain (Typ.)	-2.7 dB
Efficiency (Typ.)	53 %
Feed Point Impedance	50 ohms
Polarization	Linear Polarization

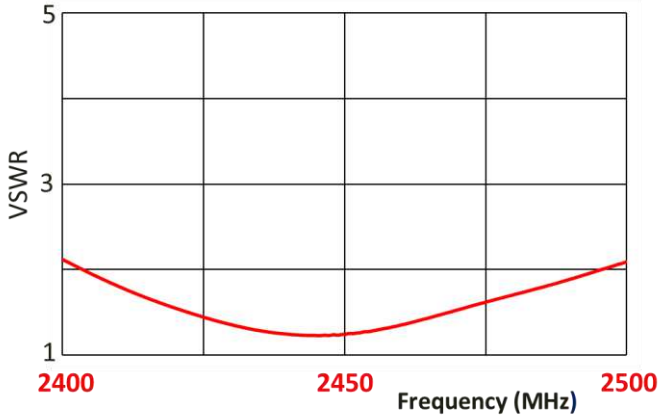
MECHANICAL SPECIFICATIONS

Size (L x W x H)	2.0 mm x 1.2 mm x 0.6 mm (L/W/H ± 0.2)
Weight	< 0.1 g
Mounting	SMD (Surface Mount Device)
Mating Connector	N/A
Cable	N/A
Operating Temperature	-40 to +105°C
Storage Temperature	-5 to +40°C
Dielectric Material	Ceramic
Hazardous Materials	A certificate of conformance is available from the product page on TE website.

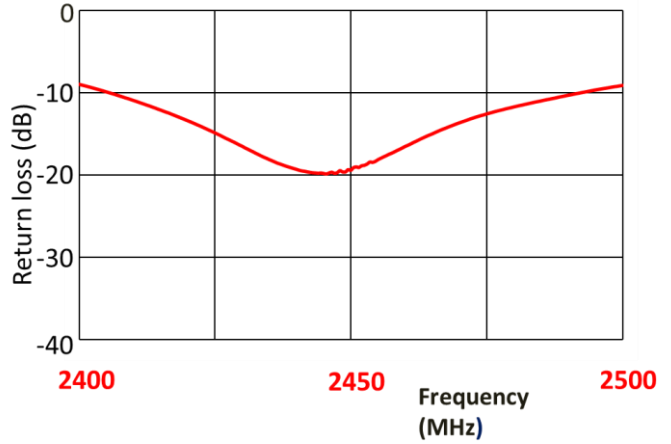
RF DATA

(shown as L000946-01 : Ground size : 40 x 20 x 1 mm.)

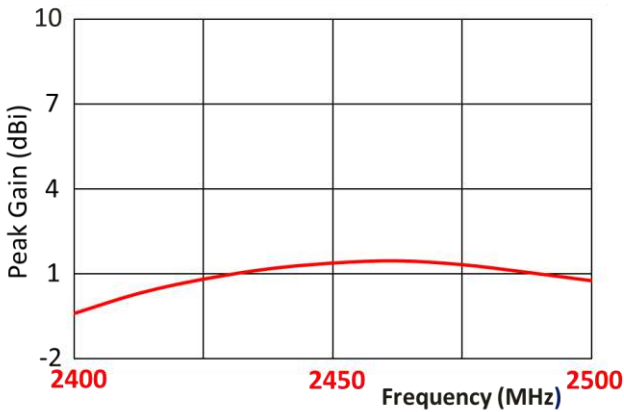
VSWR



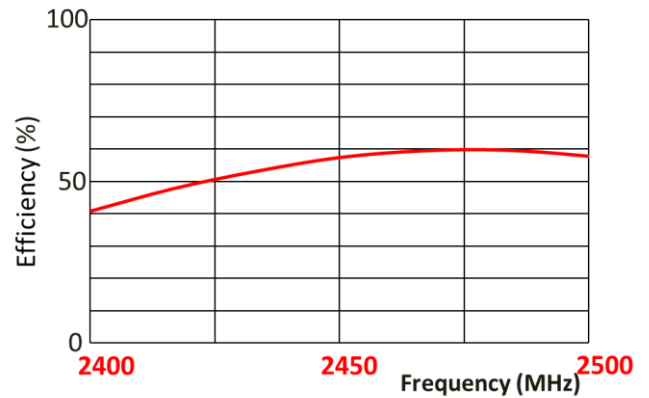
Return Loss



Peak Gain



Efficiency

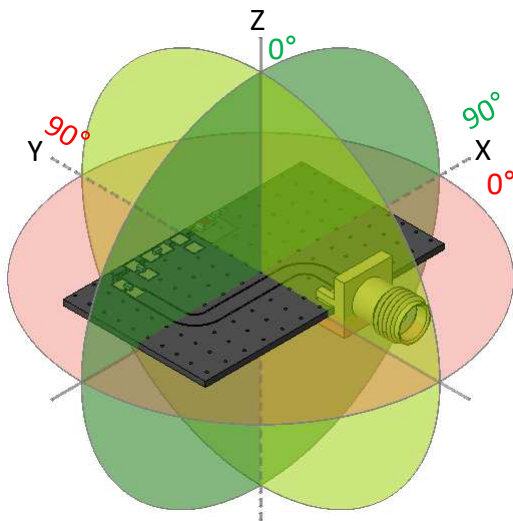


Data measured in free space and on reference ground plane of 40x20x1 mm ground plane condition, application data might vary.

RADIATION PATTERN

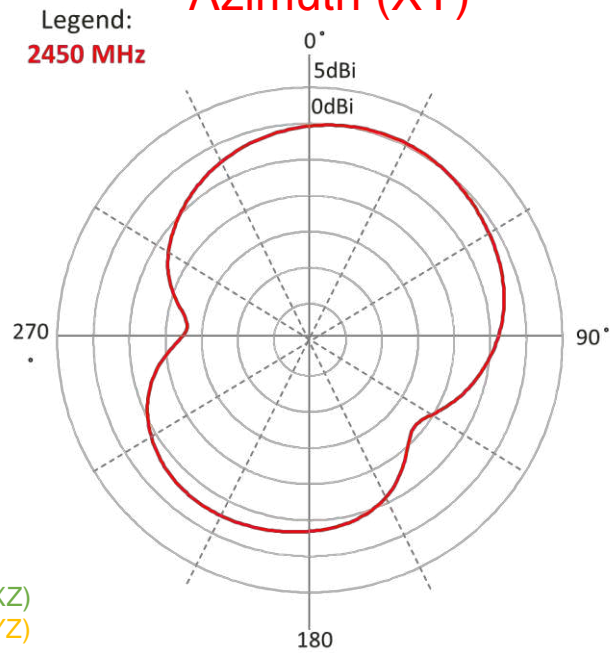
(shown as L000946-01 : Ground size : 40 x 20 x 1 mm.)

Test setup

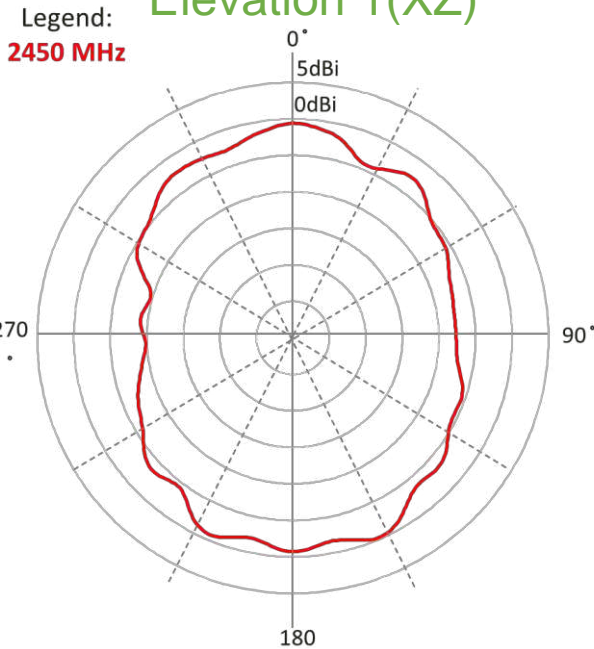


Azimuth Plane (XY)
Elevation 1 Plane (XZ)
Elevation 2 Plane (YZ)

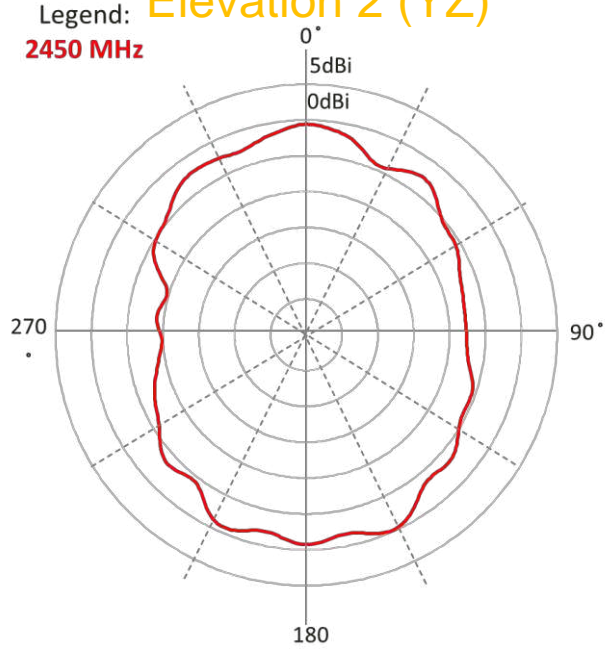
Azimuth (XY)



Elevation 1 (XZ)

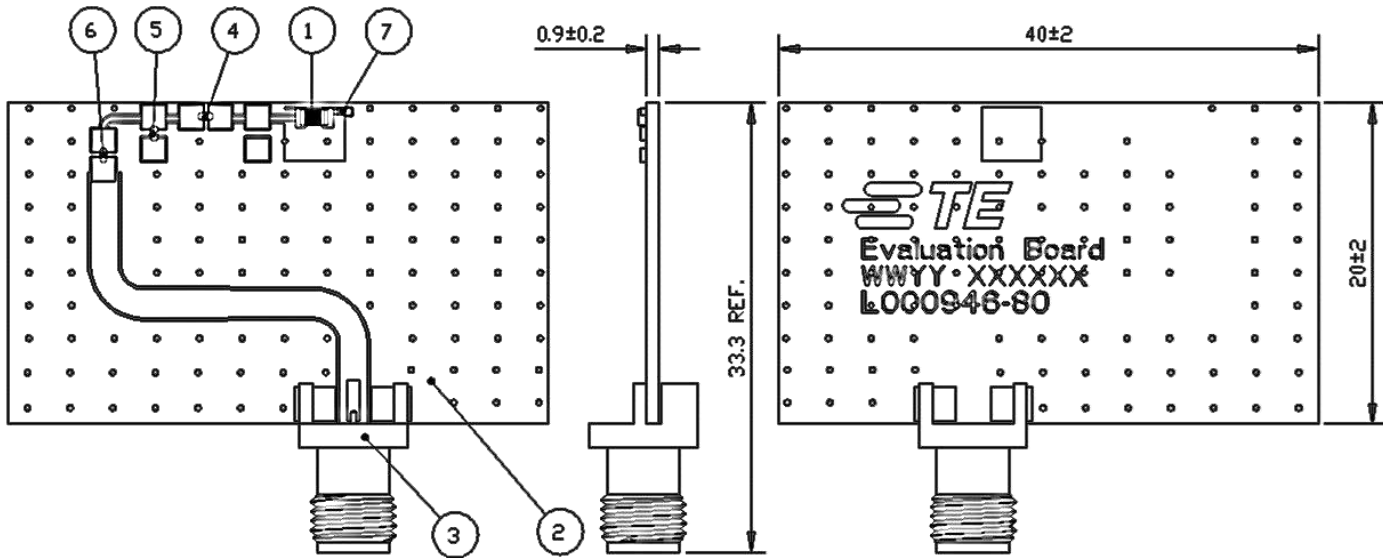


Elevation 2 (YZ)

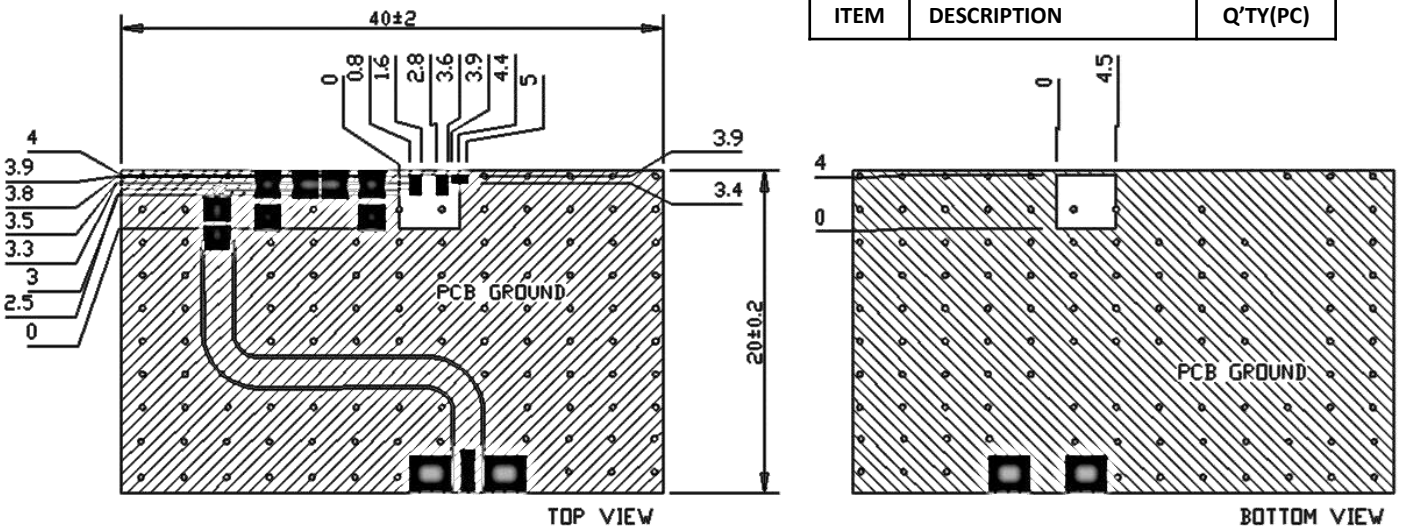


Data measured in free space and on reference ground plane of 40x20x1 mm ground plane condition, application data might vary.

MOUNTING GUIDE AND MATCHING CIRCUIT



7	0402 CAPACITOR(1.2pF)	1
6	0402 CAPACITOR(22pF)	1
5	0402 CAPACITOR(1.5pF)	1
4	0402 RESISTOR(0Ohm)	1
3	SMA Connector(Female)	1
2	EVB	1
1	ANTENNA	1
ITEM	DESCRIPTION	Q'TY(PC)



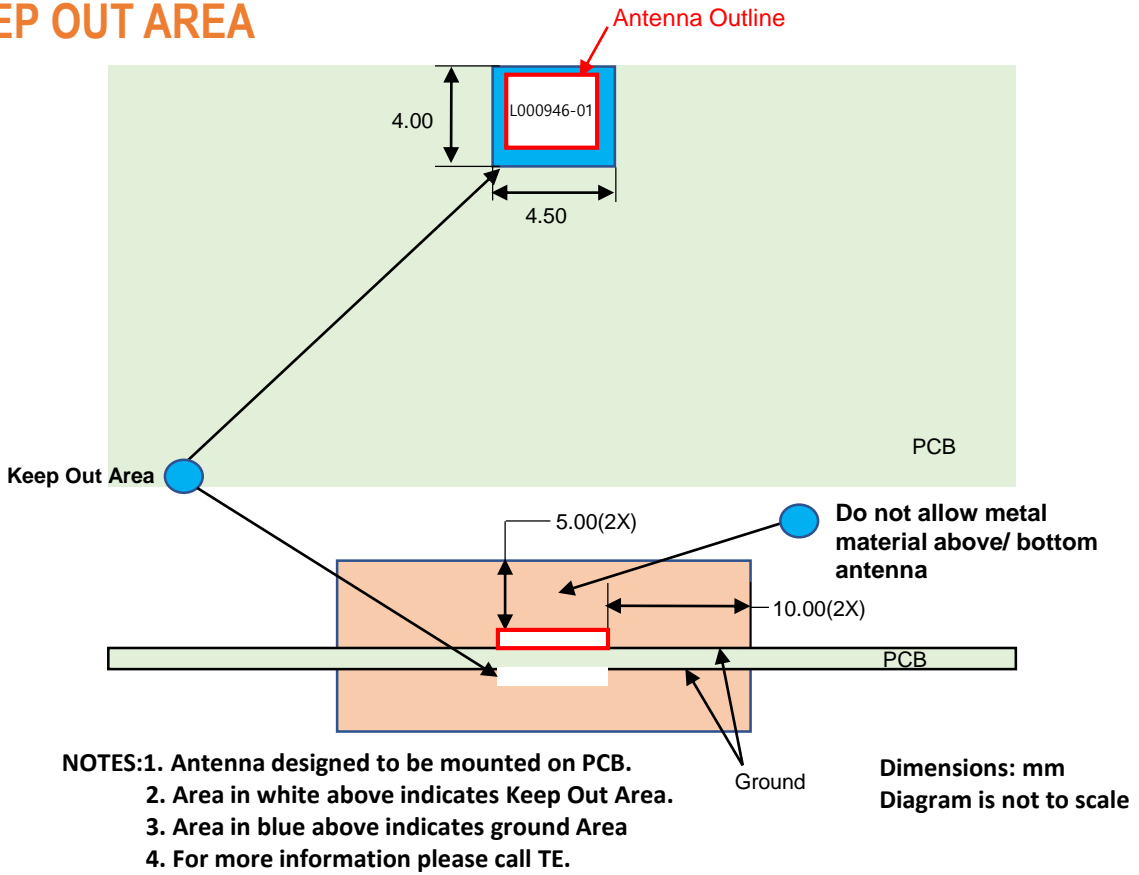
- NOTES: 1. Antenna must be mounted on the edge of PCB.
 2. For more information please call TE.
 3. Reference PCB Dimension(mm) - 40.0 x 20.0 x 0.9

Dimension: mm
 Tolerance : ±0.2mm
 Diagrams is not to scale

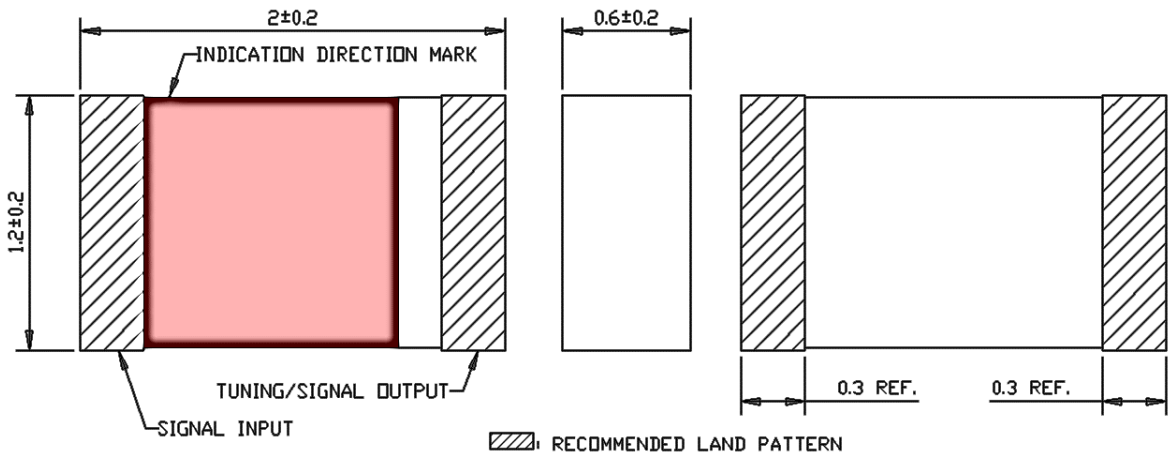
Wi-Fi / BT 2.4GHz Ceramic SMD Antenna (2x1.2x0.6 mm)

Standard Antenna Solutions

KEEP OUT AREA



DIMENSIONS



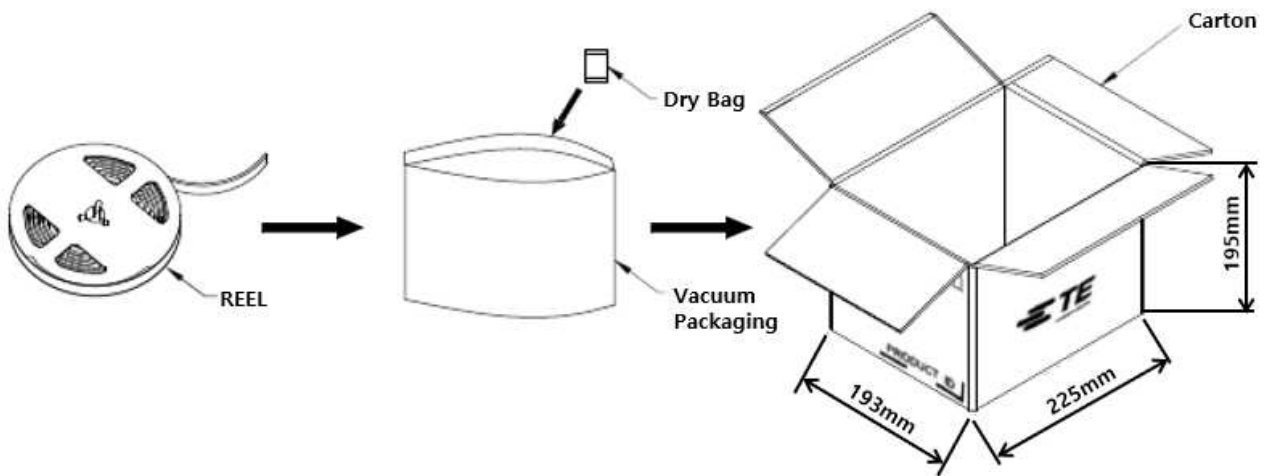
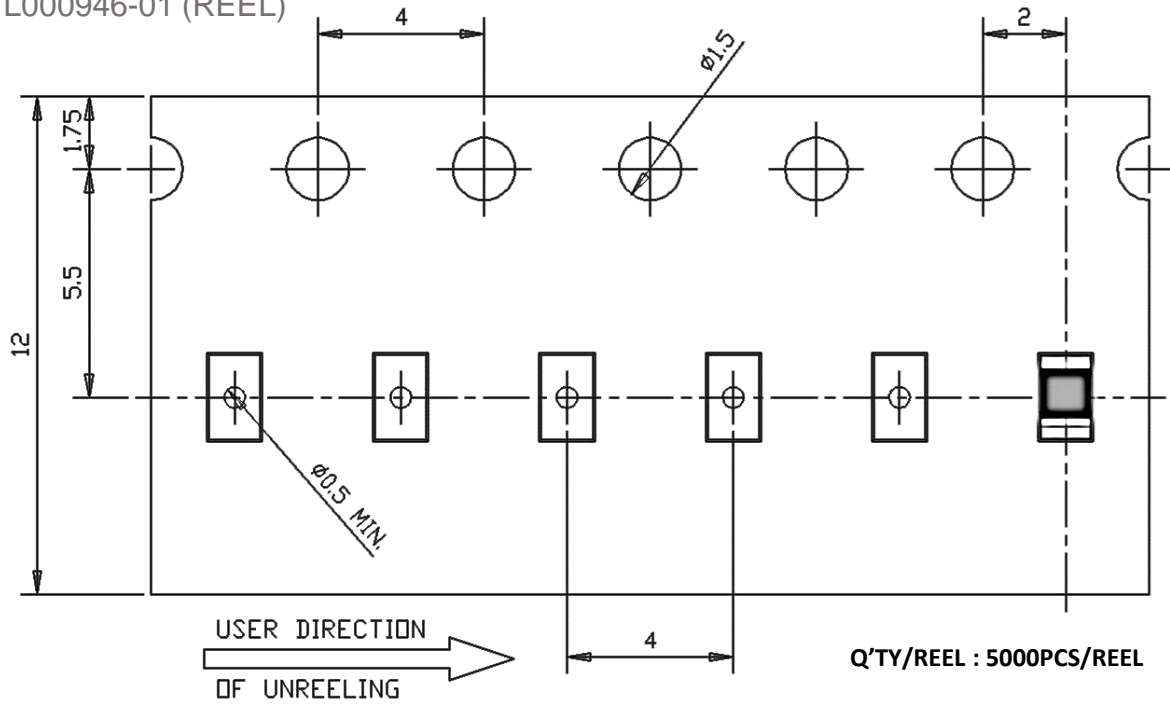
Dimensions: mm
Diagram is not to scale

Wi-Fi / BT 2.4GHz Ceramic SMD Antenna (2x1.2x0.6 mm)

Standard Antenna Solutions

PACKAGING

L000946-01 (REEL)



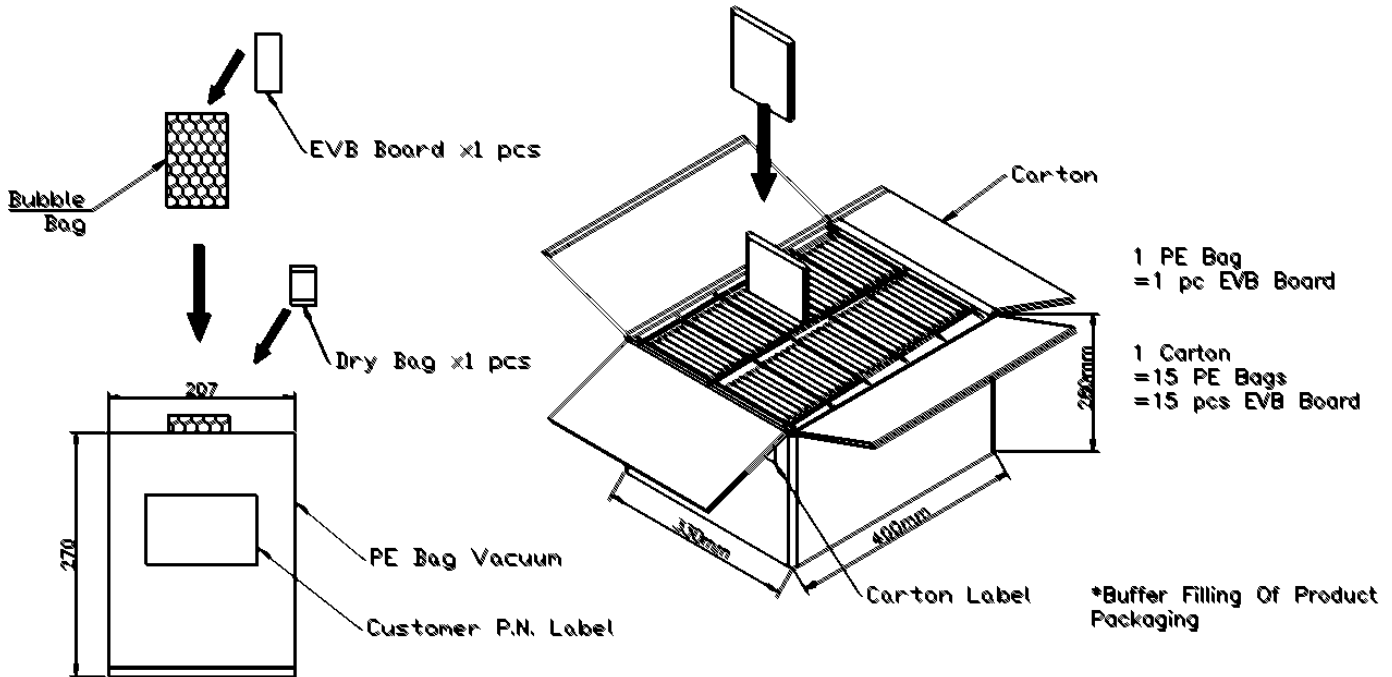
1Carton = 1REEL = 5000pcs
* Using Air pillows for packaging

Wi-Fi / BT 2.4GHz Ceramic SMD Antenna (2x1.2x0.6 mm)

Standard Antenna Solutions

PACKAGING

L000946-80 (BULK)



TE TECHNICAL SUPPORT CENTER

- USA: +1 (800) 522-6752
- Canada: +1 (905) 475-6222
- Mexico: +52 (0) 55-1106-0800
- Latin/S. America: +54 (0) 11-4733-2200
- Germany: +49 (0) 6251-133-1999
- UK: +44 (0) 800-267666
- France: +33 (0) 1-3420-8686
- Netherlands: +31 (0) 73-6246-999
- China: +86 (0) 400-820-6015

For phone numbers in other countries, go to te.com/support-center

te.com

TE Connectivity, TE Connectivity (logo) are trademarks. All other logos, products and/or company names referred to herein might be trademarks of their respective owners.

The information given herein, including drawings, illustrations and schematics which are intended for illustration purposes only, is believed to be reliable. However, TE Connectivity makes no warranties as to its accuracy or completeness and disclaims any liability in connection with its use. TE Connectivity's obligations shall only be as set forth in TE Connectivity's Standard Terms and Conditions of Sale for this product and in no case will TE Connectivity be liable for any incidental, indirect or consequential damages arising out of the sale, resale, use or misuse of the product. Users of TE Connectivity products should make their own evaluation to determine the suitability of each such product for the specific application.

© 2020 TE Connectivity Ltd. family of companies All Rights Reserved.

05/2021