


Ordering number CA11998_EMILY-SS-WAS

Family	Emily	FWHM	13 degrees
Type	Assembly	Efficiency	89 %
LED	NVSxx19A	cd/lm	8.030
Color	Clear	Gerber File	Available
Diameter	26 mm		
Height	14.8 mm		
Style	Round		Especially designed for Wallwasher applications
Optic Material	PMMA		
Holder Material	-		
Fastening	Pin, tape		
Status	Ready		

Ordering number CA12000_EMILY-O-WAS

Family	Emily	FWHM	43+12 degrees
Type	Assembly	Efficiency	85 %
LED	NVSxx19A	cd/lm	3.110
Color	Clear	Gerber File	Available
Diameter	26 mm		
Height	14.8 mm		
Style	Round		Especially designed for Wallwasher applications
Optic Material	PMMA		
Holder Material	-		
Fastening	Pin, tape		
Status	Ready		

NOTE: The typical divergence will be changed by different color, chip size and chip position tolerance. The typical total divergence is the full angle measured where the luminous intensity is half of the peak value.



PRODUCT DATASHEET

Emily series

last update 12/10/2012



GENERAL INFORMATION

- Product series especially designed & optimized for NVSxx19A series of LEDs.
- Special care taken to make light distribution as uniform as possible.
- Lens material optical grade PMMA with high UV and temperature resistance. Allows use of high current and temperature conditions.

Please find more information about used material from below:

http://ledil.fi/sites/default/files/Documents/Technical/Material/PMMA%20N%20UL94_Yellow%20Card.pdf

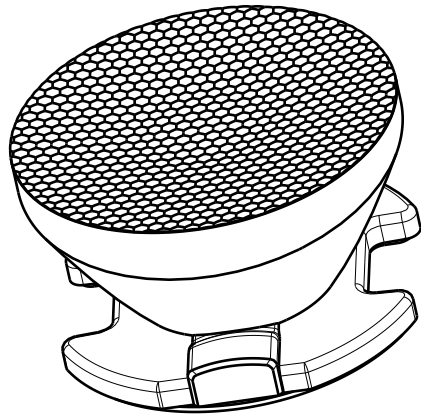
<http://ledil.fi/sites/default/files/Documents/Technical/Material/PMMA%20N%20PLEXIGLAS-Datasheet.pdf>

D

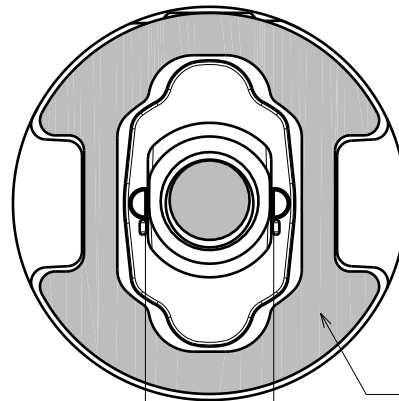
C

B

A



Isometric view

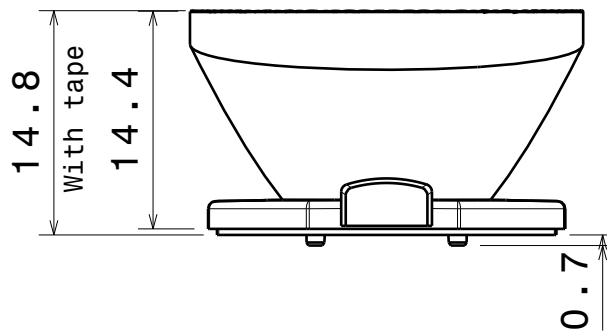


Bottom view

0.4mm tape

8.6

location pins

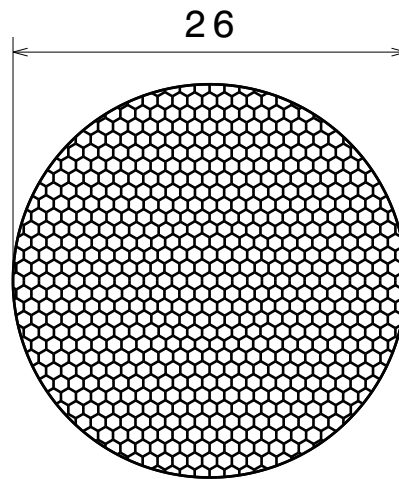


Front view

14.8
With tape

14.4

0.7



Top view

26

Part No.s:
 CA11998_EMILY-SS-WAS
 CA12000_EMILY-O-WAS
 CA12797_EMILY-O-WAS
 CA12799_EMILY-SS-WAS

Material: PMMA

This drawing is our property.
 It can't be reproduced
 or communicated without
 our written agreement.



L
T
F
F

e
e
i
i
N
n

d
h

DRAWING TITLE

Datasheet Emily-was Assembly

DRAWN BY

m

DATE

01.03.2011

CHECKED BY

h

h

DATE

01.03.2011

DESIGNED BY

hh

DATE

25.01.2011

SIZE

A4

DRAWING NUMBER

SCALE

2:1

WEIGHT (g)

REV

1

SHEET

1/1

D

A

4

4

3

3

2

2

1

1