



RCBO, 10 kA, 1P+N, type F, super-resistant K, 30 mA, B char., In: 25 A, Un AC: 230 V

Model	
product brand name	SENTRON
product designation	RCBO
design of the product	Super resistant K
General technical data	
number of poles	2
number of poles with protection	1
design of pole	1P+N
tripping characteristic class	B
mechanical service life (operating cycles) typical	10 000
overvoltage category	III
degree of pollution	2
Voltage	
type of voltage of the operating voltage	AC
insulation voltage (Ui) rated value	264 V
surge voltage resistance rated value	4 000 V
surge current resistance at (8/20) $\mu$ s	3 kA
Supply voltage	
supply voltage	
• at AC rated value	230/240 V
• for testing equipment minimum	195 V
operating frequency	50/60 Hz
supply voltage frequency rated value	50 Hz
Protection class	
protection class IP	IP20, if the distribution board is installed, with connected conductors
Switching capacity	
short-circuit current breaking capacity (Icn) according to EN 61009-1 rated value	10 kA
switching capacity current	
• according to EN 60898 rated value	10 kA
• according to IEC 60947-2 rated value	20 kA
rated residual switching capacity (I $\Delta$ m) according to IEC 61009-1	10 kA
energy limitation class	3
Dissipation	
power loss [W]	
• maximum	5.1 W
operational current	
• at 30 °C rated value	25 A
• at 40 °C rated value	23.5 A

• at 45 °C rated value	22.75 A
• at 50 °C rated value	21.75 A
• at 55 °C rated value	20.25 A
• at 60 °C rated value	20.25 A
• at 65 °C rated value	19.25 A
• at 70 °C rated value	18.25 A

**Product details**

product feature	
• halogen-free	Yes
• silicon-free	Yes

**Connections**

connectable conductor cross-section solid	
• minimum	0.75 mm <sup>2</sup>
• maximum	35 mm <sup>2</sup>
connectable conductor cross-section stranded	
• minimum	0.75 mm <sup>2</sup>
• maximum	35 mm <sup>2</sup>
connectable conductor cross-section finely stranded with core end processing	
• minimum	0.75 mm <sup>2</sup>
• maximum	25 mm <sup>2</sup>
tightening torque with screw-type terminals	
• minimum	2.5 N·m
• maximum	3 N·m
position of power supply cord	Either top or bottom

**Mechanical Design**

height	90 mm
width	36 mm
depth	77 mm
installation depth	70 mm
number of modular width units	2
mounting position	any
net weight	295 g
weight with packaging	295 g

**Environmental conditions**

influence of the surrounding temperature	Max. 95% humidity
ambient temperature during operation	
• minimum	-25 °C
• maximum	55 °C
ambient temperature during storage	
• minimum	-40 °C
• maximum	75 °C
number of test cycles for environmental testing according to IEC 60068-2-30	28

**Approvals Certificates**

<b>General Product Approval</b>	<b>Declaration of Conformity</b>
---------------------------------	----------------------------------

[Confirmation](#)



[Miscellaneous](#)



<b>Test Certificates</b>	<b>other</b>	<b>Railway</b>
--------------------------	--------------	----------------

[Miscellaneous](#)

[Special Test Certificate](#)

[Confirmation](#)

[Miscellaneous](#)

[Miscellaneous](#)

[Vibration and Shock](#)

<b>Railway</b>	<b>Dangerous Good</b>	<b>Environment</b>
----------------	-----------------------	--------------------

**Further information**

**Siemens has decided to exit the Russian market (see here).**

<https://press.siemens.com/global/en/pressrelease/siemens-wind-down-russian-business>

**Siemens is working on the renewal of the current EAC certificates.**

Please contact your local Siemens office on the status of validity of the EAC certification if you intend to import or offer to supply these products to an EAC relevant market (other than the sanctioned EAEU member states Russia or Belarus).

**Information on the packaging**

<https://support.industry.siemens.com/cs/ww/en/view/109813875>

**Information- and Downloadcenter (Catalogs, Brochures,...)**

<http://www.siemens.com/lowvoltage/catalogs>

**Industry Mall (Online ordering system)**

<https://mall.industry.siemens.com/mall/en/en/Catalog/product?mlfb=5SU1354-3KK25>

**Service&Support (Manuals, Certificates, Characteristics, FAQs,...)**

<https://support.industry.siemens.com/cs/ww/en/ps/5SU1354-3KK25>

**Image database (product images, 2D dimension drawings, 3D models, device circuit diagrams, ...)**

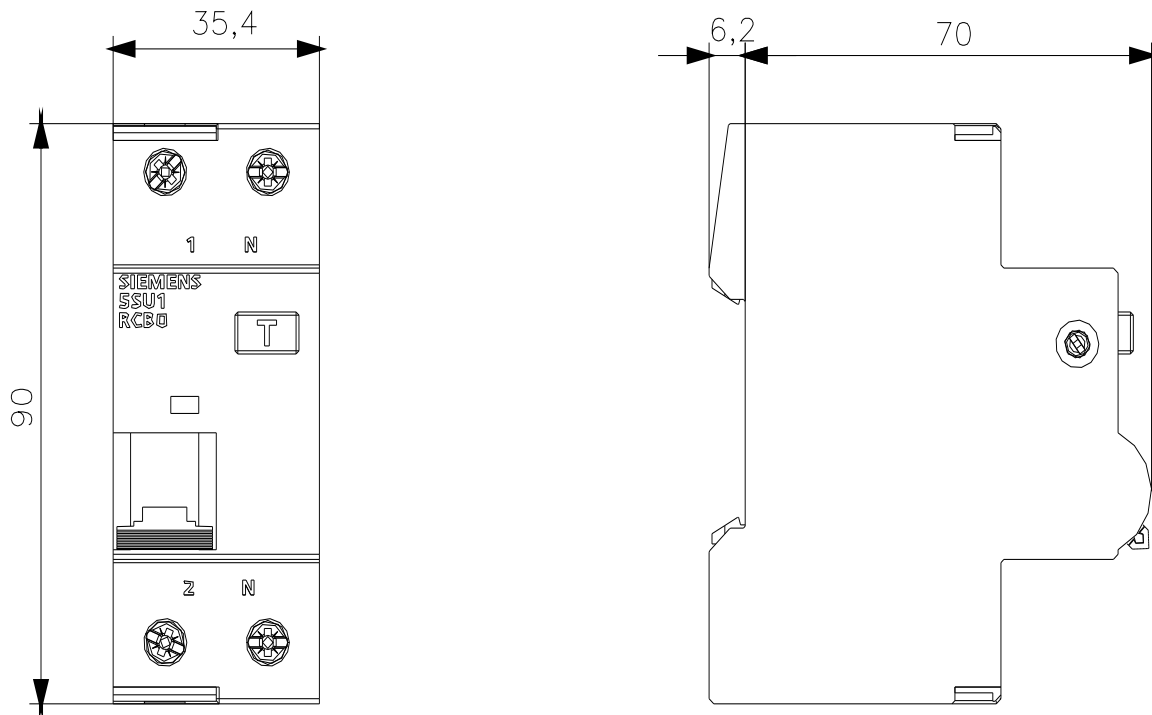
[http://www.automation.siemens.com/bilddb/cax\\_en.aspx?mlfb=5SU1354-3KK25](http://www.automation.siemens.com/bilddb/cax_en.aspx?mlfb=5SU1354-3KK25)

**CAx-Online-Generator**

<http://www.siemens.com/cax>

**Tender specifications**

<http://www.siemens.com/specifications>



last modified:

8/13/2023

