

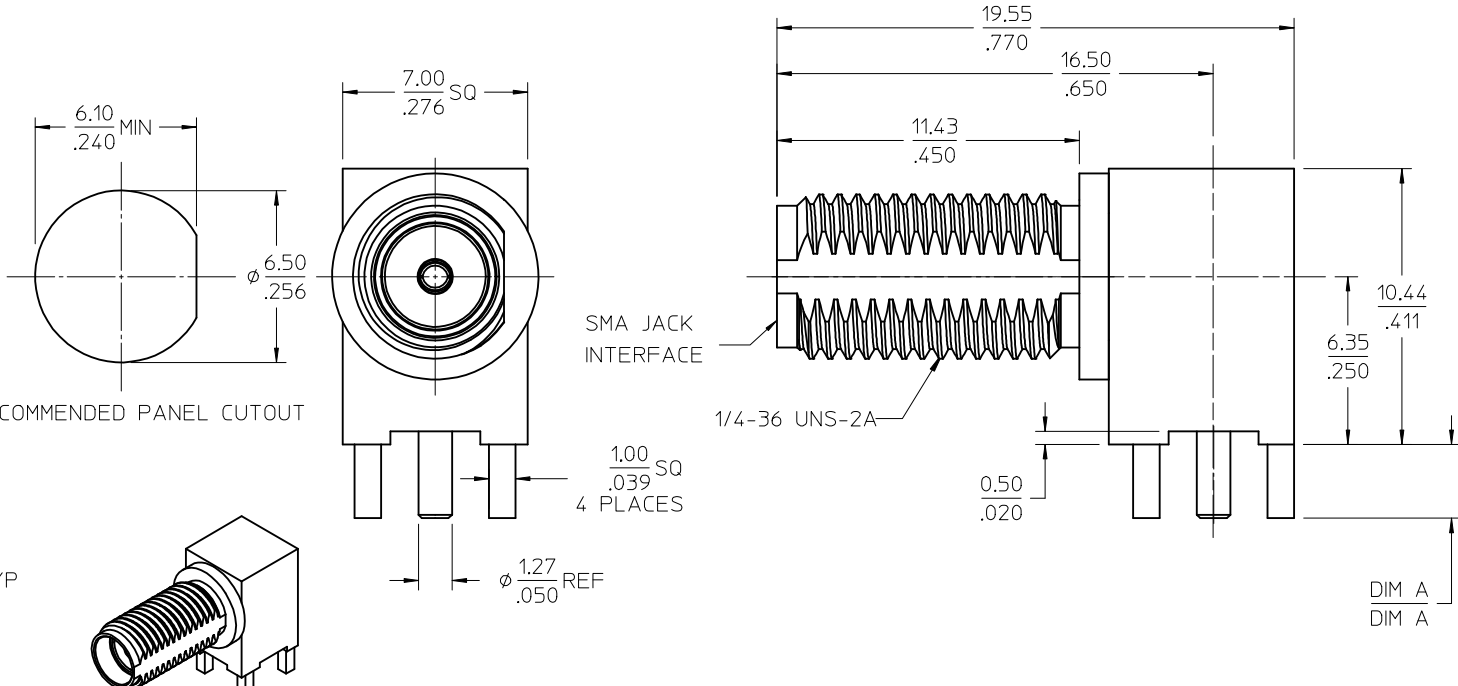
MATERIALS AND FINISHES:

BODY, JAM NUT: BRASS
FINISH: SEE TABLE

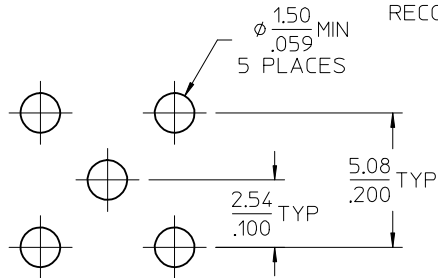
CENTER CONTACT: BERYLLIUM COPPER
PLATED GOLD

INSULATOR: TEFLON

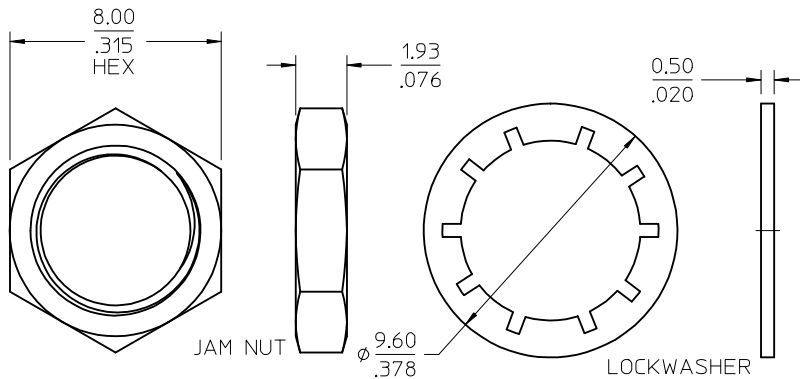
LOCKWASHER: PHOSPHOR BRONZE
FINISH: SEE TABLE



RECOMMENDED PANEL CUTOUT



RECOMMENDED PCB LAYOUT



SEE SD-73251-496 FOR PART NO. CONTINUATION

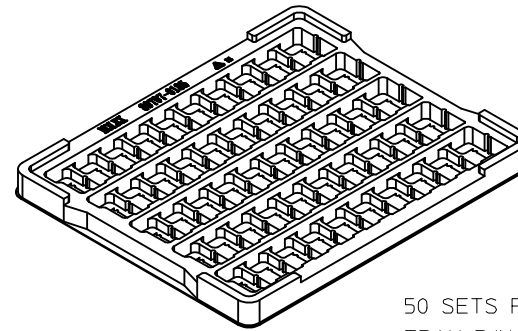
73251-2209	GOLD FLASH / STANDARD TRAY	3.94	.155
73251-2208	GOLD FLASH/STANDARD TRAY W/O WASHER AND NUT	3.94	.155
73251-2207	73251-2201 PACKAGED ONE PER BAG	2.79	.110
73251-2206	SAME AS 73251-2201 EXCEPT COMMERCIAL CONTACT	2.79	.110
73251-2205	SAME AS 73251-2200 EXCEPT COMMERCIAL CONTACT	2.79	.110
73251-2204	GOLD FLASH/STANDARD TRAY W/O WASHER AND NUT	2.79	.110
73251-2203	GOLD FLASH / STANDARD TRAY (54 CAVITY)	2.79	.110
73251-2202	73251-2201 PACKAGED IN SMALL TRAY (20 CAVITY)	2.79	.110
73251-2201	GOLD / STANDARD TRAY	2.79	.110
73251-2200	NICKEL / STANDARD TRAY	2.79	.110
PART NO.	PLATING (BODY, NUT, LOCKWASHER) AND PACKAGING	mm	IN

PS-89675-3460	ELECTRO/MECH PERFORM.
SPECIFICATION	DESCRIPTION

CHG: ADDED NOTE FOR PART NO. CONTINUATION. EC NO: URF2013-0294 DRW: ARROBERTSON 2012/11/21 CHK: DSSS 2012/11/21 APPR: WIENER 2012/11/27 REV: D11	QUALITY SYMBOLS ▽=0 ▽=0	GENERAL TOLERANCES (UNLESS SPECIFIED) mm INCH 4 PLACES ± --- ± --- 3 PLACES ± --- ± --- 2 PLACES ± --- ± --- 1 PLACE ± --- ± --- ANGULAR ± 2 °	DIMENSION STYLE MM/IN DRAWN BY DATE CLAIRE LEE 2003/08/29 CHECKED BY DATE PAT 2003/08/29 APPROVED BY DATE	SCALE DESIGN UNITS METRIC THIRD ANGLE PROJECTION	TITLE SMA JACK, R/A PCB 50 OHM SMA-J/RA/PCB EWR-2144
		MATERIAL NO. SEE TABLE	DOCUMENT NO. SD-73251-220	SHEET NO. 1 OF 1	
		DRAFT WHERE APPLICABLE MUST REMAIN WITHIN DIMENSIONS			
		THIS DRAWING CONTAINS INFORMATION THAT IS PROPRIETARY TO MOLEX INCORPORATED AND SHOULD NOT BE USED WITHOUT WRITTEN PERMISSION			

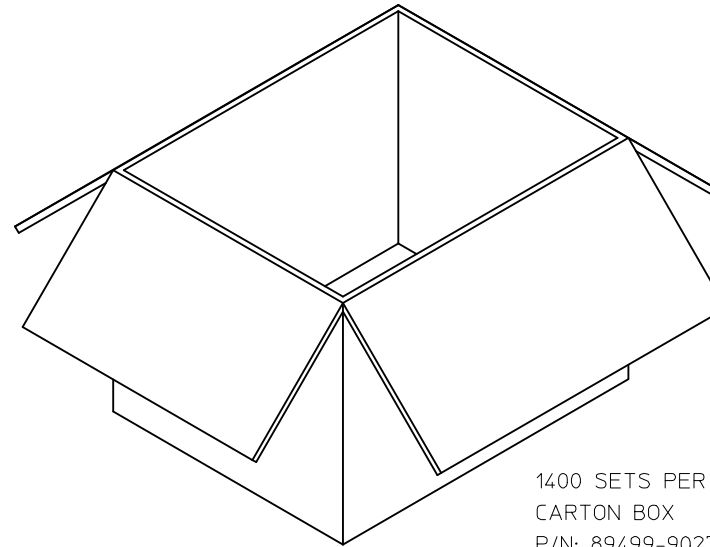


P/N: 73251-2200 / 73251-2201
 73251-2205 / 73251-2206
 73251-2208 / 73251-2209



50 SETS PER TRAY
 TRAY P/N: 89707-0185

FOR 73251-2200, 73251-2201,
 73251-2205, 73251-2206,
 73251-2208, AND 73251-2209

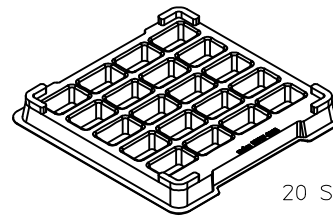


1400 SETS PER OUTER
 CARTON BOX
 P/N: 89499-9027

CHG NEW RELEASE PER RF13-E131 EC NO: URF2013-0734 DRAWN BY: RYEH 2013/06/28 CHKD: KERRIE APPR: MHUANG 2013/07/26	QUALITY SYMBOLS = 0 = 0 = 0	GENERAL TOLERANCES (UNLESS SPECIFIED)	DIMENSION STYLE MM/IN	SCALE 2.5:1	DESIGN UNITS METRIC	THIRD ANGLE PROJECTION																												
	DESCRIPTION SMA JACK R/A PCB TH 50 OHMS SMA-J/PCB	<table border="1"> <thead> <tr> <th></th> <th>mm</th> <th>INCH</th> </tr> </thead> <tbody> <tr> <td>4 PLACES</td> <td>± ---</td> <td>± ---</td> </tr> <tr> <td>3 PLACES</td> <td>± ---</td> <td>± ---</td> </tr> <tr> <td>2 PLACES</td> <td>± ---</td> <td>± ---</td> </tr> <tr> <td>1 PLACE</td> <td>± ---</td> <td>± ---</td> </tr> <tr> <td>0 PLACE</td> <td>± ---</td> <td>± ---</td> </tr> </tbody> </table>		mm	INCH	4 PLACES	± ---	± ---	3 PLACES	± ---	± ---	2 PLACES	± ---	± ---	1 PLACE	± ---	± ---	0 PLACE	± ---	± ---	<table border="1"> <tr> <td>DRAWN BY</td> <td>DATE</td> </tr> <tr> <td>RYEH</td> <td>2013/06/28</td> </tr> <tr> <td>CHECKED BY</td> <td>DATE</td> </tr> <tr> <td>KERRIE</td> <td>2013/06/28</td> </tr> <tr> <td>APPROVED BY</td> <td>DATE</td> </tr> <tr> <td>MHUANG</td> <td>2013/07/26</td> </tr> </table>	DRAWN BY	DATE	RYEH	2013/06/28	CHECKED BY	DATE	KERRIE	2013/06/28	APPROVED BY	DATE	MHUANG	2013/07/26	TITLE SMA JACK R/A PCB TH 50 OHMS SMA-J/PCB
		mm	INCH																															
	4 PLACES	± ---	± ---																															
3 PLACES	± ---	± ---																																
2 PLACES	± ---	± ---																																
1 PLACE	± ---	± ---																																
0 PLACE	± ---	± ---																																
DRAWN BY	DATE																																	
RYEH	2013/06/28																																	
CHECKED BY	DATE																																	
KERRIE	2013/06/28																																	
APPROVED BY	DATE																																	
MHUANG	2013/07/26																																	
MATERIAL NO. SEE TABLE	DOCUMENT NO. SD-73251-220-PKG	SHEET NO. 1 OF 4																																
DRAFT WHERE APPLICABLE MUST REMAIN WITHIN DIMENSIONS			THIS DRAWING CONTAINS INFORMATION THAT IS PROPRIETARY TO MOLEX INCORPORATED AND SHOULD NOT BE USED WITHOUT WRITTEN PERMISSION																															

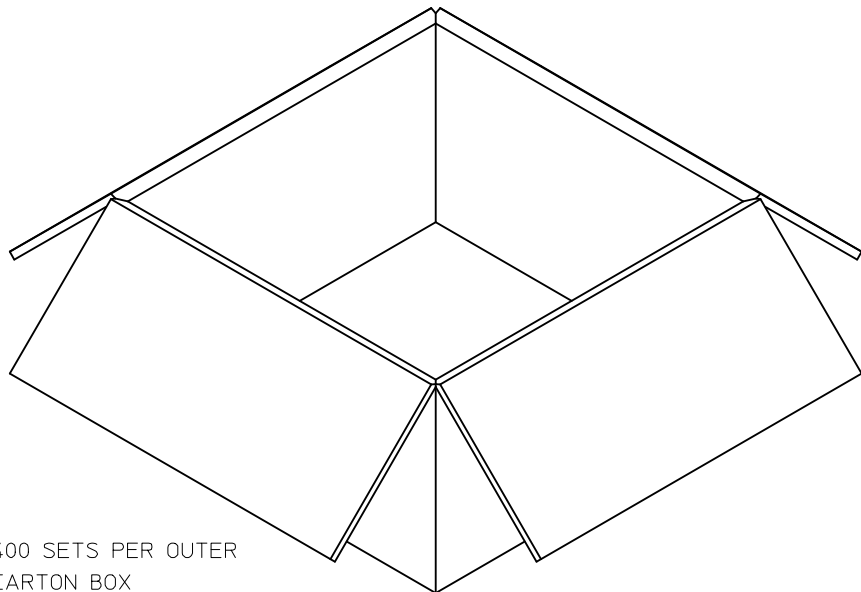


P/N: 73251-2202

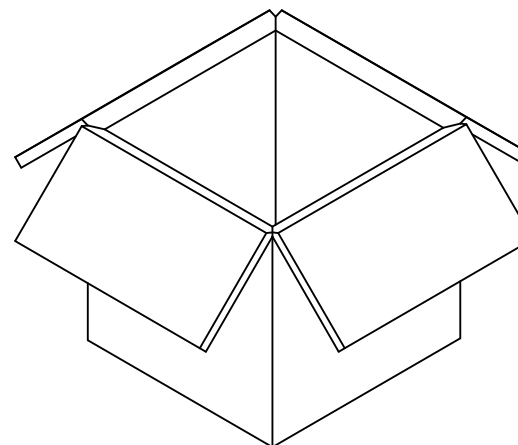


20 SETS PER TRAY
TRAY P/N: 89707-0308

FOR 73251-2202 ONLY



400 SETS PER OUTER
CARTON BOX
P/N: 96707-0002



200 SETS PER INNER
CARTON BOX
P/N: 96707-0005

CHG:SEE SHEET 1
EC NO: URF2013-0734
DRAWN:RYEH 2013/06/28
CHKD:
APPR:MHUANG 2013/07/26

REV	DESCRIPTION	QUALITY SYMBOLS
A		▽=0
		▽=0
		▽=0

GENERAL TOLERANCES (UNLESS SPECIFIED)

	mm	INCH
4 PLACES	± .005	± .0004
3 PLACES	± .005	± .0004
2 PLACES	± .005	± .0004
1 PLACE	± .005	± .0004
0 PLACE	± .005	± .0004

ANGULAR ± 2 °

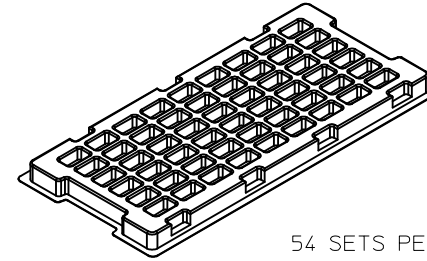
DRAFT WHERE APPLICABLE MUST REMAIN WITHIN DIMENSIONS

DIMENSION STYLE		SCALE		DESIGN UNITS	
MM/IN		2:1		METRIC	
DRAWN BY	DATE	TITLE			
RYEH	2013/06/28	SMA JACK R/A PCB TH			
CHECKED BY	DATE	50 OHMS			
KERRIE	2013/06/28	SMA-J/PCB			
APPROVED BY	DATE	molex			
MHUANG	2013/07/26				
MATERIAL NO.	DOCUMENT NO.	SHEET NO.			
SEE TABLE	SD-73251-220-PKG	2 OF 4			

THIS DRAWING CONTAINS INFORMATION THAT IS PROPRIETARY TO MOLEX INCORPORATED AND SHOULD NOT BE USED WITHOUT WRITTEN PERMISSION

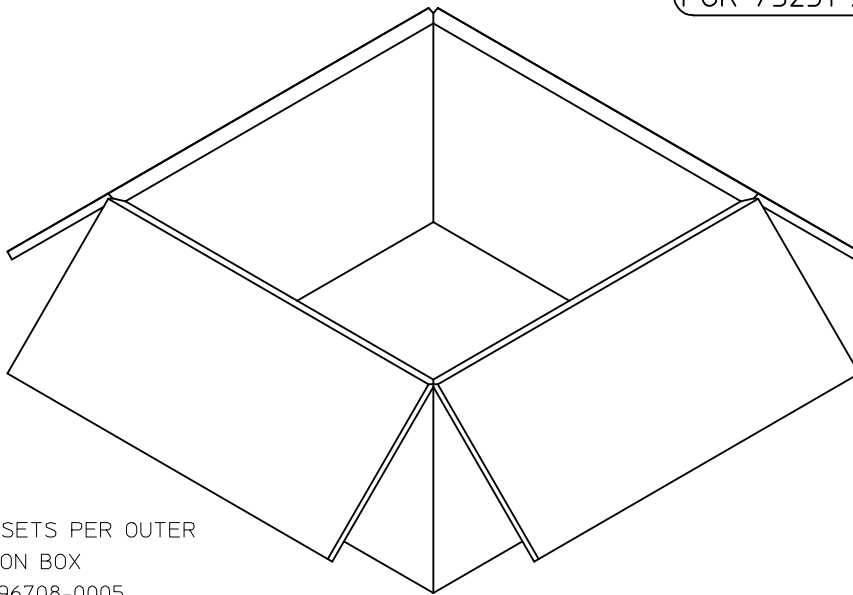


P/N: 73251-2203 / 73251-2204

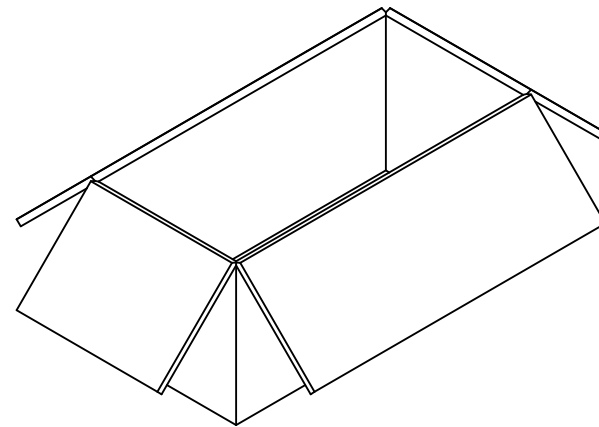


54 SETS PER TRAY
TRAY P/N: 89707-0220

FOR 73251-2203 AND 73251-2204



1080 SETS PER OUTER
CARTON BOX
P/N: 96708-0005



540 SETS PER INNER
CARTON BOX
P/N: 96707-0001

CHG:SEE SHEET 1
EC NO: URF2013-0734
DRAWN:RYEH 2013/06/28
CHKD:
APPR:MHUANG 2013/07/26

REV	DESCRIPTION
A	

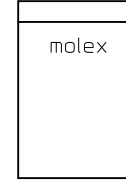
QUALITY SYMBOLS	DESCRIPTION
	=0
	=0
	=0

GENERAL TOLERANCES (UNLESS SPECIFIED)	
mm	INCH
4 PLACES ± .005	± .0002
3 PLACES ± .005	± .0002
2 PLACES ± .005	± .0002
1 PLACE ± .005	± .0002
0 PLACE ± .005	± .0002
ANGULAR ± 2°	

DIMENSION STYLE		SCALE	DESIGN UNITS	THIRD ANGLE PROJECTION
MM/IN		2:1	METRIC	
DRAWN BY	DATE	TITLE		
RYEH	2013/06/28	SMA JACK R/A PCB TH		
CHECKED BY	DATE	50 OHMS		
KERRIE	2013/06/28	SMA-J/PCB		
APPROVED BY	DATE	molex		
MHUANG	2013/07/26	MATERIAL NO.	DOCUMENT NO.	SHEET NO.
		SEE TABLE	SD-73251-220-PKG	3 OF 4
DRAFT WHERE APPLICABLE MUST REMAIN WITHIN DIMENSIONS				
THIS DRAWING CONTAINS INFORMATION THAT IS PROPRIETARY TO MOLEX INCORPORATED AND SHOULD NOT BE USED WITHOUT WRITTEN PERMISSION				

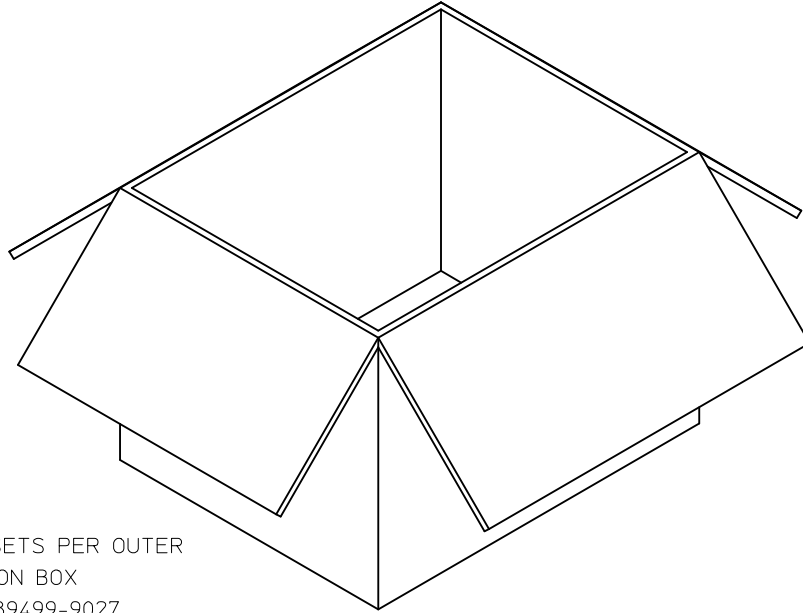


P/N: 73251-2207

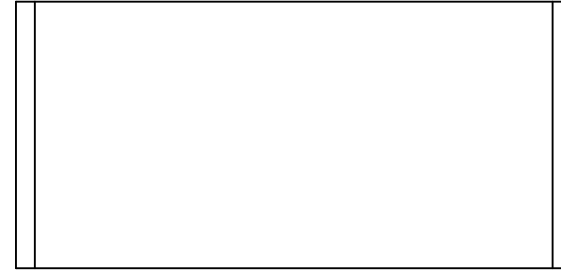


1 SET PER POLYBAG
P/N: 89707-0317

FOR 73251-2207 ONLY



500 SETS PER OUTER
CARTON BOX
P/N: 89499-9027



50 SETS PER POLYBAG
P/N: 89707-0174

CHG:SEE SHEET 1	2013/06/28
EC NO: URF2013-0734	
DRWN:RYEH	
CHKD:	
APPR:MHUANG	2013/07/26
REV	DESCRIPTION
A	

QUALITY SYMBOLS
= 0
= 0
= 0

GENERAL TOLERANCES (UNLESS SPECIFIED)	
	MM/IN
4 PLACES	± --- ± ---
3 PLACES	± --- ± ---
2 PLACES	± --- ± ---
1 PLACE	± --- ± ---
0 PLACE	± --- ± ---
ANGULAR ± 2 °	
DRAFT WHERE APPLICABLE MUST REMAIN WITHIN DIMENSIONS	

DIMENSION STYLE	
MM/IN	
DRAWN BY	DATE
RYEH	2013/06/28
CHECKED BY	DATE
KERRIE	2013/06/28
APPROVED BY	DATE
MHUANG	2013/07/26
MATERIAL NO.	
SEE TABLE	

SCALE	DESIGN UNITS	THIRD ANGLE PROJECTION
1:1	METRIC	
TITLE		
SMA JACK R/A PCB TH 50 OHMS SMA-J/PCB		
molex		
MATERIAL NO.	DOCUMENT NO.	SHEET NO.
SEE TABLE	SD-73251-220-PKG	4 OF 4
THIS DRAWING CONTAINS INFORMATION THAT IS PROPRIETARY TO MOLEX INCORPORATED AND SHOULD NOT BE USED WITHOUT WRITTEN PERMISSION		

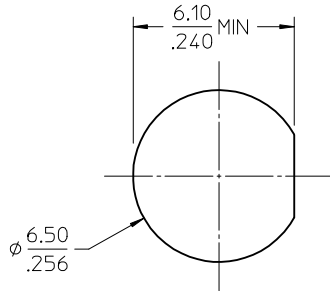
MATERIALS AND FINISHES:

BODY, JAM NUT: BRASS
FINISH: SEE TABLE

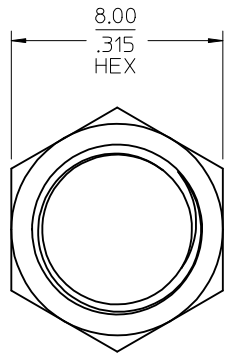
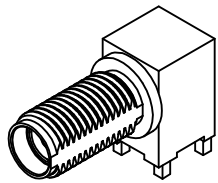
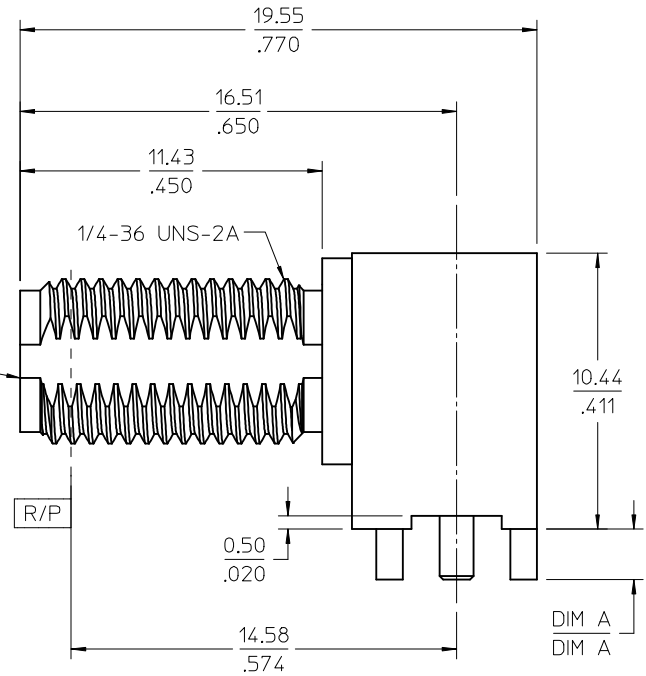
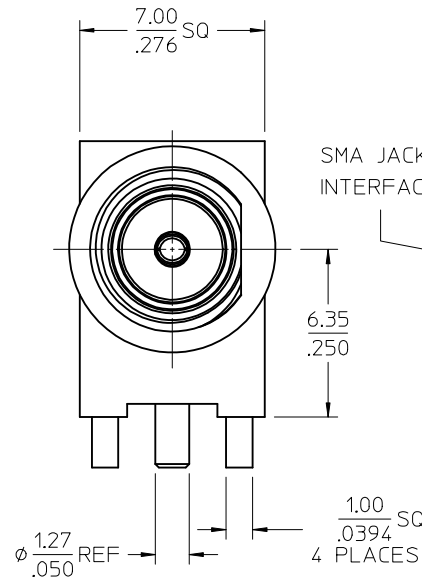
CENTER CONTACT: BERYLLIUM COPPER
PLATED GOLD

INSULATOR: TEFLON

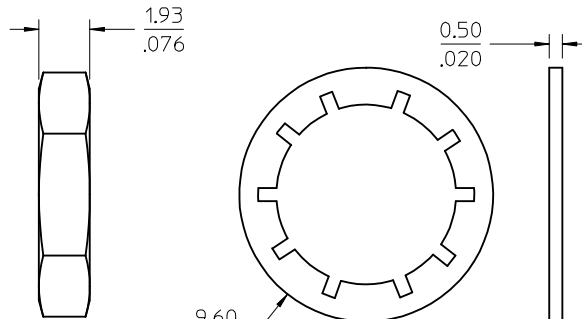
LOCKWASHER: PHOSPHOR BRONZE
FINISH: SEE TABLE



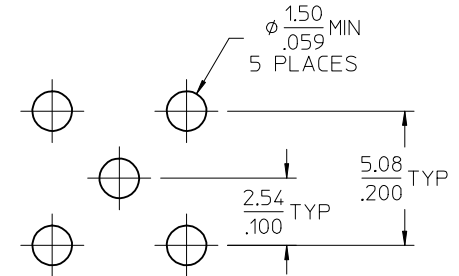
PANEL CUTOUT
3.42 / .135 MAX
THICKNESS



JAM NUT



LOCKWASHER



RECOMMENDED PCB LAYOUT

73251-4961	2	3.94 / .155	GOLD FLASH / STANDARD TRAY
73251-4960	1	1.91 / .075	GOLD FLASH / STANDARD TRAY
PART NO.	JAM NUT QTY	MM / IN	PLATING (BODY, NUT, LOCKWASHER) PACKAGING
	INCLUDED	DIM A	

PS-89675-3460	PRODUCT SPECIFICATION
MIL-STD-348A, FIG. 310.2	INTERFACE
SPECIFICATION	DESCRIPTION

SD-73251-496 IS CONTINUATION FOR SD-73251-220

CHG: -4961, TABULATED DIM A, ADDED PLATING/ PACKAGING NOTE.	EC NO: URF2014-0663	DRWN: JLE02	CHKD: SSS	APPR: WSP/INK	DATE: 2014/03/28	DATE: 2014/03/28	DATE: 2014/05/12
DESCRIPTION	REV	B1					

QUALITY SYMBOLS	GENERAL TOLERANCES (UNLESS SPECIFIED)
▽=0	mm INCH
▽=0	4 PLACES ± --- ± ---
▽=0	3 PLACES ± --- ± ---
	2 PLACES ± --- ± ---
	1 PLACE ± --- ± ---
	0 PLACE ± --- ± ---
	ANGULAR ± 2 °
	DRAFT WHERE APPLICABLE MUST REMAIN WITHIN DIMENSIONS

DIMENSION STYLE	SCALE	DESIGN UNITS	THIRD ANGLE PROJECTION
MM/IN		INCH	
DRAWN BY	DATE	TITLE	
AROBERTSON	2012/11/21	SMA JACK RA	
CHECKED BY	DATE	BLKHD RM PCB TH	
SSS	2012/11/21	SMA-J/RA/PCB, EWR-2144	
APPROVED BY	DATE	molex	
JWIENER	2012/11/27	DOCUMENT NO.	
MATERIAL NO.		SD-73251-496	
SIZE		SEE TABLE	
		THIS DRAWING CONTAINS INFORMATION THAT IS PROPRIETARY TO MOLEX INCORPORATED AND SHOULD NOT BE USED WITHOUT WRITTEN PERMISSION	

SHEET NO.	1 OF 1
-----------	--------