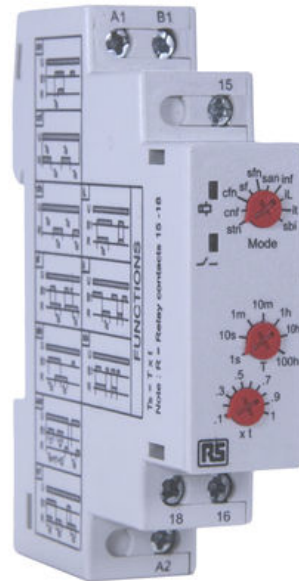


Datasheet


Stock No: [178-3459](#)

RS Pro Multi-Function 10 Time Delay Relay



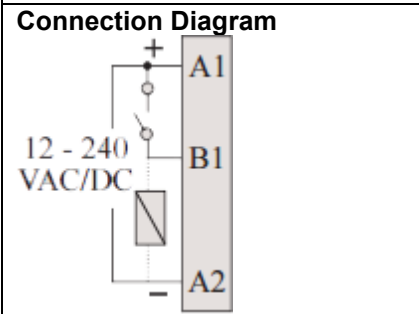
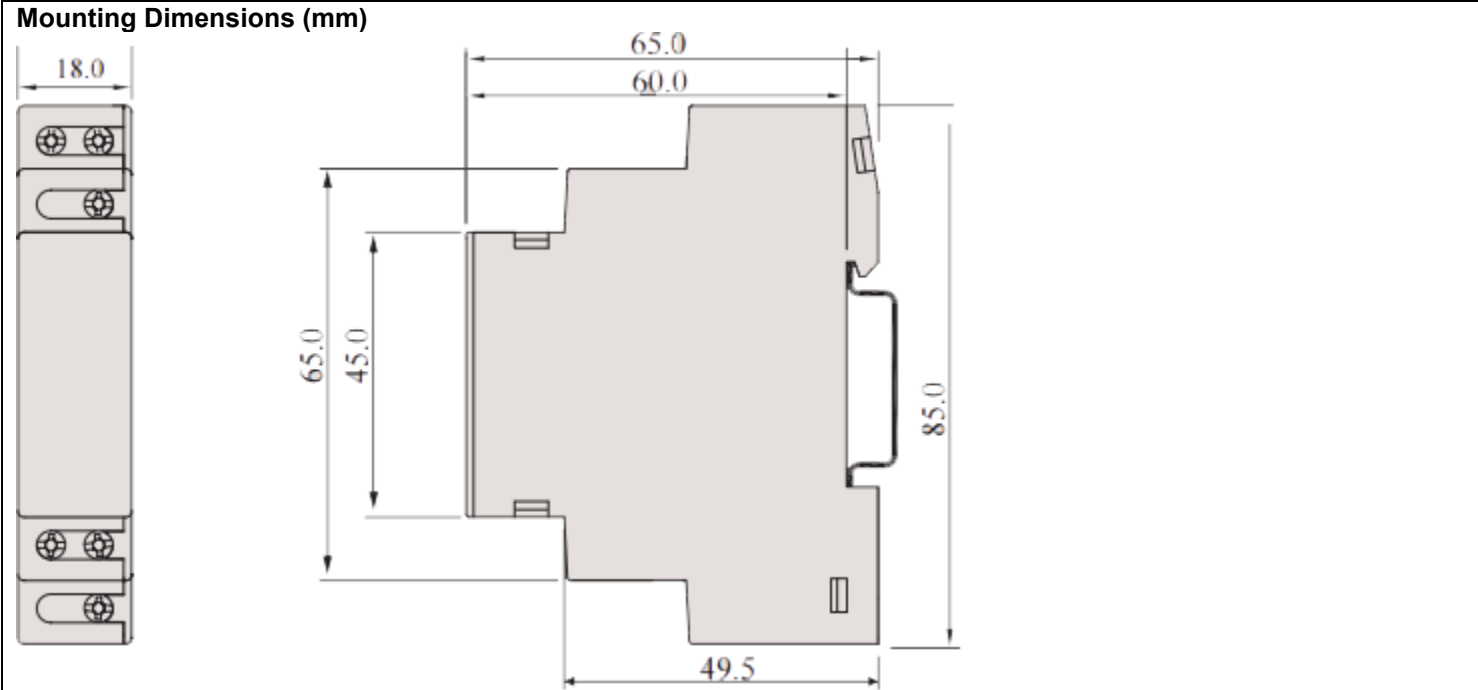
Specifications:

- Multi-function – 10 different modes
- 17.5 mm width
- 16A output relay
- DIN Rail mounting
- LED indications for power and relay status
- SPCO output relay
- 100ms-100hrs timing range
- IP20 (terminals), IP40 (enclosure) protection
- Wide voltage range

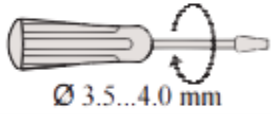

RS Stock No		178-3459
Parameters		
Timer Description		Multi-function Time Delay Relay
Modes		1) Signal ON Delay 2) Cyclic ON/OFF 3) Cyclic OFF/ON 4) Signal OFF Delay 5) Signal OFF/ON 6) Accumulative Delay on Signal 7) Impulse ON/OFF 8) Leading Edge Impulse 9) Trailing Edge Impulse 10) Leading Edge Bi-stable
Derived Modes		ON Delay, Interval
Supply Voltage		12 – 240 VAC/DC
Supply Variation		-15% to + 10% of supply
Frequency		50/60Hz
Power Consumption (max)		2 VA
Timing Range		0.1s to 100hrs
Reset Time		200ms (max)
Setting Accuracy		± 5% of Full scale
Repeat Accuracy		± 1%
Output	Relay Output	SPCO
	Contact Rating	16A @ 240 VAC / 5A @ 24 VDC (Resistive)
	Electrical Life	1x10 ⁵
	Mechanical Life	5x10 ⁶
Utilization Category	AC - 15 DC - 13	Rated Voltage (Ue): 120/240 V, Rated Current (Ie): 3.0/1.5 A Rated Voltage (Ue): 24/125/250 V, Rated Current (Ie): 2.0/0.22/0.1 A
Operating Temperature		-10°C to + 60°C
Storage Temperature		-15°C to + 70°C
LED Indication		Green LED Power ON, Amber LED Relay ON Green LED Power ON, Yellow LED Relay ON
Enclosure		Flame Retardant UL94-V0
Dimension (W x H x D) (in mm)		18 X 85 X 65
Weight (unpacked)		70 g
Mounting		Base / DIN Rail
Certification		
Degree of Protection		IP 20 for Terminals, IP 40 for Enclosure

EMI / EMC		
Harmonic Current Emissions		
ESD	IEC 61000-3-2	Ed. 3.2 (2009-04) Class A
Radiated Susceptibility	IEC 61000-4-2	Ed. 2.0 (2008-12) Level II
Electrical Fast Transients	IEC 61000-4-3	Ed. 3.2 (2010-04) Level III
Surges	IEC 61000-4-4	Ed. 3.0 (2012-04) Level IV
Conducted Susceptibility	IEC 61000-4-5	Ed. 2.0 (2005-11) Level IV
Voltage Dips & Interruptions (AC)	IEC 61000-4-6	Ed. 3.0 (2008-10) Level III
Voltage Dips & Interruptions (DC)	IEC 61000-4-11	Ed. 2.0 (2004-03) All 7 Levels
	IEC 61000-4-29	Ed. 1.0 (2000-08) All 5 Levels
Conducted Emission	CISPR 14-1	Ed. 5.2 (20011-11) Class B
Radiated Emission	CISPR 14-1	Ed. 5.2 (20011-11) Class A

Environmental		
Cold Heat	IEC 60068-2-1	Ed. 6.0 (2007-03)
Dry heat	IEC 60068-2-2	Ed. 5.0 (2007-07)
Vibration	IEC 60068-2-6	Ed. 7.0 (2007-12) 5g
Repititive Shock	IEC 60068-2-27	Ed. 4.0 (2008-02) 40g, 6ms
Non-Repititive Shock	IEC 60068-2-27	Ed. 4.0 (2008-02) 30g, 15ms



Terminal Torque & Capacity

 Ø 3.5...4.0 mm	Torque - 0.6 N.m (6 Lb.in) Terminal screw - M3
	Solid Wire - 1 X 1...4 mm ²
AWG	1 X 18 to 10