

# MICRO (M12) Distribution Box - ASBV - LED

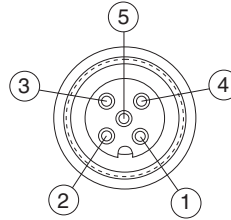
Female Outlet 5 Pole - 4 Port Actuator/Sensor Distribution Box with built-in LED - with Halogen-Free PUR Home Run Cable - IP68, NEMA 6P and C-Track Rated

4 Port - LED



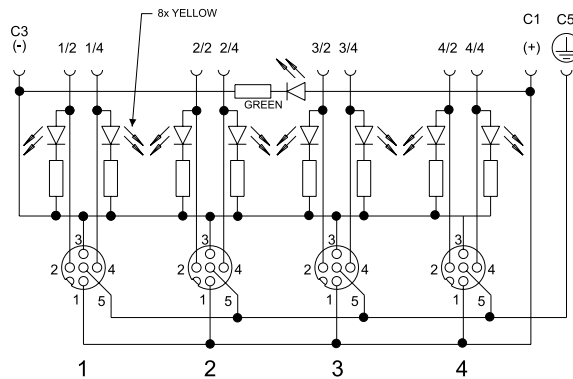
4 Port

**FEMALE PORT FACE VIEW**



**WIRING DIAGRAM  
4 PORT**

- 1 = BRN (C1)
- 3 = BLU (C3)
- 2 = GRY/PNK (1)
- RED/BLU (2)
- WHT/GRN (3)
- BRN/GRN (4)
- 4 = WHT (1)
- GRN (2)
- YEL (3)
- GRY (4)
- 5 = GRN/YEL (gnd)



## MICRO DISTRIBUTION BOX Ordering Information

**PART NUMBER**

ASBV 4/LED 5-256/xx

**Standard Cable Lengths: 5m and 10m**



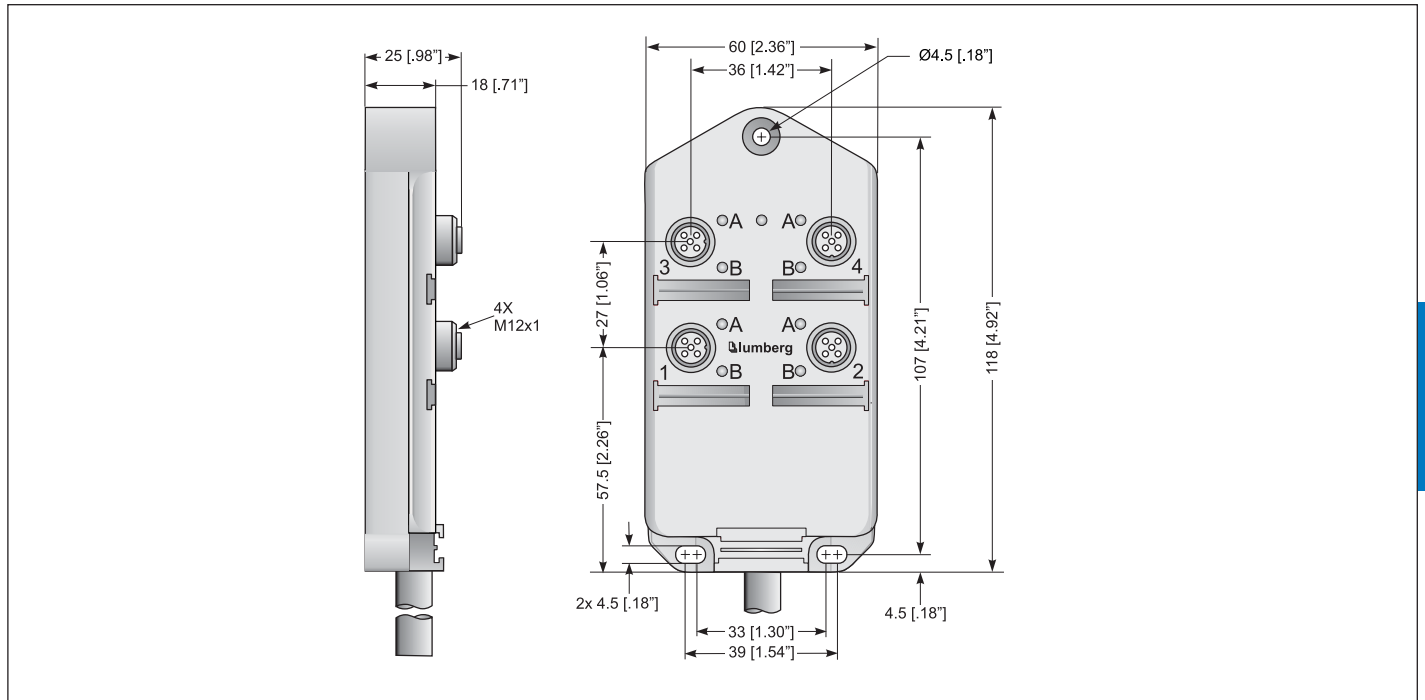
For Other Options, Contact Lumberg, Inc.

# MICRO (M12) Distribution Box - ASBV - LED



Female Outlet 5 Pole - 4 Port Actuator/Sensor Distribution Box with built-in LED - with Halogen-Free PUR Home Run Cable - IP68, NEMA 6P and C-Track Rated

## TECHNICAL SPECIFICATIONS



MICRO

### Mechanical

Housing: PUR, Orange  
Contact: Brass, Gold over Nickel plated  
Receptacle Housing: Brass, Nickel plated  
Insert: Nylon

### Electrical

Contact Resistance:  $\leq 5\text{m}\Omega$   
Current Rating: 4A/port and 12A/box  
Voltage Rating: 10-30V DC

### Environmental

Protection: IP68, NEMA 6P (Fully Locked Position Only!)  
Operating Temperature: -15°C to +90°C

### Certifications



UL Recognized, File NO. E104696



CSA Certified, File NO. LR101546-1

### Cable:

Voltage: 300V

**256:** Halogen-Free, Black PUR jacket, Hi-flex bare, 8x0.50mm<sup>2</sup> and 3x1.0mm<sup>2</sup> copper stranding

Outside Diameter: 9.3mm/.366"