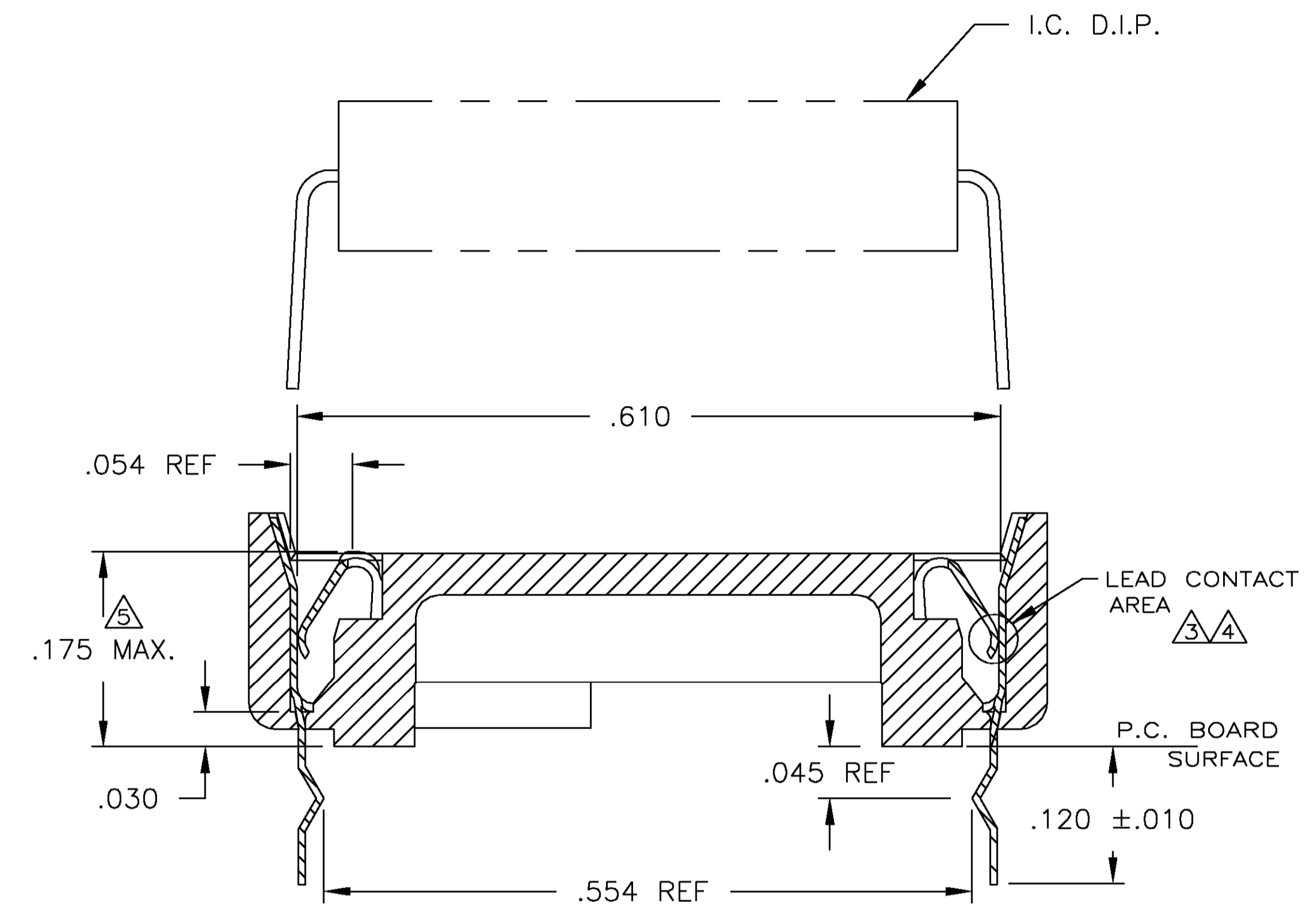
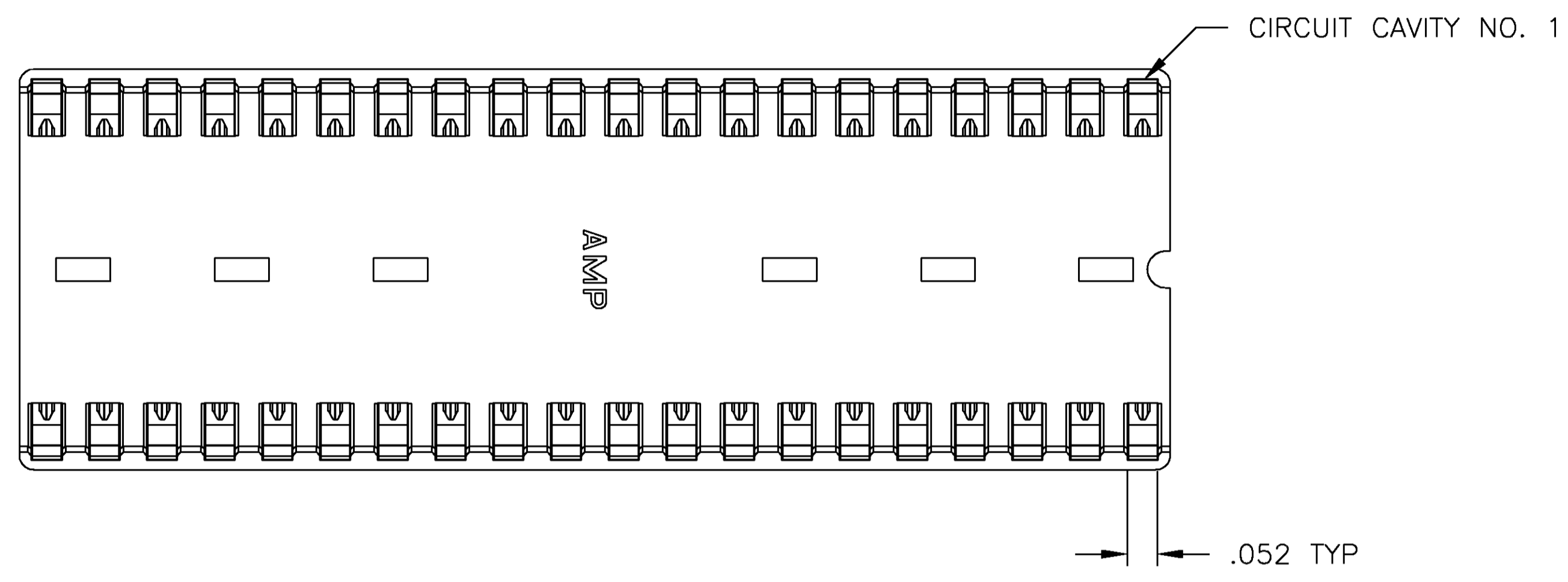
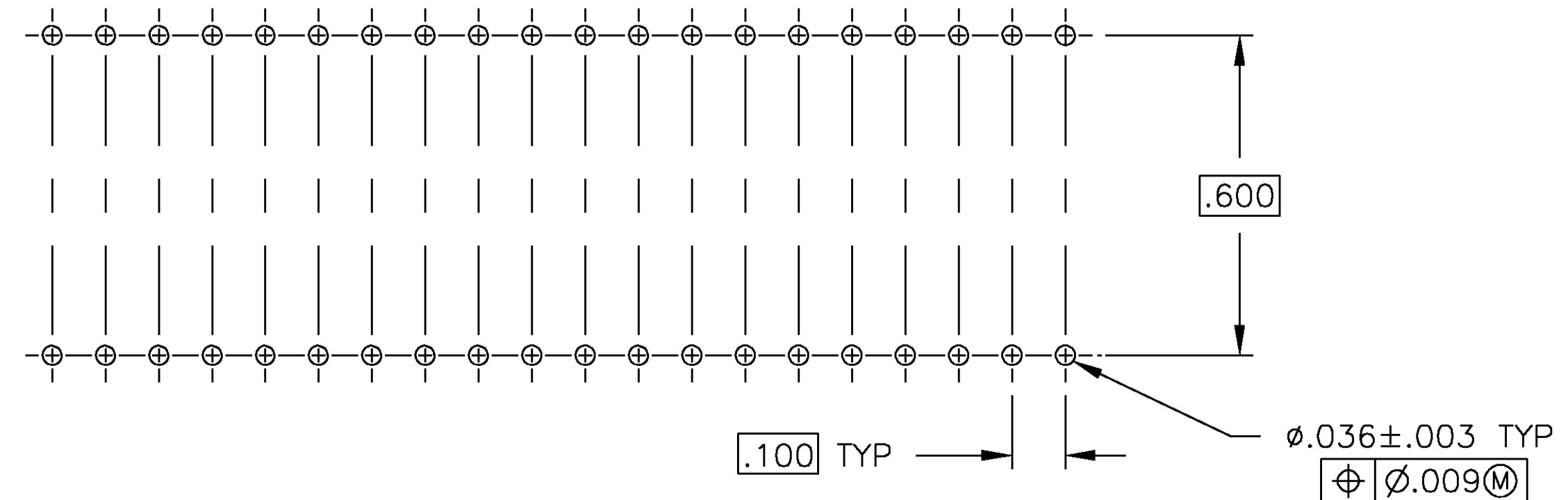
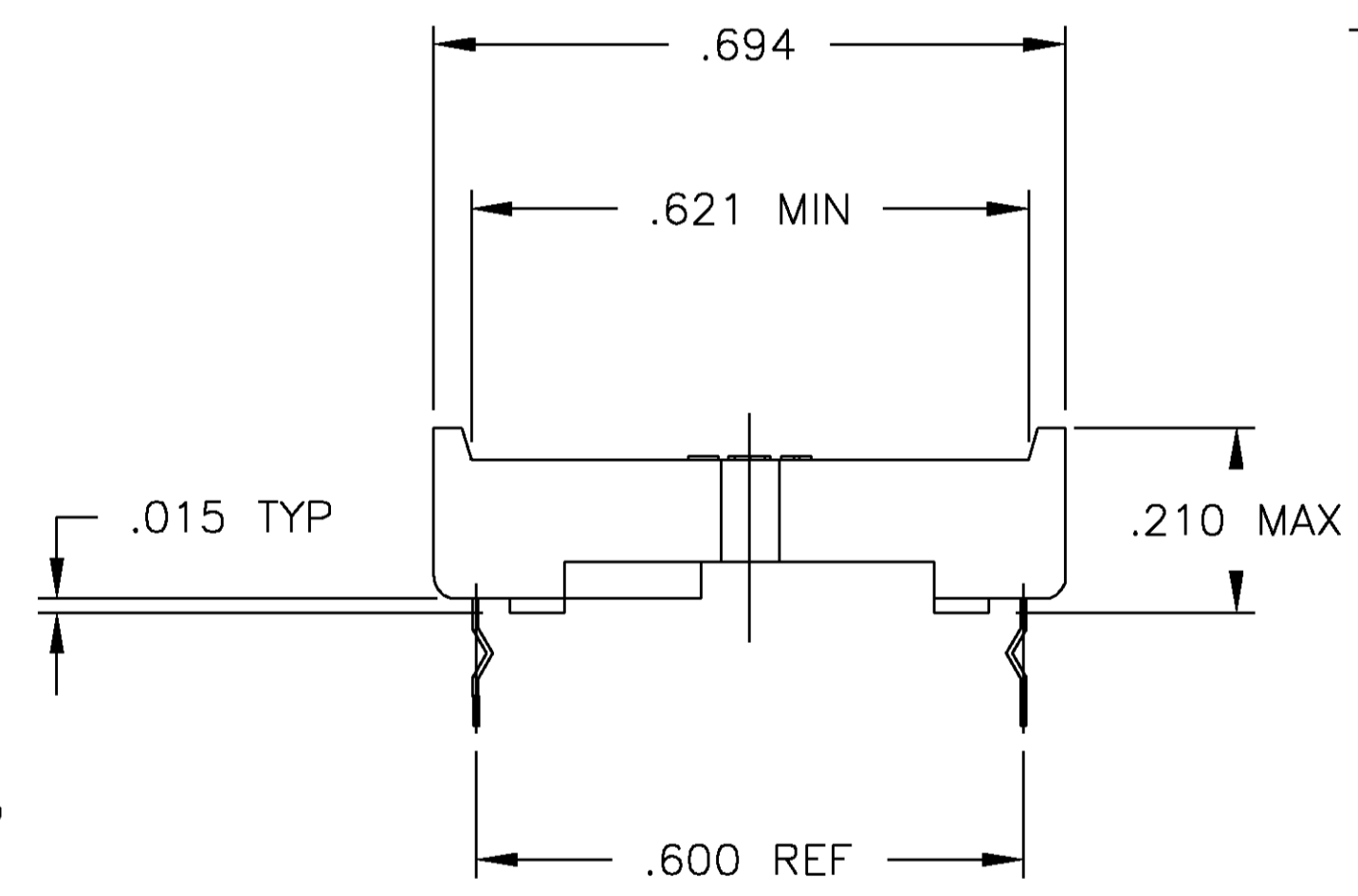
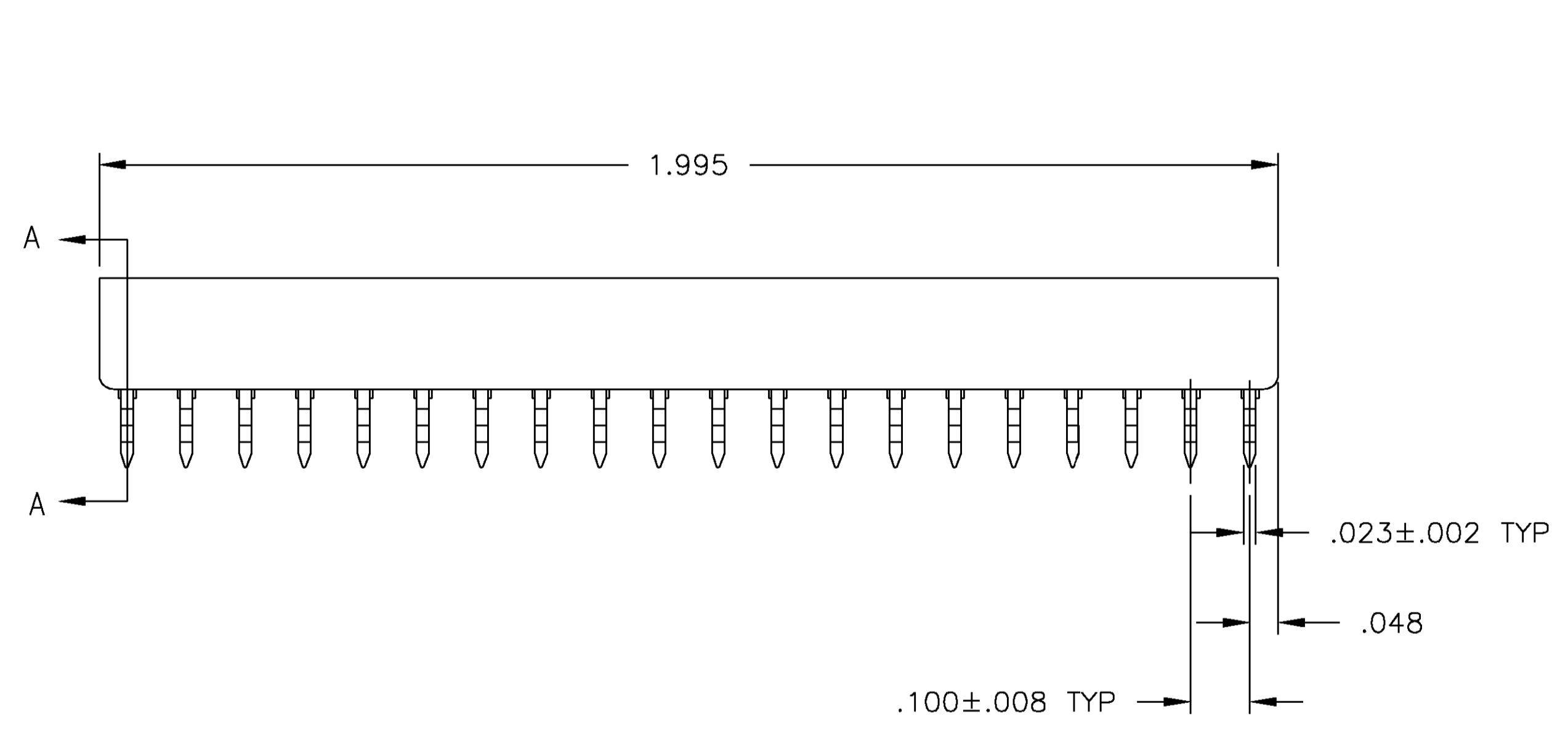


1. RECEPTACLE ACCEPTS A .008-.014 THICK I.C. LEAD.
2. TUBE LOADED.
- ③ TWO .000030 MIN THK. GOLD STRIPES IN CONTACT AREA WITH TIN-LEAD (93/7) ON CONTACT LEGS, BALANCE OF CONTACT NICKEL PLATED.
- ④ TWO .000015 MIN THK. GOLD STRIPES IN CONTACT AREA WITH TIN-LEAD (93/7) ON CONTACT LEGS, BALANCE OF CONTACT NICKEL PLATED.
- ⑤ MAXIMUM DIMENSION FOR I.C. SEATING PLANE.



SECTION A-A
SCALE 10:1



RECOMMENDED MOUNTING HOLE PATTERN
SCALE 4:1

| | | | |
|----------|--------------------|--|--|
| ④ | PHOS.BRZ. .006 THK | GLASS-FILLED THERMOPLASTIC, 94V-O, BLACK | 2-641268-4 |
| OBSOLETE | TINNED | PHOS.BRZ. .006 THK | GLASS-FILLED THERMOPLASTIC, 94V-O, BLACK |
| OBSOLETE | ④ | BE.CU. .006 THK | GLASS-FILLED THERMOPLASTIC, 94V-O, BLACK |
| | TINNED | BE.CU. .006 THK | GLASS-FILLED THERMOPLASTIC, 94V-O, BLACK |
| | CONTACT FINISH | CONTACT MAT'L | HOUSING MATERIAL |
| | | | PART NO. |

| | | | | |
|--|--|------------------|------------------------------|---------|
| THIS DRAWING IS A CONTROLLED DOCUMENT. | | DWG | R BROWN | 09JAN01 |
| | | CHK | H WYNKOOP | 25AUG00 |
| | | APP'D | H WYNKOOP | 25AUG00 |
| | | NAME | Tyco Electronics Corporation | |
| | | PRODUCT SPEC | Harrisburg, PA 17105 | |
| | | APPLICATION SPEC | SOCKET ASSY, DIP, RET LEG, | |
| | | SIZE | 40 POS, DIPLOMATE™ DL | |
| | | WEIGHT | - | |
| | | CAGE CODE | A1 00779 | |
| | | DRAWING NO | ©=641268 | |
| | | RESTRICTED TO | - | |
| | | CUSTOMER DRAWING | SCALE 5:1 SHEET 1 OF 1 REV P | |