

Gate Bolts for Non Contact Switches **Types: GBN-3**

APPLICATION:

IDEM GBN Gate Bolts when used with non contact switches provide interlocking of the guard but ensure that unintentional restart is prevented.

A deliberate action of sliding (and/or pulling GBN-3) and re-latching the gate bolt handle is required.

In conjunction with a Risk Assessment (ISO12100-1/ISO12100-2) they can be used to eliminate the risk of operators becoming accidentally trapped inside a guarded area.

FEATURES:

Manufactured in robust die cast metal and stainless steel construction.

Non contact switches are mounted to aluminium plates to maximize read range.

Over 30mm (1 1/4") adjustability (handle bracket and switch bracket mounting holes are slotted) to compensate for varying door gaps.

There are padlock holes provided to lock the handle to prevent the guard from being closed and the machine started during maintenance.

Stainless steel guide prevents accidental closure, keeps safety switches properly aligned and acts as door latch.

All individual pieces are replaceable if damaged (handle, guide, individual brackets, etc.). Switch brackets are pre-drilled to accommodate non contact safety switches (as listed).



GBN-3 shown fitted with SPF-RFID Non Contact Switch **Left Hand Version** shown.

Instant unlocking from inside the guarded area (held by springs only). Requires deliberate re-closing when re-start is required.

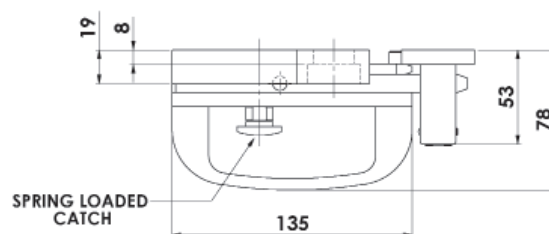
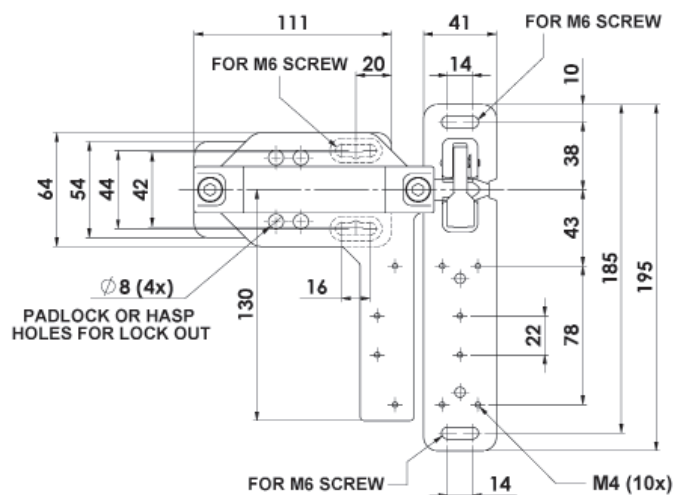
GBN-3 Gate Bolts with instant rear escape release allow operators to immediately open a closed guard from inside the danger area just by pushing the guard door. No tools or keys are needed to allow instant rear escape.

The GBN-3 Gate Bolt does not lock the guard but is retained by magnetic force to enable the guard to remain closed under normal operating conditions.

Whether opening the guard normally from the front (by using the handle) or by initiating the instant release by pushing the guard from inside the hazard zone the handle needs to be re-latched before the machine can be re-started.

A spring loaded stainless steel guide prevents the interlock being activated just by just closing or slamming the guard door.

DIMENSIONS GBN-3:



GBN-3 GATE BOLT	HANDLE POSITION	SALES NUMBER
GBN-3 (Gate Bolt Non Contact)	Left	210060
GBN-3 (Gate Bolt Non Contact)	Right	210061

SWITCHES SUITABLE FOR MOUNTING ON THE GBN-3 GATE BOLT		
GBN-3 Gate Bolt	CODED:	SPC, SMC, SMC-H, LPC, LMC
	MAGNETIC:	SPR, SMR, SMR-H, LPR, LMR
	RFID:	SPF-RFID, LPF-RFID, LPZ-RFID