

Network cable - NBC-10,0-93B/M12FSD



1407531

<https://www.phoenixcontact.com/gb/products/1407531>

Please be informed that the data shown in this PDF document is generated from our Online Catalog. Please find the complete data in the user documentation. Our General Terms of Use for Downloads are valid.



Network cable, PROFINET CAT5 (100 Mbps), EtherCAT® CAT5 (100 Mbps), 4-position, shielded (Advanced Shielding Technology), free cable end, on Socket straight M12 / IP67, coding: D, cable length: 10 m

Commercial Data

Item number	1407531
Packing unit	1 pc
Minimum order quantity	1 pc
Sales Key	BF1CJN
Product Key	BF1CJN
Catalog Page	Page 198 (C-6-2019)
GTIN	4046356778367
Weight per Piece (including packing)	673.8 g
Weight per Piece (excluding packing)	670 g
Customs tariff number	85444210
Country of origin	PL

Network cable - NBC-10,0-93B/M12FSD



1407531

<https://www.phoenixcontact.com/gb/products/1407531>

Technical Data

Notes

General	This product corresponds to the PROFINET Cabling and Interconnection Technology Guideline for PROFINET regulations, version 2.00, order no: 2.252, Chapter 10.1 Cord Sets for Balanced Cabling
General	Further products with variable cable type and variable cable length can be found in the accessories section

Product properties

Product type	Data cable preassembled
Number of positions	4
Application	Standard
No. of cable outlets	1
Shielded	yes
Coding	D - data

Insulation characteristics

Overvoltage category	II
Degree of pollution	3

Interfaces

Bus system	PROFINET
Signal type/category	PROFINET CAT5 (IEC 11801), 100 Mbps
	EtherCAT [®] CAT5 (IEC 11801), 100 Mbps
	PROFINET CAT5 (IEC 11801), 100 Mbps
	EtherCAT [®] CAT5 (IEC 11801), 100 Mbps

LED signaling

Status display	No
Status display present	No

Electrical properties

Nominal voltage U_N	48 V AC
	60 V DC
Nominal current I_N	4 A
Transmission medium	Copper

Material specifications

Color Handle area	black
Flammability rating according to UL 94	V0

Connector

Connection 1

Network cable - NBC-10,0-93B/M12FSD



1407531

<https://www.phoenixcontact.com/gb/products/1407531>

Type	free cable end
------	----------------

Connection 2

Type	Socket straight M12 / IP67
Number of positions	4
Coding type	D (Data)
Handle color	black
Material	CuSn (Contact) Ni/Au (Contact surface) PA (Contact carriers) TPU, hardly inflammable, self-extinguishing (Grip) Zinc die-cast, nickel-plated (Screw connection) FKM (Seal)
Insertion/withdrawal cycles	≥ 100
Contact resistance	≤ 5 mΩ
Insulation resistance	≥ 100 MΩ
Tightening torque	0.4 Nm
Ambient temperature (operation)	-25 °C ... 90 °C

Cable / line

Cable length	10 m
Cable weight	67 kg/km
UL AWM Style	21694
Number of positions	4
Shielded	yes
Cable type	PROFINET PVC stranded CAT5 [93B]
Signal runtime	5.3 ns/m
Signal speed	0.66 c
Conductor structure signal line	7x 0.25 mm
AWG signal line	22
Conductor cross section	4x 0.34 mm ²
Wire diameter incl. insulation	1.55 mm
External cable diameter	6.5 mm ±0.2 mm
Outer sheath, material	PVC
External sheath, color	green RAL 6018
Conductor material	Tin-plated Cu litz wires
Material wire insulation	PE
Single wire, color	White, yellow, blue, orange
Thickness, outer sheath	approx. 0.9 mm
Overall twist	Star quad
Optical shield covering	85 %
Insulation resistance	≥ 500 MΩ*km
Coupling resistance	≤ 20.00 mΩ/m (at 10 MHz)
Loop resistance	≤ 120.00 Ω/km

Network cable - NBC-10,0-93B/M12FSD



1407531

<https://www.phoenixcontact.com/gb/products/1407531>

Wave impedance	100 Ω ±15 Ω (at 100 MHz)
Nominal voltage, cable	600 V
Test voltage Core/Core	2000 V (50 Hz, 1 min.)
Test voltage Core/Shield	2000 V (50 Hz, 1 min.)
Minimum bending radius, fixed installation	3 x D
Minimum bending radius, flexible installation	7 x D
Near end crosstalk attenuation (NEXT)	80 dB (with 1 MHz)
	76 dB (at 4 MHz)
	70 dB (at 10 MHz)
	65 dB (at 16 MHz)
	63 dB (at 20 MHz)
	60 dB (at 31.25 MHz)
	55 dB (at 62.5 MHz)
	50 dB (at 100 MHz)
Shield attenuation	2.1 dB (with 1 MHz)
	4 dB (at 4 MHz)
	6.3 dB (at 10 MHz)
	8 dB (at 16 MHz)
	9 dB (at 20 MHz)
	11.4 dB (at 31.25 MHz)
	16.5 dB (at 62.5 MHz)
	21.3 dB (at 100 MHz)
Flame resistance	according to UL 1685 (CSA FT 4)
Resistance to oil	Resistant to oil to a limited extent
Other resistance	UV resistant According to UL 1581, Section 1200
Ambient temperature (operation)	-40 °C ... 70 °C (cable, fixed installation)
	-40 °C ... 70 °C (Cable, flexible installation)
Ambient temperature (installation)	-20 °C ... 60 °C
Signal type/category	PROFINET CAT5 (IEC 11801), 100 Mbps
	EtherCAT [®] CAT5 (IEC 11801), 100 Mbps

Ambient conditions

Degree of protection	IP65
	IP67

Standards and regulations

M12

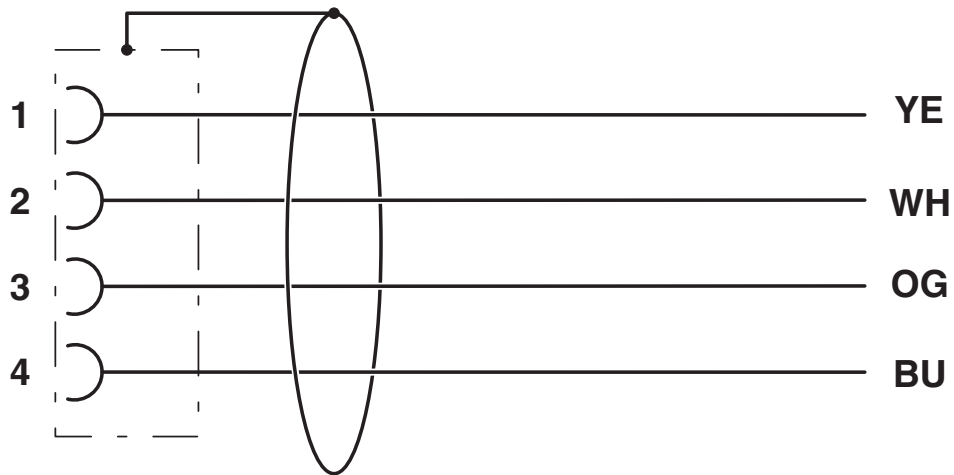
Standards/specifications	IEC 61076-2-101
--------------------------	-----------------

1407531

<https://www.phoenixcontact.com/gb/products/1407531>

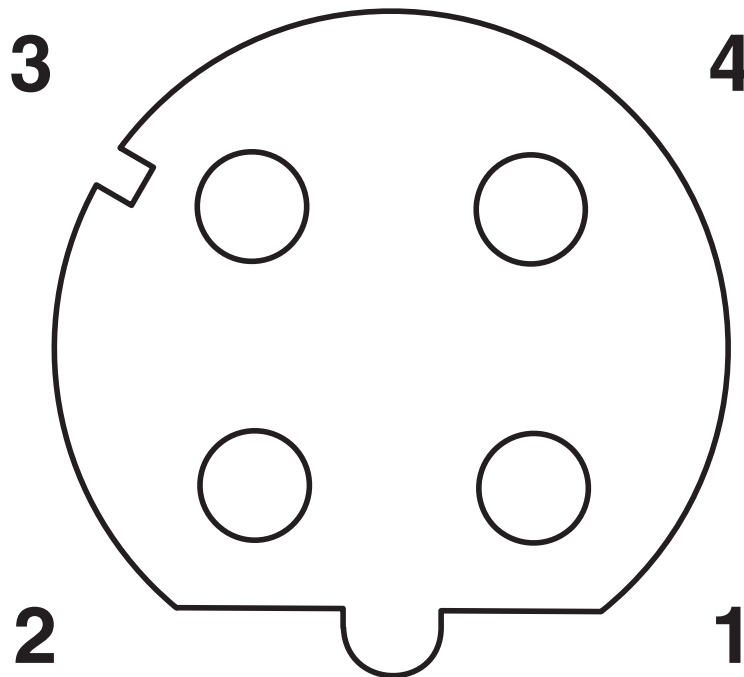
Drawings

Circuit diagram



Contact assignment of the M12 socket

Schematic diagram



Pin assignment M12 socket, 4-pos., D-coded, female side

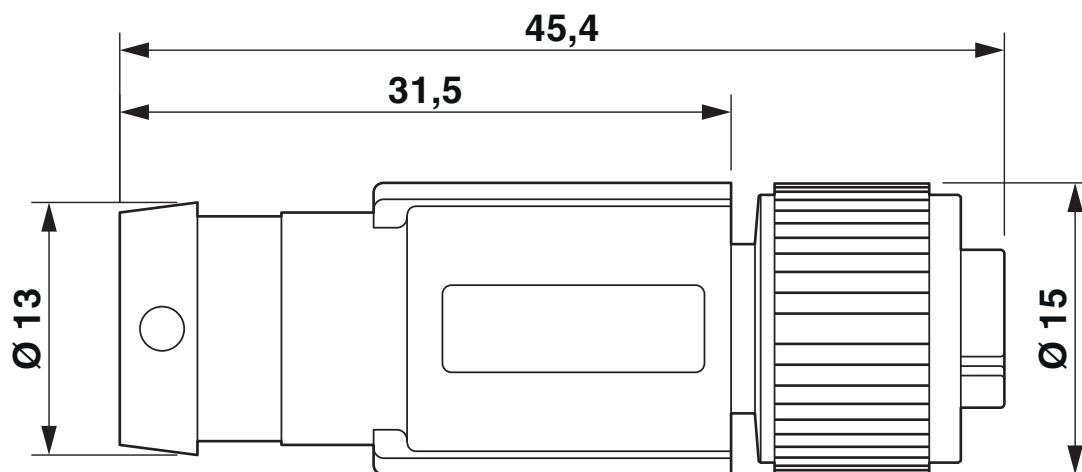
Network cable - NBC-10,0-93B/M12FSD



1407531

<https://www.phoenixcontact.com/gb/products/1407531>

Dimensional drawing



M12 x 1 socket, straight, shielded


Network cable - NBC-10,0-93B/M12FSD




1407531

<https://www.phoenixcontact.com/gb/products/1407531>

Approvals

 cUL Recognized Approval ID: FILE E 335024	Nominal Voltage U_N	Nominal Current I_N	Cross Section AWG	Cross Section mm^2
	250 V	4 A	-	-

 UL Recognized Approval ID: FILE E 335024	Nominal Voltage U_N	Nominal Current I_N	Cross Section AWG	Cross Section mm^2
	250 V	4 A	-	-

 EAC Approval ID: RU D-DE.HB35.B.00387

cULus Recognized

Network cable - NBC-10,0-93B/M12FSD



1407531

<https://www.phoenixcontact.com/gb/products/1407531>

Classifications

ECLASS

ECLASS-9.0	27060308
ECLASS-10.0.1	27060308
ECLASS-11.0	27060307

ETIM

ETIM 8.0	EC001855
----------	----------

UNSPSC

UNSPSC 21.0	26121600
-------------	----------

Network cable - NBC-10,0-93B/M12FSD



1407531

<https://www.phoenixcontact.com/gb/products/1407531>

Environmental Product Compliance

China RoHS	Environmentally friendly use period: unlimited = EFUP-e
	No hazardous substances above threshold values

Network cable - NBC-10,0-93B/M12FSD



1407531

<https://www.phoenixcontact.com/gb/products/1407531>

Accessories

Network cable

Network cable - NBC-MSD SCO-PN/.../... - 1408640

<https://www.phoenixcontact.com/gb/products/1408640>



Network cable, PROFINET CAT5 (100 Mbps), EtherCAT[®] CAT5 (100 Mbps), 4-position, Variable cable type, shielded, Plug straight M12 SPEEDCON / IP67, coding: D, on free cable end, cable length: Free input (0.2 ... 40.0 m)

Network cable

Network cable - NBC-MRD SCO-PN/.../... - 1408633

<https://www.phoenixcontact.com/gb/products/1408633>



Network cable, PROFINET CAT5 (100 Mbps), EtherCAT[®] CAT5 (100 Mbps), 4-position, Variable cable type, shielded, Plug angled M12 SPEEDCON / IP67, coding: D, on free cable end, cable length: Free input (0.2 ... 40.0 m)

Network cable - NBC-10,0-93B/M12FSD

1407531

<https://www.phoenixcontact.com/gb/products/1407531>

Network cable

Network cable - NBC-FSD SCO-PN/.../... - 1408623

<https://www.phoenixcontact.com/gb/products/1408623>

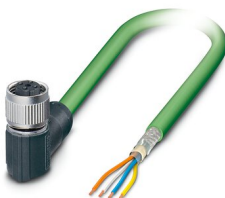


Network cable, PROFINET CAT5 (100 Mbps), EtherCAT[®] CAT5 (100 Mbps), 4-position, Variable cable type, shielded, free cable end, on Socket straight M12 SPEEDCON / IP67, coding: D, cable length: Free input (0.2 ... 40.0 m)

Network cable

Network cable - NBC-FRD SCO-PN/.../... - 1408615

<https://www.phoenixcontact.com/gb/products/1408615>



Network cable, PROFINET CAT5 (100 Mbps), EtherCAT[®] CAT5 (100 Mbps), 4-position, Variable cable type, shielded, free cable end, on Socket angled M12 SPEEDCON / IP67, coding: D, cable length: Free input (0.2 ... 40.0 m)

Network cable - NBC-10,0-93B/M12FSD

1407531

<https://www.phoenixcontact.com/gb/products/1407531>

Torque screwdriver

Torque screwdriver - TSD 04 SAC - 1208429

<https://www.phoenixcontact.com/gb/products/1208429>



Torque screwdriver, with preset torque of 0.4 Nm and 4 mm hexagonal drive for M12 connectors

Torque screwdriver

Torque screwdriver - TSD-M 1,2NM - 1212224

<https://www.phoenixcontact.com/gb/products/1212224>



Torque screw driver, accuracy as per EN ISO 6789 standard, adjustable from 0.3 - 1.2 Nm

Network cable - NBC-10,0-93B/M12FSD

1407531

<https://www.phoenixcontact.com/gb/products/1407531>

Adapter insert

Adapter insert - TSD-M SAC-BIT ADAPTER - 1212600

<https://www.phoenixcontact.com/gb/products/1212600>



Adapter bit for TSD-M...torque tools, E6.3-1/4" drive with 4 mm hexagon to accommodate SAC bits

Tool

Tool - SAC BIT M12-D15 - 1208432

<https://www.phoenixcontact.com/gb/products/1208432>



Nut for assembling sensor/actuator cables with M12 connector and M12 connectors for assembly, with a knurl diameter of 15 mm, for 4 mm hexagonal drive

Network cable - NBC-10,0-93B/M12FSD

1407531

<https://www.phoenixcontact.com/gb/products/1407531>

Screw plug

Screw plug - PROT-M12 MS-PA-CHAIN - 1430899

<https://www.phoenixcontact.com/gb/products/1430899>

M12 sealing cap with fixing band, for sensor cables, for free M12 sockets



Locking clip

Locking clip - SAC-M12-EXCLIP-F - 1558991

<https://www.phoenixcontact.com/gb/products/1558991>

Locking clip for the socket side of sensor/actuator cables with M12 connector and M12 connectors for assembly, for knurl diameter: 15 mm or for Allen key with a wrench size of 14 mm, prevents the disconnection of plug-in connections without tools



Network cable - NBC-10,0-93B/M12FSD

1407531

<https://www.phoenixcontact.com/gb/products/1407531>

Cable-cutting tool

Cable-cutting tool - CUTFOX 12 - 1212128

<https://www.phoenixcontact.com/gb/products/1212128>



Cable cutter, for copper and aluminum up to 12 mm diameter (up to 35 mm²)

Diagonal cutter

Diagonal cutter - CUTFOX-S VDE - 1212207

<https://www.phoenixcontact.com/gb/products/1212207>



Diagonal cutter for hard (piano wire) and soft wires, VDE 1000 V AC/1500 V DC tested

Network cable - NBC-10,0-93B/M12FSD

1407531

<https://www.phoenixcontact.com/gb/products/1407531>

Stripping tool

Stripping tool - VS-CABLE-STRIP-VARIO - 1657407

<https://www.phoenixcontact.com/gb/products/1657407>

Stripping tool, for the multi-level stripping of shielded cables



Diagonal cutter

Diagonal cutter - MICROFOX-SP-1 - 1212487

<https://www.phoenixcontact.com/gb/products/1212487>

Electronic diagonal cutter, tapered head, without chamfer, with opening spring, non-reflective phosphate-treated surface, punched version



Network cable - NBC-10,0-93B/M12FSD

1407531

<https://www.phoenixcontact.com/gb/products/1407531>

Stripping tool

Stripping tool - WIREFOX 4 - 1212156

<https://www.phoenixcontact.com/gb/products/1212156>



Stripping tool, for cables and conductors (especially for rubber and silicone insulations) from 0.1 - 4 mm², self-adjusting, stripping length of up to 18 mm, cutting capacity of up to 10 mm² stranded/1.5 mm² solid, replaceable stripping blade

Stripping tool

Stripping tool - WIREFOX-E 4 - 1212704

<https://www.phoenixcontact.com/gb/products/1212704>



Stripping tool, for cables and conductors (especially for rubber and silicone insulations) from 0.1 - 4 mm², self-adjusting, stripping length of up to 18 mm, cutting capacity of up to 10 mm² stranded/1.5 mm² solid, replaceable stripping blade

Network cable - NBC-10,0-93B/M12FSD

1407531

<https://www.phoenixcontact.com/gb/products/1407531>

Stripping tool

Stripping tool - WIREFOX 10 - 1212150

<https://www.phoenixcontact.com/gb/products/1212150>



Stripping tool, for cables and conductors from 0.02 - 10 mm², self-adjusting, stripping length of up to 18 mm, cutting capacity of up to 10 mm² stranded/1.5 mm² solid, replaceable stripping blade

Protective hose adapter

Protective hose adapter - WP-CTA POM 13,0 BK - 1422884

<https://www.phoenixcontact.com/gb/products/1422884>



Protective hose adapter, for corrugated hoses with a nominal size of 13 (10 x 13), corrugated in parallel

Network cable - NBC-10,0-93B/M12FSD

1407531

<https://www.phoenixcontact.com/gb/products/1407531>

Protective hose

Protective hose - WP-PA HF 13,0 BK - 3240681

<https://www.phoenixcontact.com/gb/products/3240681>



Protective hose, material: PA 6, filament: without, UV-resistant: yes, flexible, degree of protection: IP68, color: black, inflammability class in acc. with UL 94: V0, inner diameter: 10 mm, Total length: 50 m

Protective hose

Protective hose - WP-PA HF-HB 13,0 BK - 3240839

<https://www.phoenixcontact.com/gb/products/3240839>



Protective hose, material: PA 6, filament: without, UV-resistant: yes, flexible, degree of protection: IP68, color: black, inflammability class in acc. with UL 94: HB, inner diameter: 10 mm, Total length: 50 m

Network cable - NBC-10,0-93B/M12FSD

1407531

<https://www.phoenixcontact.com/gb/products/1407531>

Data connector

Data connector - SACC-M12MSD-4QO SH PN - 1411068

<https://www.phoenixcontact.com/gb/products/1411068>



Data connector, PROFINET CAT5 (100 Mbps), 4-position, halogen-free, shielded, Plug straight M12 SPEEDCON, Coding: D, Insulation displacement connection, knurl material: Zinc die-cast, nickel-plated, external cable diameter 5 mm ... 9.7 mm

Data connector

Data connector - SACC-M12MRD-4Q SH PN - 1554539

<https://www.phoenixcontact.com/gb/products/1554539>



Data connector, PROFINET CAT5 (100 Mbps), 4-position, shielded, Plug angled M12, Coding: D, Insulation displacement connection, knurl material: Nickel-plated brass, external cable diameter 4 mm ... 8 mm

Network cable - NBC-10,0-93B/M12FSD

1407531

<https://www.phoenixcontact.com/gb/products/1407531>

Data connector

Data connector - SACC-M12FSD-4QO SH PN - 1411071

<https://www.phoenixcontact.com/gb/products/1411071>



Data connector, PROFINET CAT5 (100 Mbps), 4-position, halogen-free, shielded, Socket straight M12 SPEEDCON, Coding: D, Insulation displacement connection, knurl material: Zinc die-cast, nickel-plated, external cable diameter 5 mm ... 9.7 mm

Data connector

Data connector - SACC-M12FRD-4Q SH PN - 1554542

<https://www.phoenixcontact.com/gb/products/1554542>



Data connector, PROFINET CAT5 (100 Mbps), 4-position, shielded, Socket angled M12, Coding: D, Insulation displacement connection, knurl material: Nickel-plated brass, external cable diameter 4 mm ... 8 mm

Network cable - NBC-10,0-93B/M12FSD

1407531

<https://www.phoenixcontact.com/gb/products/1407531>

Conductor connectors

Conductor connectors - SACC-CC-4QO SH PN - 1414416

<https://www.phoenixcontact.com/gb/products/1414416>



Cable connector, PROFINET CAT5 (100 Mbps), 4-pos., halogen-free, shielded, insulation displacement connection, housing material: zinc die-cast, nickel-plated, outer cable diameter of 5 mm ... 9.7 mm

Data connector

Data connector - SACC-M12MSD-4PL SH PN - 1424682

<https://www.phoenixcontact.com/gb/products/1424682>



Data connector, PROFINET CAT5 (100 Mbps), 4-position, shielded, Plug straight M12, Coding: D, Push-lock spring connection, knurl material: Zinc die-cast, nickel-plated, external cable diameter 4 mm ... 8 mm

Network cable - NBC-10,0-93B/M12FSD



1407531

<https://www.phoenixcontact.com/gb/products/1407531>

Data connector

Data connector - SACC-M12MRD-4PL SH PN - 1424684

<https://www.phoenixcontact.com/gb/products/1424684>



Data connector, PROFINET CAT5 (100 Mbps), 4-position, shielded, Plug angled M12, Coding: D, Push-lock spring connection, knurl material: Zinc die-cast, nickel-plated, external cable diameter 4 mm ... 8 mm

Data connector

Data connector - SACC-M12FSD-4PL SH PN - 1424683

<https://www.phoenixcontact.com/gb/products/1424683>



Data connector, PROFINET CAT5 (100 Mbps), 4-position, shielded, Socket straight M12, Coding: D, Push-lock spring connection, knurl material: Zinc die-cast, nickel-plated, external cable diameter 4 mm ... 8 mm

Network cable - NBC-10,0-93B/M12FSD

1407531

<https://www.phoenixcontact.com/gb/products/1407531>

Data connector

Data connector - SACC-M12FRD-4PL SH PN - 1424685

<https://www.phoenixcontact.com/gb/products/1424685>



Data connector, PROFINET CAT5 (100 Mbps), 4-position, shielded, Socket angled M12, Coding: D, Push-lock spring connection, knurl material: Zinc die-cast, nickel-plated, external cable diameter 4 mm ... 8 mm

Data connector

Data connector - SACC-M12MSD-4CT-CM SH PN - 1422846

<https://www.phoenixcontact.com/gb/products/1422846>



Data connector, PROFINET CAT5 (100 Mbps), 4-position, shielded, Plug straight M12, Coding: D, Crimp connection, knurl material: Zinc die-cast, tin-plated, external cable diameter 4.5 mm ... 7.5 mm, without crimp contacts

Network cable - NBC-10,0-93B/M12FSD

1407531

<https://www.phoenixcontact.com/gb/products/1407531>

Data connector

Data connector - SACC-M12MRD-4CT-CM SH PN - 1422847

<https://www.phoenixcontact.com/gb/products/1422847>



Data connector, PROFINET CAT5 (100 Mbps), 4-position, shielded, Plug angled M12, Coding: D, Crimp connection, knurl material: Zinc die-cast, tin-plated, external cable diameter 4.5 mm ... 7.5 mm, without crimp contacts

Data connector

Data connector - SACC-M12FSD-4CT-CM SH PN - 1422848

<https://www.phoenixcontact.com/gb/products/1422848>



Data connector, PROFINET CAT5 (100 Mbps), 4-position, shielded, Socket straight M12, Coding: D, Crimp connection, knurl material: Zinc die-cast, tin-plated, external cable diameter 4.5 mm ... 7.5 mm, without crimp contacts

Network cable - NBC-10,0-93B/M12FSD

1407531

<https://www.phoenixcontact.com/gb/products/1407531>

Data connector

Data connector - SACC-M12FRD-4CT-CM SH PN - 1422849

<https://www.phoenixcontact.com/gb/products/1422849>



Data connector, PROFINET CAT5 (100 Mbps), 4-position, shielded, Socket angled M12, Coding: D, Crimp connection, knurl material: Zinc die-cast, tin-plated, external cable diameter 4.5 mm ... 7.5 mm, without crimp contacts

RJ45 connector

RJ45 connector - VS-PN-RJ45-5-Q/IP20 - 1658435

<https://www.phoenixcontact.com/gb/products/1658435>



RJ45 connector, type: RJ45, degree of protection: IP20, number of positions: 4, 100 Mbps, CAT5 (IEC 11801:2002), material: PA, connection method: IDC fast connection, cable outlet: straight, color: traffic grey A RAL 7042, PROFINET

Network cable - NBC-10,0-93B/M12FSD

1407531

<https://www.phoenixcontact.com/gb/products/1407531>

RJ45 connector

RJ45 connector - CUC-IND-C1ZNI-S/R4IP8 - 1421126

<https://www.phoenixcontact.com/gb/products/1421126>



RJ45 connector, type: RJ45, degree of protection: IP20, number of positions: 8, 1 Gbps, CAT5 (IEC 11801:2002), material: Zinc die-cast, connection method: IDC fast connection, connection cross section: AWG 23- 22, cable outlet: straight, color: green, PROFINET

RJ45 connector

RJ45 connector - CUC-IND-C1ZNI-T/R4IP8 - 1421128

<https://www.phoenixcontact.com/gb/products/1421128>



RJ45 connector, type: RJ45, degree of protection: IP20, number of positions: 8, 1 Gbps, CAT5 (IEC 11801:2002), material: Zinc die-cast, connection method: IDC fast connection, connection cross section: AWG 23- 22, cable outlet: angled, Ethernet/PROFINET

Network cable - NBC-10,0-93B/M12FSD

1407531

<https://www.phoenixcontact.com/gb/products/1407531>

RJ45 connector

RJ45 connector - CUC-IND-C1ZNI-B/R4IP8 - 1421127

<https://www.phoenixcontact.com/gb/products/1421127>



RJ45 connector, type: RJ45, degree of protection: IP20, number of positions: 8, 1 Gbps, CAT5 (IEC 11801:2002), material: Zinc die-cast, connection method: IDC fast connection, connection cross section: AWG 23- 22, cable outlet: angled, Ethernet/PROFINET

RJ45 connector

RJ45 connector - CUC-V14-C1ZNI-S/R4P8 - 1422664

<https://www.phoenixcontact.com/gb/products/1422664>



Push-pull connector (version 14), die-cast zinc, with RJ45 connector insert, 8-pos., with IDC fast connection technology, for 1 and 7-wire cores, 23 ... 22 AWG, for cable diameter of 5.5 mm ... 10 mm

Network cable - NBC-10,0-93B/M12FSD



1407531

<https://www.phoenixcontact.com/gb/products/1407531>

RJ45 connector

RJ45 connector - CUC-V14-C1ZNI-T/R4P8 - 1422667

<https://www.phoenixcontact.com/gb/products/1422667>



Push-pull connector (version 14), die-cast zinc, with RJ45 connector insert, 8-pos., with IDC fast connection technology, for 1 and 7-wire cores, 23 ... 22 AWG, for cable diameter of 5.5 mm ... 10 mm

RJ45 connector

RJ45 connector - CUC-V14-C1ZNI-B/R4P8 - 1422665

<https://www.phoenixcontact.com/gb/products/1422665>



Push-pull connector (version 14), die-cast zinc, with RJ45 connector insert, 8-pos., with IDC fast connection technology, for 1 and 7-wire cores, 23 ... 22 AWG, for cable diameter of 5.5 mm ... 10 mm

Phoenix Contact 2022 © - all rights reserved
<https://www.phoenixcontact.com>

PHOENIX CONTACT Ltd
Halesfield 13, Telford
Shropshire, TF7 4PG
01952 681700
info@phoenixcontact.co.uk