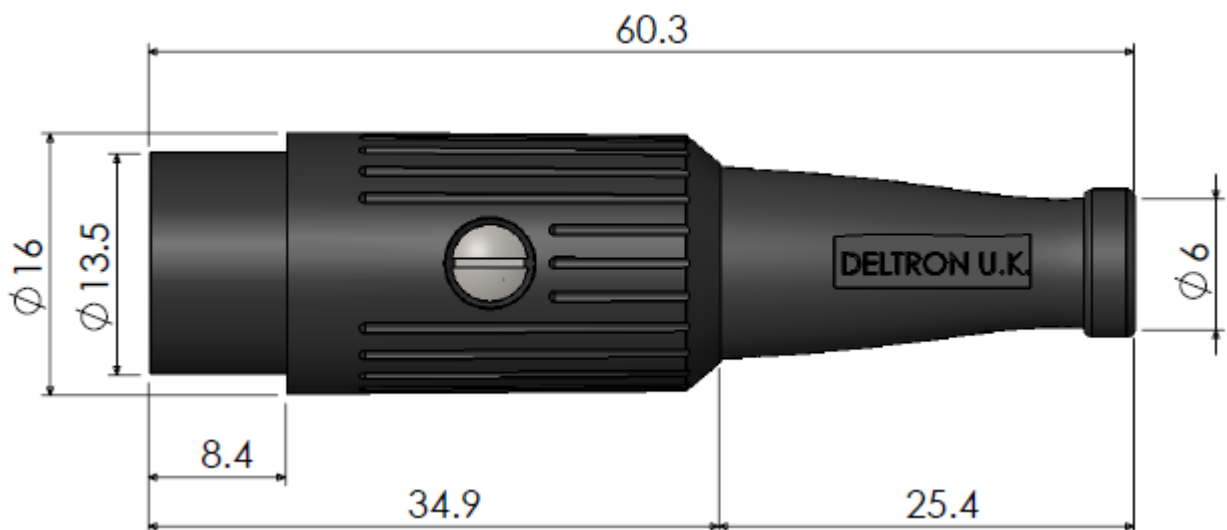


## Datasheet

# 8 Pole Male DIN Connector

RS Stock number [110-2876](#)

### Dimensions: mm

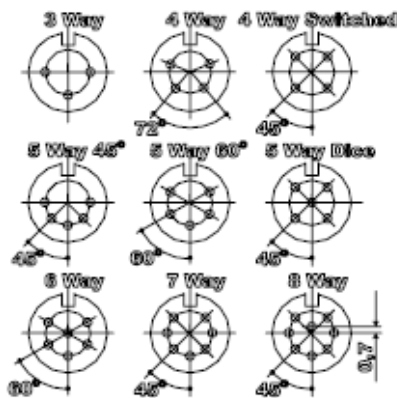


### Description:

A fully screened robust range of DIN connectors for use in instrumentation and audio applications. Available in non-reflective electrically conductive matt black. Robust construction incorporating cable grip and strain relief.

**Specifications:**

Housing:	Zinc Alloy, non-reflective matt black plated over copper
Moulding:	Nylon
Contacts:	Brass silver plated
Cable Clamp:	Mild Steel Zinc Plated
Grommet:	Black P.V.C
Rated Voltage:	34 V a.c or d.c
Current Rating:	2A
Test Voltage:	500V r.m.s
Capacitance (mated):	3pF
Climatic category:	25/070/21
Temperature Range:	-25°C to +70°C
Damp heat, steady state:	21 days



Type	Deltron No
3 Way	611-0300
4 Way	611-0400
5 Way 45°	611-0500
5 Way 60°	611-0510
5 Way Dice	611-0520
6 Way	611-0600
7 Way	611-0700
8 Way	611-0800