

Bourdon Tube Pressure Gauges, Stainless Steel
Modelcode type: 23X.50
Item number: 82254184
Description

Design	EN 837-1
Nominal size	063 mm
Accuracy class	class 1.6
Scale range	0...1 MPa
Unit of outer Scale	MPa
Process connection	G 1/4 B
Connector location	lower mount

Materials

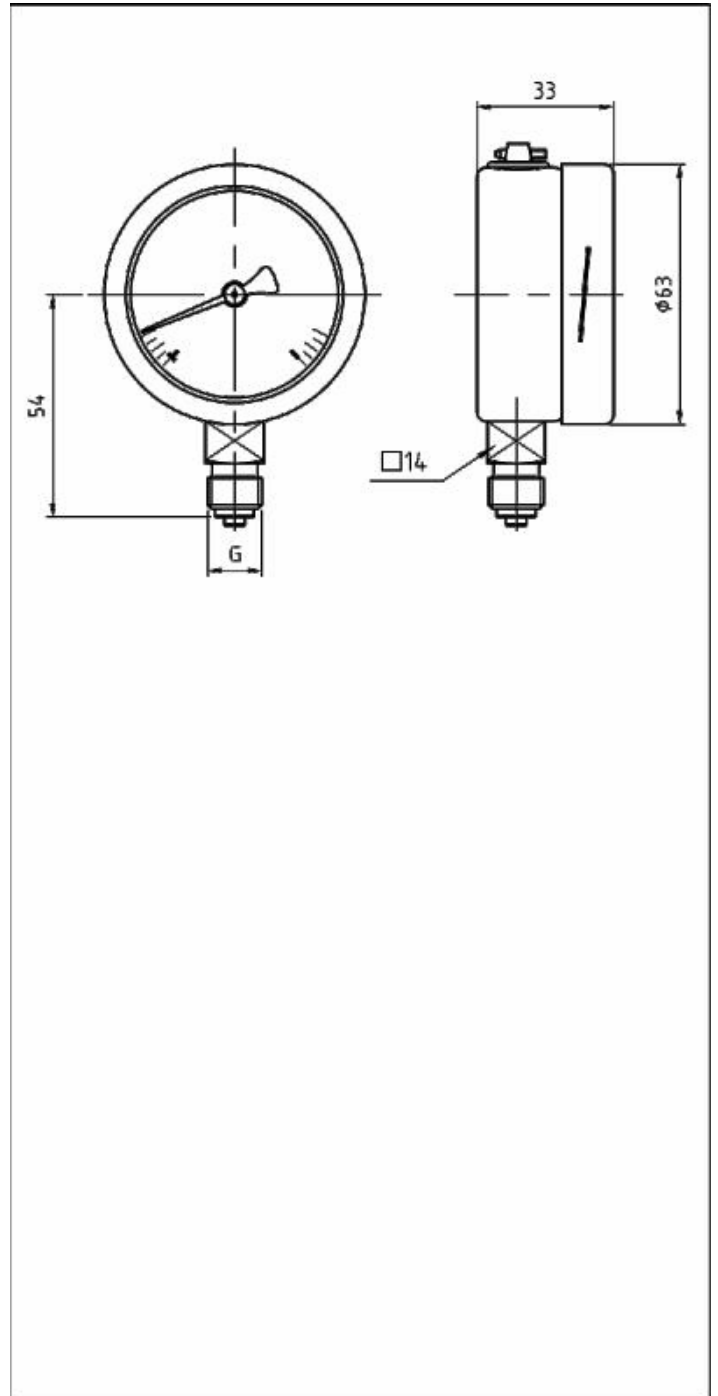
Measuring system	stainless steel
Movement	
Dial	Aluminum, white
Pointer	aluminium, black
Case material	Stainless steel 1.4301
Window	polycarbonate
Bezel ring	cam ring (bayonet type), stainless steel
Case filling fluid	glycerine

Operating conditions

Permissible medium temperature	+ 100 °C
Permissible ambient temperature	-20 ... +60 °C
Ingress protection	IP 65

Test report 2.2 per EN 10204

Certificate type	Test certificate acc. to EN 10204 2.2
Certificate Language	English and German
Certificate for	pressure gauge
Tests and certificates	Accuracy certificate
Detailed Specification	Certification of class and accuracy

Labelcode


Bourdon Tube Pressure Gauges, Stainless Steel

Modelcode type: 23X.50

Item number: 82254184

Label	WIKA standard without / with Tag-number
language of the label	German