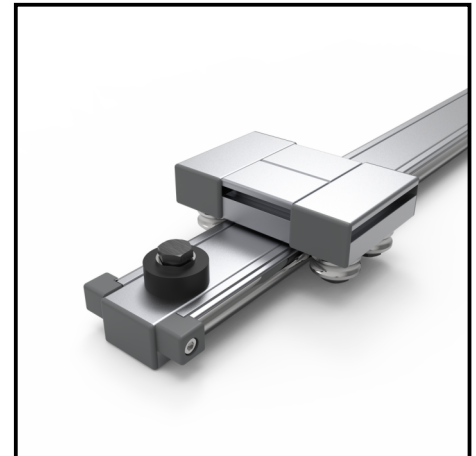
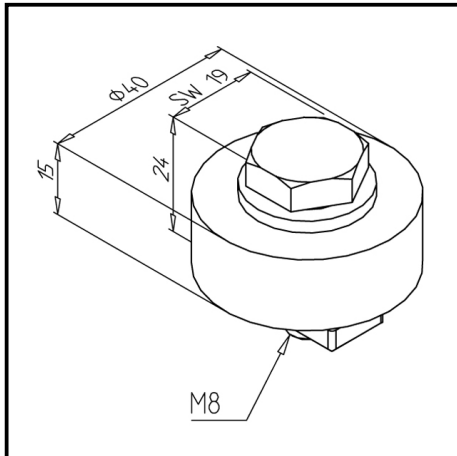


STOPPER 40

Article Nr. 21.2301/0

[See the product on the website](#) →

[Download CAD Files](#) →



TECHN. DATA / ITEMS SUPPLIED

- NBR, black
- Fixation screw steel, burnished
- Nut and washer steel, galvanised
- With sliding nut M8
- Weight = 0.055 kg/piece

APPLICATIONS

- Stop for heavy doors, long guides

ASSEMBLY

- Fix with square nut M6 in profile groove