

## Base strip - PC 6-16/ 2-G-10,16 - 1913646

Please be informed that the data shown in this PDF Document is generated from our Online Catalog. Please find the complete data in the user's documentation. Our General Terms of Use for Downloads are valid (<http://phoenixcontact.com/download>)



Header, Nominal current: 41 A, Rated voltage (III/2): 1000 V, Number of positions: 2, Pitch: 10.16 mm, Color: green, Contact surface: Silver, Mounting: Soldering, The nominal current of 76 A applies in connection with connectors from the PC 16 family. 41 A are reached in connection with PC 6 connectors (50 A in accordance with UL).

The illustration shows an 8-position version



### Key commercial data

Packing unit	50 pc
Minimum order quantity	50 pc
GTIN	 4 017918 179120
Weight per Piece (excluding packing)	7.83 g
Custom tariff number	85366990
Country of origin	Poland

### Technical data

#### Dimensions

Length	32 mm
Height	13.7 mm
Pitch	10.16 mm
Dimension a	10.16 mm
Hole diameter	1.7 mm

#### General

Range of articles	PC 6-16/..-G
Insulating material group	I
Rated surge voltage (III/3)	6 kV
Rated surge voltage (III/2)	8 kV
Rated surge voltage (II/2)	8 kV
Rated voltage (III/2)	1000 V
Rated voltage (II/2)	1000 V
Connection in acc. with standard	EN-VDE

# Base strip - PC 6-16/ 2-G-10,16 - 1913646

## Technical data

### General

Nominal current I <sub>N</sub>	41 A
Maximum load current	76 A
Insulating material	PA
Color	green
Number of positions	2

## Classifications

### eCl@ss

eCl@ss 4.0	272607xx
eCl@ss 4.1	27260701
eCl@ss 5.0	27260701
eCl@ss 5.1	27260701
eCl@ss 6.0	27260704
eCl@ss 7.0	27440402
eCl@ss 8.0	27440402

### ETIM

ETIM 3.0	EC001121
ETIM 4.0	EC002637
ETIM 5.0	EC002637

### UNSPSC

UNSPSC 6.01	30211810
UNSPSC 7.0901	39121409
UNSPSC 11	39121409
UNSPSC 12.01	39121409
UNSPSC 13.2	39121409

## Approvals

### Approvals

---

#### Approvals

UL Recognized / SEV / cUL Recognized / CCA / EAC / IECEE CB Scheme / cULus Recognized

---

#### Ex Approvals

---

#### Approvals submitted

# Base strip - PC 6-16/ 2-G-10,16 - 1913646

## Approvals

### Approval details

UL Recognized			
	B	C	D
Nominal current IN	66 A	66 A	5 A
Nominal voltage UN	300 V	300 V	600 V

SEV	
Nominal current IN	76 A
Nominal voltage UN	1000 V

cUL Recognized			
	B	C	D
Nominal current IN	66 A	66 A	5 A
Nominal voltage UN	300 V	300 V	600 V

CCA	
Nominal current IN	76 A
Nominal voltage UN	1000 V

EAC
-----

IECEE CB Scheme	
Nominal current IN	76 A
Nominal voltage UN	1000 V

cULus Recognized	
------------------	--

## Accessories

### Accessories

## Base strip - PC 6-16/ 2-G-10,16 - 1913646

### Accessories

#### Coding element

Coding profile - CP-HCC 4 - 1600027



Coding profile, Number of positions: 1, Color: red

---

### Additional products

Printed-circuit board connector - PC 6/ 2-ST-10,16 - 1913507



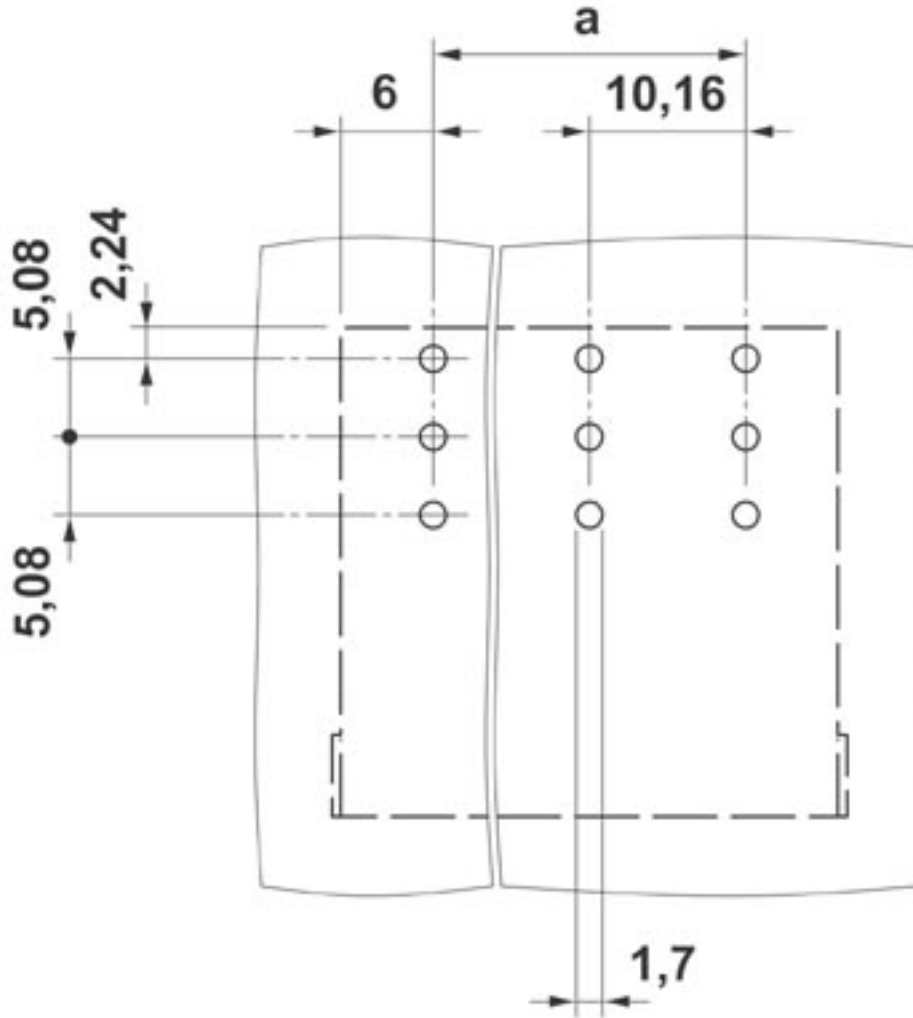
Plug component, Nominal current: 41 A, Rated voltage (III/2): 1000 V, Number of positions: 2, Pitch: 10.16 mm, Connection method: Screw connection, Color: green, Contact surface: Silver

---

### Drawings

# Base strip - PC 6-16/ 2-G-10,16 - 1913646

Drilling diagram



## Base strip - PC 6-16/ 2-G-10,16 - 1913646

Dimensioned drawing

