



Terminals & Splices > Quick Disconnects



Quick Disconnect Terminal Type: **Receptacle**

Wire Size: .51 – 1.31 mm²

Mating Tab Width: 4.75 mm [.187 in]

Mating Tab Thickness: .51 mm [.02 in]

Features

Product Type Features

Insertion Force	Normal
-----------------	--------

Configuration Features

Compatible With Wire & Cable Type	Discrete Wire
Connection Capacity	Single

Contact Features

Quick Disconnect Terminal Type	Receptacle
Mating Tab Width	4.75 mm [.187 in]
Mating Tab Thickness	.51 mm [.02 in]
Terminal Orientation	Straight
Contact Base Material	Brass
Terminal Plating Material	Tin
Crimp Type	F-Crimp
Barrel Type	Open

Termination Features

--	--



Product Terminates To	Wire & Cable
-----------------------	--------------

Mechanical Attachment

Wire Insulation Support	With
Mating Retention Type	Dimple

Dimensions

Product Length	16.41 mm[.646 in]
Compatible Insulation Diameter Range	2.3 – 3.3 mm[.09 – .13 in]
Terminal Material Thickness	.3 mm[.012 in]
Wire Size	.51 – 1.31 mm ²

Usage Conditions

Insulation Option	Uninsulated
Operating Temperature Range	-40 – 110 °C[-40 – 230 °F]

Industry Standards

Compatible With Agency/Standards Products	CSA, UL
---	---------

Packaging Features

Packaging Quantity	1000
Packaging Method	Loose Piece/Carton

Product Compliance

[For compliance documentation, visit the product page on TE.com>](#)

EU RoHS Directive 2011/65/EU	Compliant
EU ELV Directive 2000/53/EC	Compliant
China RoHS 2 Directive MIIT Order No 32, 2016	有害物质含量符合标准要求 No Restricted Substance(s) Above Threshold
EU REACH Regulation (EC) No. 1907/2006	Current ECHA Candidate List: JUNE 2025 (250) Candidate List Declared Against: JUNE 2025 (250) Does not contain REACH SVHC
Halogen Content	Low Halogen - Br, Cl, F < 900 ppm per homogenous material. Also BFR/CFR/PVC Free
Solder Process Capability	Not applicable for solder process capability

Product Compliance Disclaimer

This information is provided based on reasonable inquiry of our suppliers and represents our current actual knowledge based on the information they provided. This information is subject to change. The part numbers that TE has identified as EU RoHS compliant have a maximum concentration of 0.1% by weight in homogenous materials for lead, hexavalent chromium, mercury, PBB, PBDE, DBP, BBP, DEHP, DIBP, and 0.01% for cadmium, or qualify for an exemption to these limits as defined in the Annexes of Directive 2011/65/EU (RoHS2). Finished electrical and electronic equipment products will be CE marked as required by Directive 2011/65/EU. Components may not be CE marked. Additionally, the part numbers that TE has identified as EU ELV compliant have a maximum concentration of 0.1% by weight in homogenous materials for lead, hexavalent chromium, and mercury, and 0.01% for cadmium, or qualify for an exemption to these limits as defined in the Annexes of Directive 2000/53/EC (ELV). Regarding the REACH Regulation, the information TE provides on SVHC in articles for this part number is based on the latest European Chemicals Agency (ECHA) 'Guidance on requirements for substances in articles' posted at this URL: <https://echa.europa.eu/guidance-documents/guidance-on-reach>

Compatible Parts



TE Part # 174200-1
250 FASTON HSG., REC., 3 POS,
NATRUAL

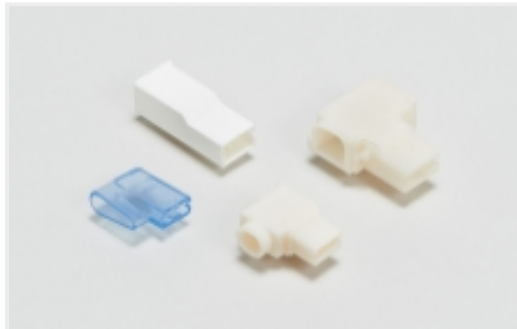


TE Part # 174195-1
250 FASTON HSG., REC., 1 POS,
NATRUAL



TE Part # 755336-1
DAHT FASTON 22-14 ASSY

Also in the Series | FASTON 187



Crimp Terminal Housings(40)



Insertion & Extraction Tools(1)



Insulation Boots & Sleeves(1)



PCB Terminals(42)



Quick Disconnects(203)

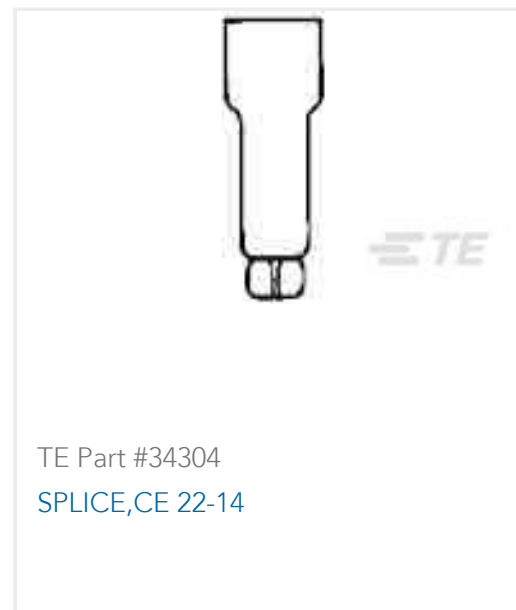
Customers Also Bought



TE Part #812342-SF
FN9280B-4-06



TE Part #NB19792001
RNF-100-3/32-WH-STK



TE Part #34304
SPLICE,CE 22-14



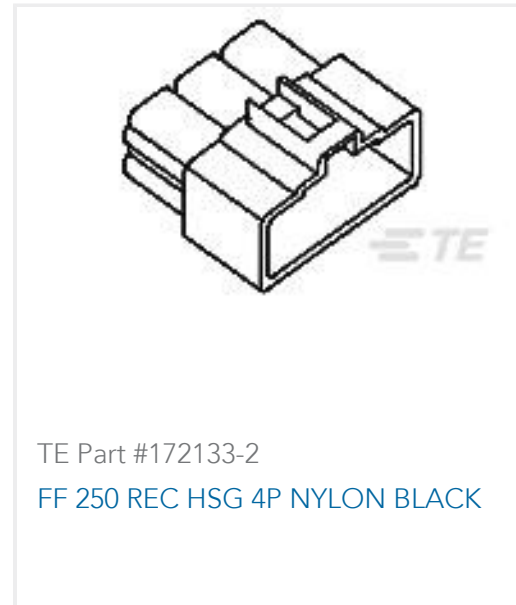
TE Part #170020-2
SHUR PLUG 20-14 MM2 TPBR



TE Part #170048-2
110 FASTON,REC.,24-20 AWG,TPBR



TE Part #170349-2
FF 250 TAB 22-20AWG TPBR
WITHOUT LATCH



TE Part #172133-2
FF 250 REC HSG 4P NYLON BLACK



TE Part #1318112-1
DYNAMIC D-2 TAB CONT S L/P



TE Part #3-1418888-2
6P,TAB0.63X0.63,HDR,90DEG,SLDR,
COD C



TE Part #4-1971784-2
PTL TAB CONTACT LP, 16-19 AWG,
2X22

Documents

Product Drawings

[187 FASTON,REC.,20-16 AWG,TPBR](#)

English

CAD Files

[3D PDF](#)

3D

Customer View Model

[ENG_CVM_CVM_170038-2_E_c-170038-2-e.2d_dxf.zip](#)

English

Customer View Model

[ENG_CVM_CVM_170038-2_E_c-170038-2-e.3d_igs.zip](#)

English

Customer View Model

[ENG_CVM_CVM_170038-2_E_c-170038-2-e.3d_stp.zip](#)

English

By downloading the CAD file I accept and agree to the [Terms and Conditions](#) of use.

Product Specifications



Application Specification

English

Instruction Sheets

Instruction Sheet (non U.S.)

Japanese

Agency Approvals

UL Report

English