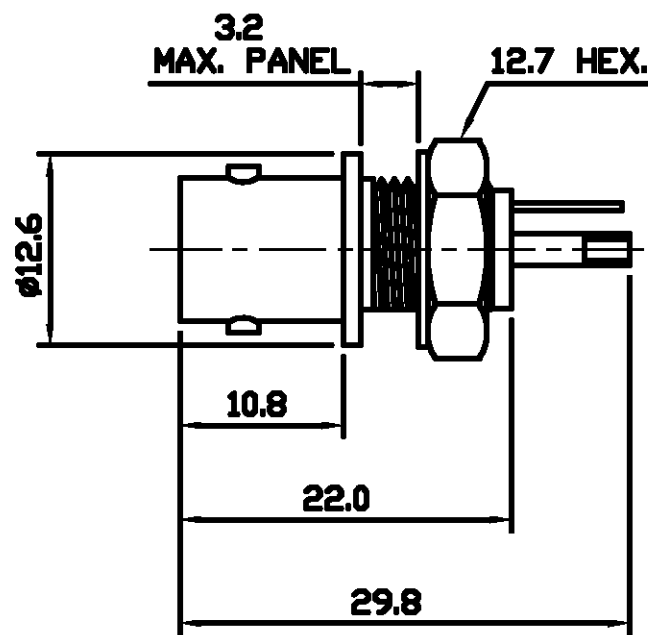


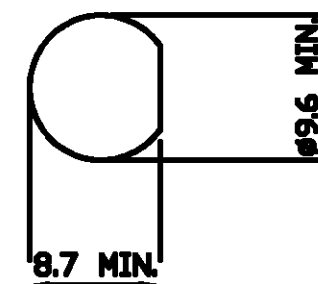
THIS DRAWING IS UNPUBLISHED. RELEASED FOR PUBLICATION 6-9-01, 6-9-01

© COPYRIGHT 2001 BY TYCO ELECTRONICS CORPORATION. ALL RIGHTS RESERVED.

LOC	DIST	REVISIONS					
		P	LTR	DESCRIPTION	DATE	DWN	APVD
E	B	A		RELEASE FOR PRODUCTION	6-9-01	RG	FWK



△ SUPPLIED SEMI-ASSEMBLED (PACK CONTAINS LOOSE PIECES)
VIEW SHOWS ASSEMBLED CONNECTOR.



MOUNTING HOLE

DIE SET PART NUMBER	N/A
HANDTOOL PART NUMBER	N/A
FOR USE ON CABLES	N/A
CONNECTOR PLATING DETAIL	NICKEL
CONTACT PLATING DETAIL	SILVER
DIELECTRIC MATERIAL	ABS
GASKET MATERIAL	N/A

BAG	SINGLE ITEM	1-1478201-0
PACK TYPE	DESCRIPTION	PART NUMBER

THIS DRAWING IS A CONTROLLED DOCUMENT.		DWN R GOODALL 6-9-01	Tyco Electronics Corporation Stanmore, Middlesex, HA7 4RS	
DIMENSIONS: MM		CHK F W-KING 6-9-01	NAME BNC INSULATED B/HEAD SOCKET 75 OHM	
TOLERANCES UNLESS OTHERWISE SPECIFIED:		APVD F W-KING 6-9-01	PRODUCT SPEC 108-3435	
0 PLC ± -		APPLICATION SPEC		
1 PLC ± -		SIZE A3		
2 PLC ± -		CAGE CODE 00779		
3 PLC ± -		DRAWING NO C-1478201		
4 PLC ± -		RESTRICTED TO		
ANGLES ± -		SCALE NTS		
MATERIAL	FINISH	WEIGHT		SHEET 1 OF 1
-	-	CUSTOMER DRAWING		REV A