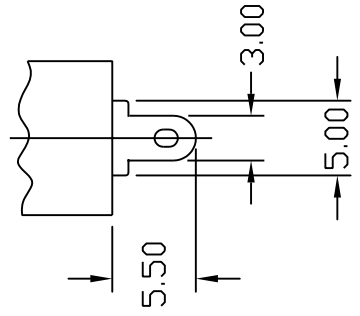
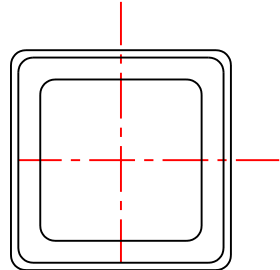
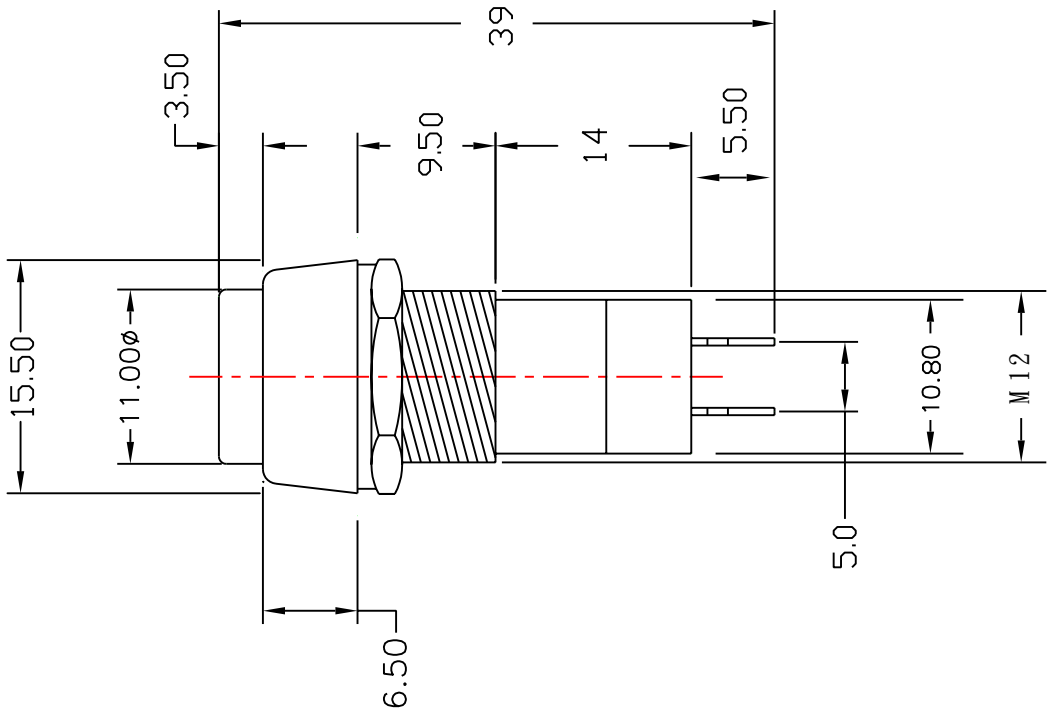


REV.	DESCRIPTION	APPROVED BY	DATE	ECN NO.
A	RELEASE	KUNG	16/03/09*	
B				
C				



RATING : 3A , 125/250 VAC
DIELECTRIC STRENGTH : 1000 VAC 1 minute
CONTACT RESISTANCE : 20mΩ (max)
INSULATION RESISTANCE :
100 MΩ min (at 500 VDC)
MECHANICAL LIFE : 10,000 (min)
PUSH FORCE : >0.3kg

MATERIAL :
BUTTON : NYLON
BODY : ABS
TERMINAL : COPPER, ALLOY SILVER PLATED
CONTACT : SILVER PLATED
WASHER NUT : COPPER, NICKEL PLATED
SPRING : STAINLESS STEEL

REMARKS : PBS-001B-□
1 : CREAM
2 : BLACK
3 : RED



DRAWN	APP'D	TOLERANCE	UNIT	SCALE	TITLE	PUSH BUTTON SWITCH , OFF-(ON) TYPE, RED/BLACK/CREAM	SHEET
CHK'D		x ±0.20 xx ±0.10 xxx ±0.05 xxxx ±0.03 ANGULA ±1°	mm	1:1	PART NO.	PBS-001B-□	1
					DWG.		VERSION
							A

Lum UK

