



CGS | CGS SQ

TE Internal #: 2-1879068-5

150 ohm, Through-Hole Power Resistor, Wire Wound, 40 W, 5 %, ±300 ppm/°C, Radial-Leaded FASTON, 10.5 x 8 x 18 mm, Loose Piece - Box, CGS SQ

[View on TE.com >](#)

Passive Components > Resistors > Through-Hole Resistors > Wirewound Resistor: Horizontal Mount



Resistance Value: 150 Ω

Resistor Type: Power Resistor

Element Type: Wire Wound

Power Rating: 40 W

Resistance Class: Up to 1kΩ

[All Wirewound Resistor: Horizontal Mount \(156\)](#)

Features

Product Type Features

Resistor Type	Power Resistor
Element Type	Wire Wound

Configuration Features

Number of Resistors	1
---------------------	---

Electrical Characteristics

Resistance Value	150 Ω
Power Rating	40 W
Resistance Class	Up to 1kΩ
Passive Component Tolerance	5 %

Body Features

Lead Type	Radial-Leaded FASTON
-----------	----------------------

Termination Features

Number of Terminations	2
------------------------	---

Dimensions

Passive Component Dimensions	10.5 x 8 x 18 mm
------------------------------	------------------

Usage Conditions



Temperature Coefficient	±300 ppm/°C
-------------------------	-------------

Packaging Features

Packaging Method	Loose Piece - Box
------------------	-------------------

Product Compliance

[For compliance documentation, visit the product page on TE.com>](#)

EU RoHS Directive 2011/65/EU	Compliant
EU ELV Directive 2000/53/EC	Compliant
China RoHS 2 Directive MIIT Order No 32, 2016	No Restricted Materials Above Threshold
EU REACH Regulation (EC) No. 1907/2006	Current ECHA Candidate List: JAN 2025 (247) Candidate List Declared Against: JAN 2025 (247) Does not contain REACH SVHC
Halogen Content	Low Halogen - Br, Cl, F, I < 900 ppm per homogenous material. Also BFR/CFR/PVC Free
Solder Process Capability	Wave solder capable to 265°C

Product Compliance Disclaimer

This information is provided based on reasonable inquiry of our suppliers and represents our current actual knowledge based on the information they provided. This information is subject to change. The part numbers that TE has identified as EU RoHS compliant have a maximum concentration of 0.1% by weight in homogenous materials for lead, hexavalent chromium, mercury, PBB, PBDE, DBP, BBP, DEHP, DIBP, and 0.01% for cadmium, or qualify for an exemption to these limits as defined in the Annexes of Directive 2011/65/EU (RoHS2). Finished electrical and electronic equipment products will be CE marked as required by Directive 2011/65/EU. Components may not be CE marked. Additionally, the part numbers that TE has identified as EU ELV compliant have a maximum concentration of 0.1% by weight in homogenous materials for lead, hexavalent chromium, and mercury, and 0.01% for cadmium, or qualify for an exemption to these limits as defined in the Annexes of Directive 2000/53/EC (ELV). Regarding the REACH Regulation, the information TE provides on SVHC in articles for this part number is based on the latest European Chemicals Agency (ECHA) 'Guidance on requirements for substances in articles' posted at this URL: <https://echa.europa.eu/guidance-documents/guidance-on-reach>

Compatible Parts

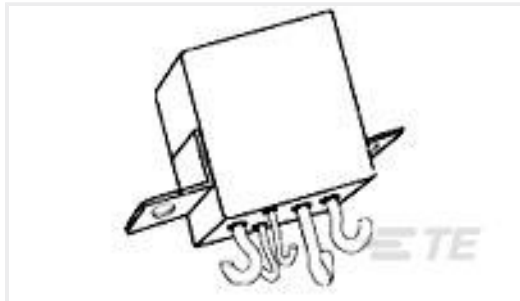


Also in the Series | **CGS SQ**

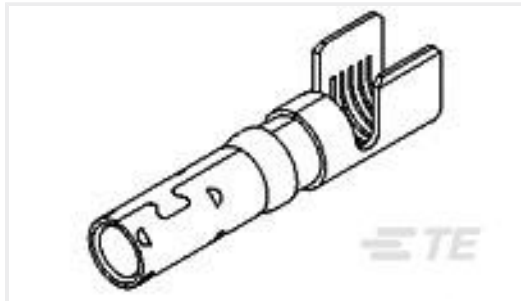


Through-Hole Resistors(659)

Customers Also Bought



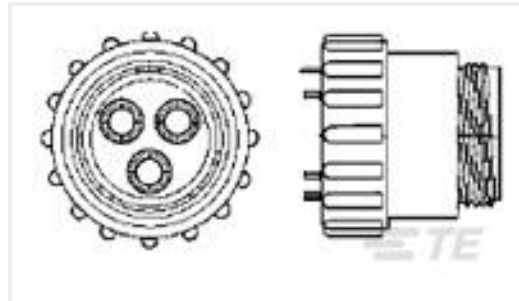
TE Part #1-1617748-7
FCA-125-11=M6106/19-011



TE Part #213847-3
POWERBAND CONT ASSY,SILVER PLT



TE Part #1-1419108-9
RT444012F



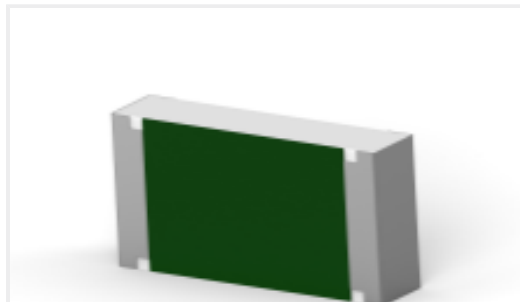
TE Part #213905-1
CPC PLUG ASSY,SERIES 5,SZ 17-3



TE Part #130522
PIDG SPADE



TE Part #150072-1
22-16 PIDG R/T 7/16" STUD EXP



TE Part #2-2176399-6
3502 33K 5%



TE Part #213890-2
CPC RECPT SEALED SIZE 17-3



TE Part #776487-4
AS16,PLUG ASSY,ST,04P,N SEAL,
CODE D



TE Part #3-1617004-3
B07D912BC1-0359 = RELAY.

Documents

Product Drawings

[SQB40 150R 5% \(WIRE\) 6.35MM FASTON](#)

English

Datasheets & Catalog Pages

[4-1773460-6_RESISTIVE_SOLUTIONS_RAIL](#)

English

[1309350_PASSIVE_COMPONENT](#)

SQBW40150RJFASTON

150 ohm, Through-Hole Power Resistor, Wire Wound, 40 W, 5 %, ± 300 ppm/ $^{\circ}$ C,
Radial-Leaded FASTON, 10.5 x 8 x 18 mm, Loose Piece - Box, CGS SQ



English

[8-1773459-4_POWER_FILTERING_AND_RESISTIVE_SOLUTIONS_FOR_ELEVATORS_AND_ESCALATORS](#)

English