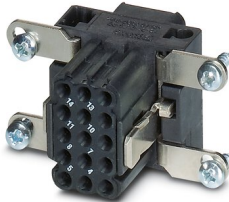


Contact insert - VC-D1-BU15-PE-R

1884801

<https://www.phoenixcontact.com/gb/products/1884801>

Please be informed that the data shown in this PDF document is generated from our Online Catalog. Please find the complete data in the user documentation. Our General Terms of Use for Downloads are valid.



Contact insert, Range of articles: VARIOCON, Contact insert, type: VC1, housing material: PA, number of positions: 15, min. conductor cross section: 0.14 mm², max. conductor cross section: 1.5 mm², rated voltage: 250, rated current: 10 A, Connection method: Crimp connection, Type of contact: Socket. Connectors may only be connected/disconnected when under no load.

Your advantages

- Positions 15, 30, 50, and 65 are available, in accordance with housing sizes VC 1 - VC 4.
- Contact types meet the requirements of IEC 60352/DIN EN 60352
- Contact carriers have two further capacitive PE contacts
- Pin and socket contacts can be used on both the plug and device sides
- The connection data of 250 V/10 A corresponds to that of the HEAVYCON DD series

Contact insert - VC-D1-BU15-PE-R



1884801

<https://www.phoenixcontact.com/gb/products/1884801>

Commercial Data

Item number	1884801
Packing unit	10 pc
Minimum order quantity	10 pc
Note	Made to Order (non-returnable)
Sales Key	ABLACB
Product Key	ABLACB
Catalog Page	Page 39 (C-2-2013)
GTIN	4017918164874
Weight per Piece (including packing)	29.76 g
Weight per Piece (excluding packing)	29.76 g
Customs tariff number	85369010
Country of origin	PL

Technical Data

Notes

General	Connectors may only be connected/disconnected when under no load.
General	Please note that full assembly with the maximum conductor cross-section can cause the sheathed cable to have an impermissibly large external diameter. Dimension the conductor cross-section depending on the number of positions.
General	The contact carriers are not suitable for installation in VC-MP-K... coupling housings

Safety note

Safety note	WARNING: The connectors may not be plugged in or disconnected under load. Ignoring the warning or improper use may damage persons and/or property.
	<ul style="list-style-type: none"> • WARNING: Commission properly functioning products only. The products must be regularly inspected for damage. Decommission defective products immediately. Replace damaged products. Repairs are not possible.
	<ul style="list-style-type: none"> • WARNING: Only electrically qualified personnel may install and operate the product. They must observe the following safety notes. The qualified personnel must be familiar with the basics of electrical engineering. They must be able to recognize and prevent danger. The relevant symbol on the packaging indicates that only personnel familiar with electrical engineering are allowed to install and operate the product.
	<ul style="list-style-type: none"> • The products are suitable for applications in plant, controller, and electrical device engineering.
	<ul style="list-style-type: none"> • When operating the connectors in outdoor applications, they must be separately protected against environmental influences.
	<ul style="list-style-type: none"> • Assembled products may not be manipulated or improperly opened.
	<ul style="list-style-type: none"> • Only use mating connectors that are specified in the technical data of the standards listed (e.g. the ones listed in the product accessories online at phoenixcontact.com/products).
	<ul style="list-style-type: none"> • When using the product in direct connection with third-party manufacturers, the user is responsible.
	<ul style="list-style-type: none"> • For operating voltages > 50 V AC, conductive connector housings must be grounded
	<ul style="list-style-type: none"> • Ensure that the protective or functional ground has been properly connected.
	<ul style="list-style-type: none"> • VDE 0100/1.97 § 411.1.3.2 and DIN EN 60 204/11.98 § 14.1.3 are applicable when combining several circuits in a cable and/or connector
	<ul style="list-style-type: none"> • Observe the corresponding technical data. You will find information: <ul style="list-style-type: none"> o On the product o On the packing label o In the supplied documentation o Online at phoenixcontact.com/products under the product
	<ul style="list-style-type: none"> • Only use tools recommended by Phoenix Contact
<ul style="list-style-type: none"> • The installation notes/Design In documents online on the 	

Contact insert - VC-D1-BU15-PE-R



1884801

<https://www.phoenixcontact.com/gb/products/1884801>

	download page at phoenixcontact.com/products must be observed for this product.
	<ul style="list-style-type: none">• Use a protective cap to protect connectors that are not in use. The suitable accessories are available online in the accessory section of the product at phoenixcontact.com/products• Operate the connector only when it is fully plugged in.• Ensure that when laying the cable, the tensile load on the connectors does not exceed the upper limit specified in the standards.• Observe the minimum bending radius of the cable. Lay the cable without twisting it.• The connector warms up in normal operation. Depending on the ambient conditions, the surface of the connector can continue to warm up. In this case, the user is responsible for posting warnings (e.g. DIN EN ISO 13732-1:2008-12).

Product properties

Type	VC1
Product type	Contact insert
Number of positions	15
Connection profile	15+PE
Contact type	rolled
Series	VC-D

Insulation characteristics

Degree of pollution	2
---------------------	---

Electrical properties

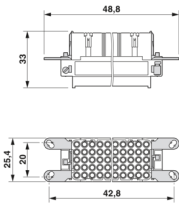
Rated voltage (II/2)	250 V
Rated voltage (III/3)	250 V
Rated voltage (III/3)	250 V
Nominal voltage ATD	250 (III/2)
Rated surge voltage	4 kV
Rated surge voltage (II/2)	2.5 kV
Rated surge voltage (III/2)	4 kV
Rated surge voltage	4 kV
Rated current	10 A
Rated current	10 A
Rated current	max. 10 A
Nominal voltage U_N	250 V

Dimensions

Contact insert - VC-D1-BU15-PE-R

1884801

<https://www.phoenixcontact.com/gb/products/1884801>

Dimensional drawing	
Width	25.4 mm
Height	33 mm
Length	48.6 mm

Mechanical characteristics

Contact diameter	1.6 mm
------------------	--------

Material specifications

Color of the housing part	black
Material	Polyamide
Flammability rating according to UL 94	V0
Insulating material group	IIIa
Contact material	CuZn
Contact surface material	Ni
Contact carrier material	PA-GF
Housing material	PA

Connector

Insertion/withdrawal cycles	≥ 500
-----------------------------	------------

Cable / line

Cable structure

Single wire, cross section	0.14 mm ² 1.5 mm ²
Stripping length of the individual wire	8 mm

Environmental and real-life conditions

Ambient conditions

Ambient temperature (operation)	-40 °C ... 125 °C
---------------------------------	-------------------

Contact insert - VC-D1-BU15-PE-R

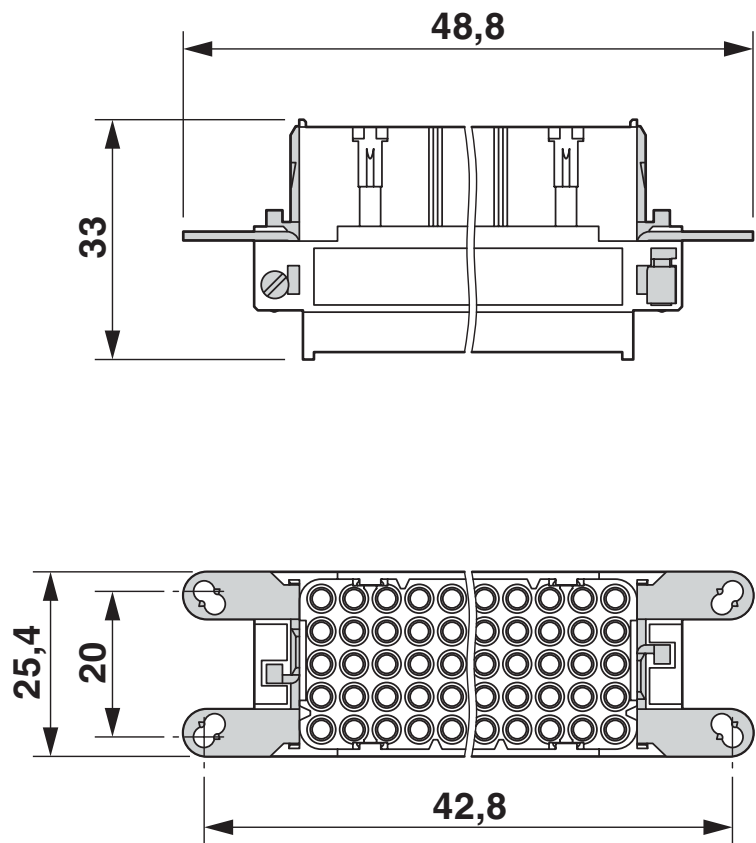
1884801

<https://www.phoenixcontact.com/gb/products/1884801>



Drawings

Dimensional drawing



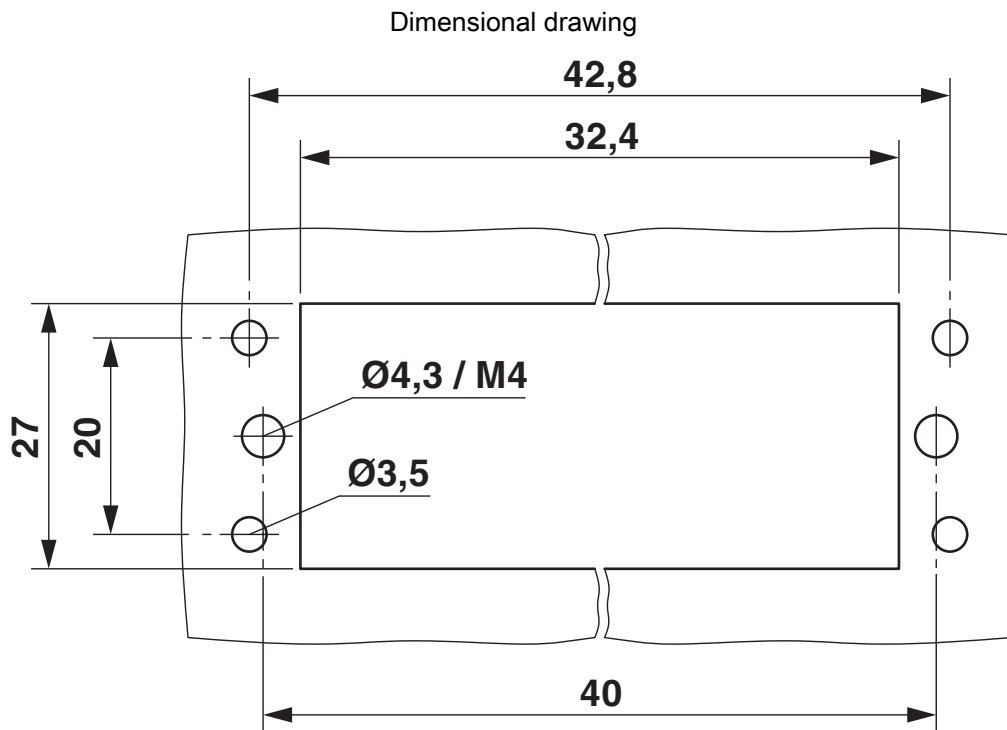
Contact insert

Contact insert - VC-D1-BU15-PE-R



1884801

<https://www.phoenixcontact.com/gb/products/1884801>



Mounting cutout

Contact insert - VC-D1-BU15-PE-R





1884801

<https://www.phoenixcontact.com/gb/products/1884801>

Approvals

 cUL Recognized Approval ID: FILE E 118976				
	Nominal Voltage U_N	Nominal Current I_N	Cross Section AWG	Cross Section mm^2
	250 V	4 A	-	-

 UL Recognized Approval ID: FILE E 118976				
	Nominal Voltage U_N	Nominal Current I_N	Cross Section AWG	Cross Section mm^2
	250 V	4 A	-	-

 EAC Approval ID: B.01687				
--	--	--	--	--

cULus Recognized				
-------------------------	--	--	--	--

Contact insert - VC-D1-BU15-PE-R



1884801

<https://www.phoenixcontact.com/gb/products/1884801>

Classifications

ECLASS

ECLASS-9.0	27440205
ECLASS-10.0.1	27440205
ECLASS-11.0	27440223

ETIM

ETIM 8.0	EC003557
----------	----------

UNSPSC

UNSPSC 21.0	39121400
-------------	----------

Contact insert - VC-D1-BU15-PE-R



1884801

<https://www.phoenixcontact.com/gb/products/1884801>

Environmental Product Compliance

China RoHS	Environmentally friendly use period: unlimited = EFUP-e
	No hazardous substances above threshold values

Contact insert - VC-D1-BU15-PE-R



1884801

<https://www.phoenixcontact.com/gb/products/1884801>

Accessories

Mounting flange

Mounting flange - VC-D-AF - 1855319

<https://www.phoenixcontact.com/gb/products/1855319>



Panel mounting flange for screw locking, for fixing the crimp contact insert to the housing panel, with two M3 threaded holes and one M4 threaded hole

Crimp contact

Crimp contact - CK1,6-BR-1,00BU OIC AG - 1004381

<https://www.phoenixcontact.com/gb/products/1004381>



Crimp contact, contact diameter: 1.6 mm, rolled, Socket, contact material: Cu alloy, nickel-plated, contact surface: silver-plated, connection cross section: 0.34 mm² ... 1 mm², AWG 22 ... 17, Taped products

Contact insert - VC-D1-BU15-PE-R

1884801

<https://www.phoenixcontact.com/gb/products/1884801>

Crimp contact

Crimp contact - CK1,6-BR-2,50BU OIC AG - 1004383

<https://www.phoenixcontact.com/gb/products/1004383>



Crimp contact, contact diameter: 1.6 mm, rolled, Socket, contact material: Cu alloy, nickel-plated, contact surface: silver-plated, connection cross section: 1.5 mm² ... 2.5 mm², AWG 16 ... 14, Taped products

Crimp contact

Crimp contact - CK1,6-ER-1,00BU OIC AG - 1004362

<https://www.phoenixcontact.com/gb/products/1004362>



Crimp contact, contact diameter: 1.6 mm, rolled, Socket, contact material: Cu alloy, nickel-plated, contact surface: silver-plated, connection cross section: 0.34 mm² ... 1 mm², AWG 22 ... 17

Contact insert - VC-D1-BU15-PE-R

1884801

<https://www.phoenixcontact.com/gb/products/1884801>

Crimp contact

Crimp contact - CK1,6-ER-2,50BU OIC AG - 1004366

<https://www.phoenixcontact.com/gb/products/1004366>



Crimp contact, contact diameter: 1.6 mm, rolled, Socket, contact material: Cu alloy, nickel-plated, contact surface: silver-plated, connection cross section: 1.5 mm² ... 2.5 mm², AWG 16 ... 14

Contact insertion and removal tool

Contact insertion and removal tool - EWR - 1665075

<https://www.phoenixcontact.com/gb/products/1665075>



Universal tool, Range of articles: VARIOCON, Contact insertion and removal tool, min. conductor cross section: 0.14 mm², max. conductor cross section: 0.56 mm², Type of contact: Socket + pin

Contact insert - VC-D1-BU15-PE-R

1884801

<https://www.phoenixcontact.com/gb/products/1884801>



Crimping pliers

Crimping pliers - CRIMPFOX-P CK 1.6 ER 2.5 OIC-L - 1069228

<https://www.phoenixcontact.com/gb/products/1069228>



Crimping pliers, for rolled contacts CK 1,6-ER... OIC, cross section: 0.14 ... 2.5 mm². Unlockable pressure lock, precise parallel crimping, front entry, B crimp, incl. positioning tool

Contact removal tool

Contact removal tool - VC-EW 1,6 - 1884869

<https://www.phoenixcontact.com/gb/products/1884869>



Contact removal tool, for turned and rolled CK- 1.6-... contacts

Contact insert - VC-D1-BU15-PE-R

1884801

<https://www.phoenixcontact.com/gb/products/1884801>



Assembly tool

Assembly tool - UNIFOX MT-CK 1.6/2.5 - 1089092

<https://www.phoenixcontact.com/gb/products/1089092>

Assembly tool, for CK 1.6... crimp contacts for small conductor cross sections



Phoenix Contact 2022 © - all rights reserved

<https://www.phoenixcontact.com>

PHOENIX CONTACT Ltd

Halesfield 13, Telford

Shropshire, TF7 4PG

01952 681700

info@phoenixcontact.co.uk