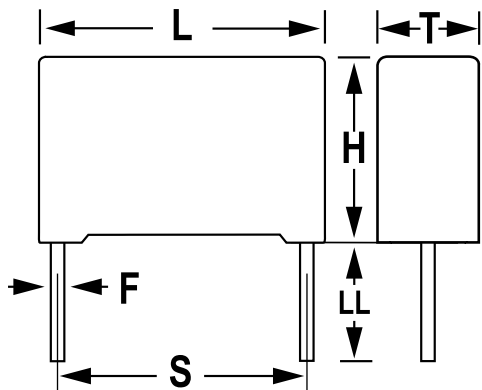


KEMET Part Number: MMK10105J63A02L4BULK
(F601AH105J063C)

MMK/F601, Film, Metallized Polyester, General Purpose, 1 uF, 5%, 63 VDC, 85°C, Lead Spacing = 10mm



General Information	
Supplier:	KEMET
Series:	MMK/F601
Dielectric:	Metallized Polyester
Style:	Radial
Features:	DC Multipurpose Applications
RoHS:	Yes
Lead:	Wire Leads
Notes:	Not For New Design, Please Check Possible Alternative Parts (AltPart)

Dimensions	
L	13mm MAX
H	10.5mm MAX
T	4.5mm MAX
S	10mm +/-0.4mm
LL	5mm NOM
F	0.6mm NOM

Specifications	
Capacitance:	1 uF
Capacitance Tolerance:	5%
Voltage AC:	40 VAC
Voltage DC:	63 VDC, 48.8 VDC (100C)
Temperature Range:	-55/+100C
Rated Temperature:	85°C
Dissipation Factor:	0.80% 1kHz, 1.50% 10kHz
Insulation Resistance:	5 GOhms
Max dV/dt:	8 V/us
Inductance:	6 nH

Packaging Specifications	
Packaging:	Bulk, Bag
Packaging Quantity:	1000