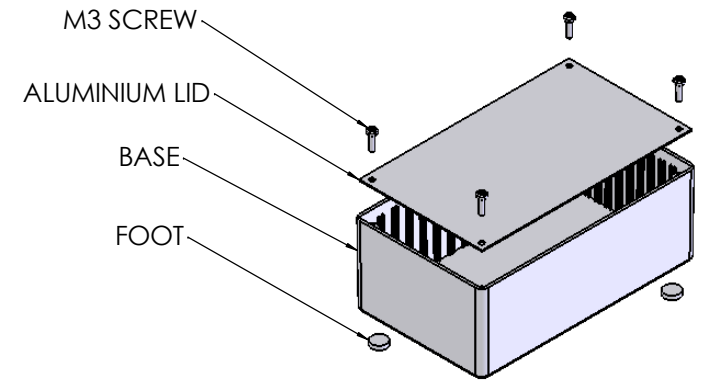


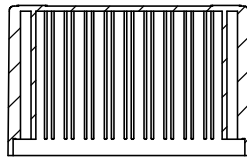
OVERALL ASSEMBLY DIMENSIONS:

EXTERNAL - 161.5 x 96 x 59.25

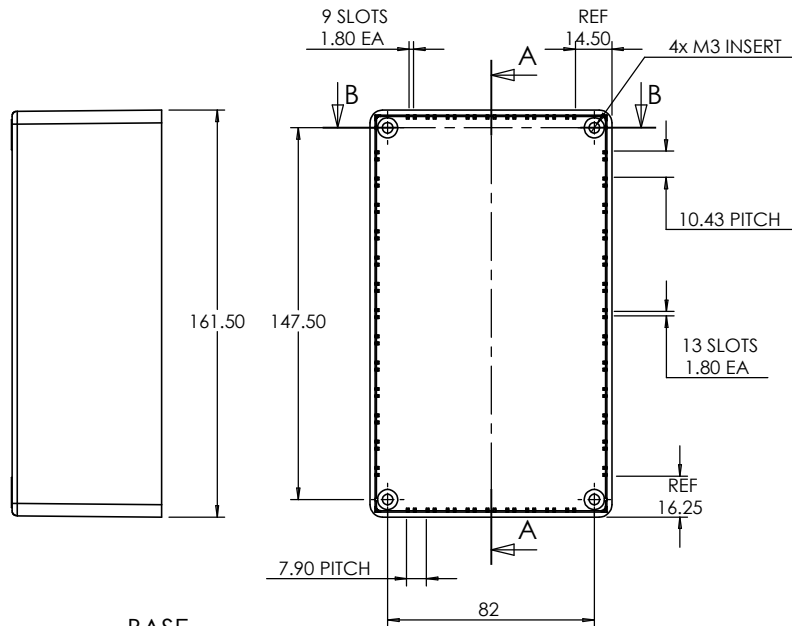
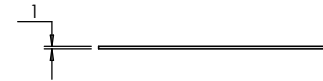
INTERNAL - 157.5 x 92 x 50.75



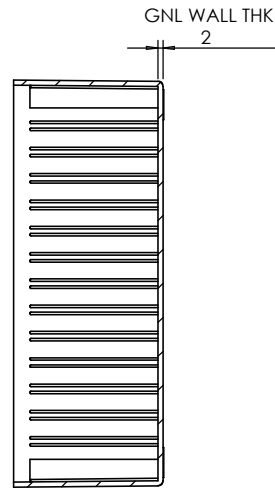
ISO VIEW  
1:4



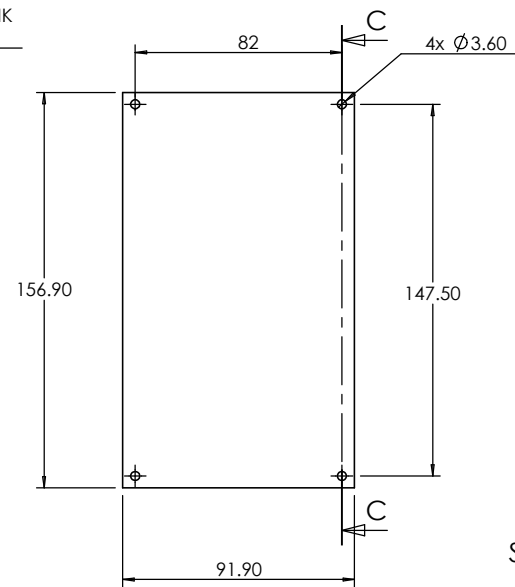
SECTION B-B



BASE

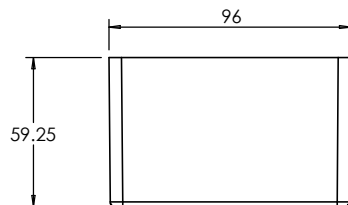


SECTION A-A



SECTION C-C

LID



<p>JAMES CARTER RD, MILDENHALL, SUFFOLK. IP28 7DE TEL: 01638 716101 FAX: 01638 716554 EMAIL: Sales@CamdenBoss.com WEB: www.CamdenBoss.com</p>				UNLESS OTHERWISE SPECIFIED: DIMENSIONS ARE IN MILLIMETERS		DO NOT SCALE DRAWING		REVISION. 0		
				FINISH. SMOOTH		TITLE: ASSEMBLY DRG FOR 4005				
DRAWN S.HARDINGE		SIGNED SJH		DATE 01/12/05		MATERIAL. ABS & ALUMINIUM		DWG NO. 4005		A4
CHK'D -		-		-		PROJECTION. 		SCALE. 1:3		SHEET 1 OF 1