

TIGRIP®

Permanent Load Lifting Magnets Series TPM

new!

TPM load lifting magnets are ideal tools for easy, quick and thus economical transport of heavy objects made from ferro-magnetic material. Typical operating areas are workshops and warehouses, loading and unloading of machines as well as construction of jigs and fixtures.

Small dimensions of the units provide a wide number of additional applications.

The load is not affected mechanically which allows lifting of flat as well as round material. The efficient magnet body provides strong lifting capacity at low dead weight. The permanent magnets do not require electric energy and will present only minor residual magnetism after switching off.

Switching ON and OFF operations are easily accomplished by turning a locking lever. In activated condition the hand lever will be safely locked and thus prevent unintended demagnetising.

The selection of the appropriate magnet model should be made under consideration of the varying conditions of the contact surface, kind of material alloy and plate thickness (see table).

The new Permanent Load Lifting Magnets: - for attractive lifting jobs



In order to achieve a maximum capacity, the contact surface should be bright and free from dirt, oil, grease, scale, corrosion, paint etc.

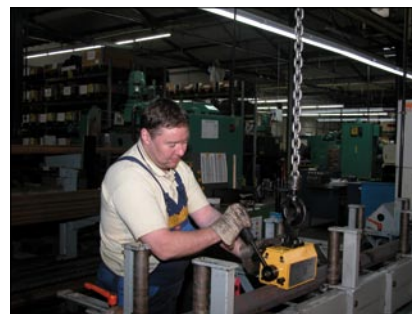
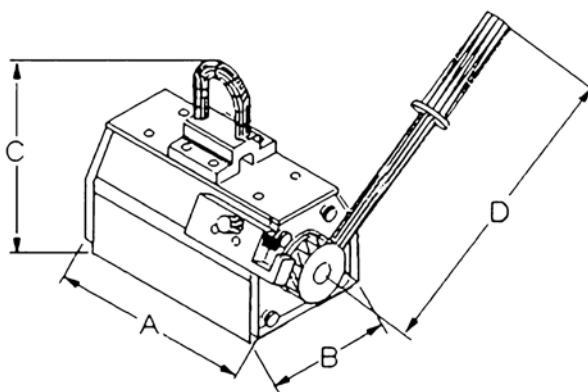
Permanent Load Lifting Magnets Series TPM

Type	Flat material			Round material			Proof load kg	Dimensions				Weight kg	EAN-No. 4025092*
	Capacity max.** kg	Material thickness min. mm	Length of material max. mm	Capacity max.** kg	at Ø mm	Length of material max. mm		A mm	B mm	C mm	D mm		
TPM 0,1	100	5	2000	50	200 - 300	2000	300	122	69	185	160	6	*558853
TPM 0,3	300	10	2500	150	200 - 300	2500	900	192	95	225	250	15,5	*558860
TPM 0,5	500	12	3000	250	200 - 400	3000	1500	232	120	270	250	29,5	*558877
TPM 0,8	800	16	3500	400	200 - 400	3500	2400	302	154	320	450	53	*558884
TPM 1,0	1000	18	3500	500	200 - 400	3500	3000	332	154	320	450	60	*558891

** measured on mild steel St 37

Reduction of capacity

	% of capacity
Temperature ≤ 60°C	100 %
Humidity ≤ 80 %	100 %
St 52	95 %
Alloy steel	80 %
High carbon steel	70 %
Cast iron	45 %
Nickel	45 %
Austenitic, stainless steel	0 %
Brass	0 %
Aluminium	0 %



Certified since November 1991

Your Tigrip dealer and service partner