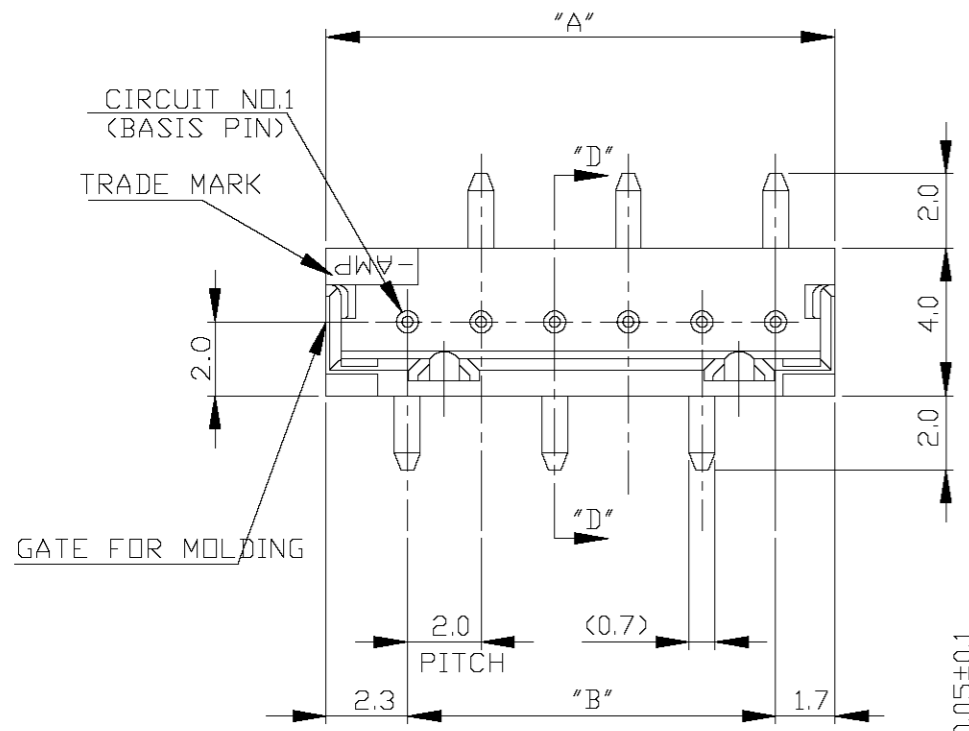
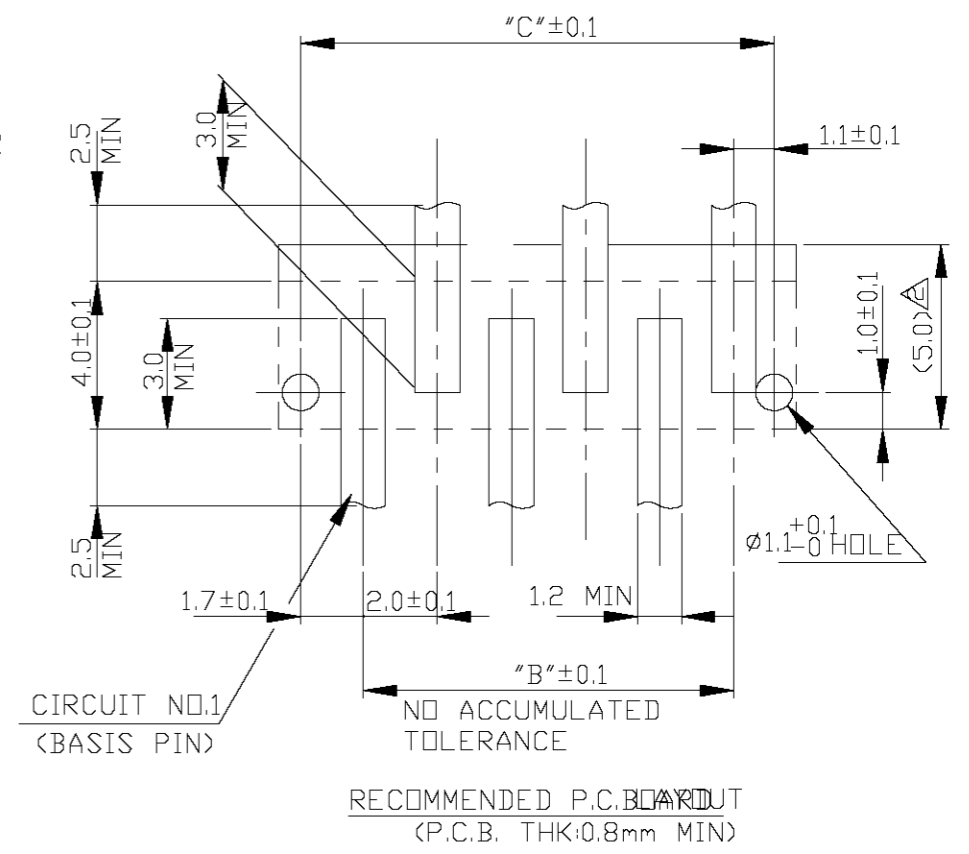
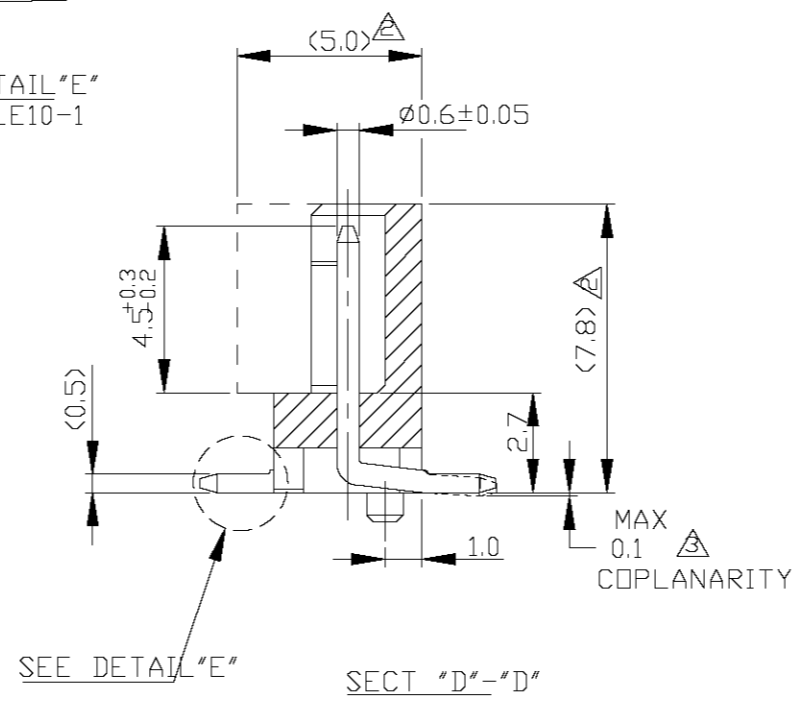
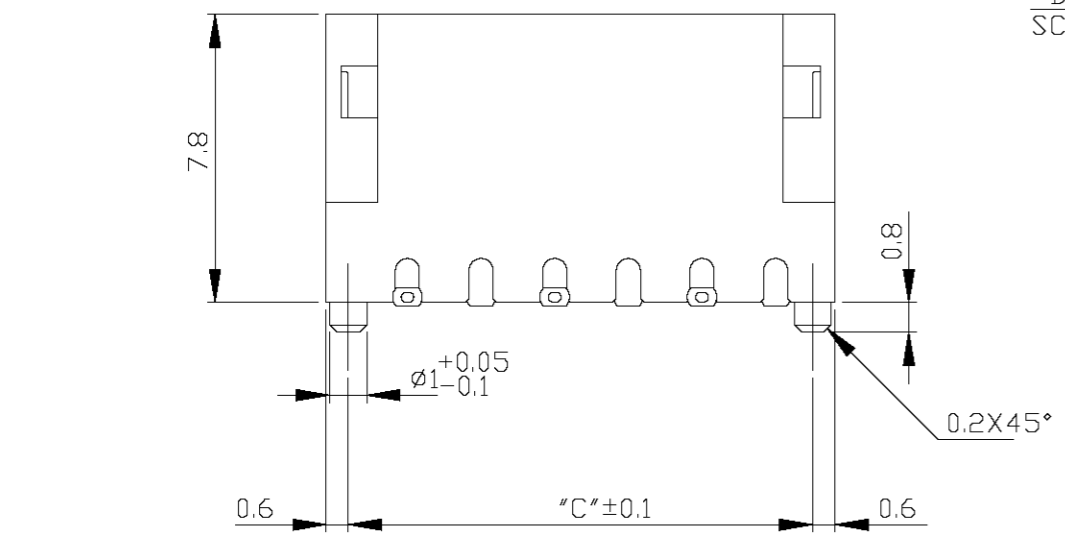
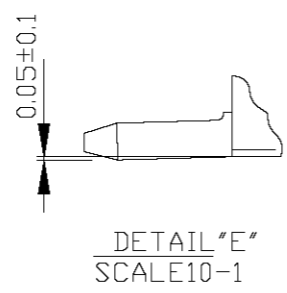


THIS DRAWING IS UNPUBLISHED. RELEASED FOR PUBLICATION  
 © COPYRIGHT BY TYCO ELECTRONICS CORPORATION. ALL RIGHTS RESERVED.

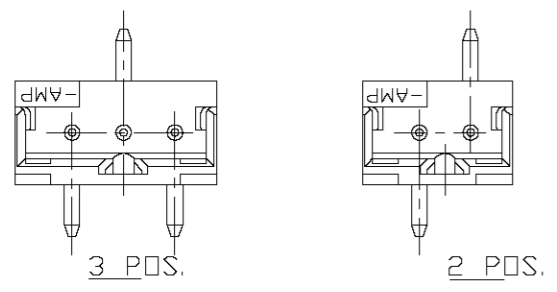
LOC		DIST		REVISIONS					
FB		00		P	LTR	DESCRIPTION	DATE	DWN	APVD
				A	REVISED	ECR-05-000512	19JAN06	C.W	S.Y



- MATERIAL: HOUSING-6T PA G.F.30%(UL94V0)  
COLOR- BLACK OR NATURAL  
POST- TIN BRASS
- △ OCCUPANT AREA ON PC BOARD  
(AFTER CONNECTOR MATING)
- △ TO BE MEASURED WITH CONNECTOR PLCD ON  
HORIZONTAL DATUM SURFACE, FLOAT OF SOLDER  
TINE FROM DATUM SURFACE IS 0.1mm MAX.
- TUBE P/N 8-720999-6
- PRODUCT MUST COME OUT SMOOTHLY FROM  
TUBE AT INCLINING THE TUBE TO 45°



20	20.0	16.0	18.8	9	6-292171-9	292171-9
25	18.0	14.0	16.8	8	6-8	8
30	16.0	12.0	14.8	7	6-7	7
30	14.0	10.0	12.8	6	6-6	6
40	12.0	8.0	10.8	5	6-5	5
45	10.0	6.0	8.8	4	6-4	4
60	8.0	4.0	6.8	3	6-3	3
80	6.0	2.0	4.8	2	6-292171-2	292171-2
QTY'S/ TUBE	"A"	"B"	"C"	POS.	NATURAL	BLACK



TOLERANCES UNLESS OTHERWISE SPECIFIED:

10**	: ±0.2
30**>10	: ±0.25
100**>30	: ±0.3
ANGEL	: ±3°

THIS DRAWING IS A CONTROLLED DOCUMENT.

DIMENSIONS:	TOLERANCES UNLESS OTHERWISE SPECIFIED:	DWN	23JAN03	 Tyco Electronics Corporation Harrisburg, Pa 17105-3608					
mm	0 PLC ±	J.JIANG	CHK						
	1 PLC ±	S.YAO	23JAN03						
	2 PLC ±	T.SASAKI	23JAN03						
	3 PLC ±	PRODUCT SPEC		NAME					
	4 PLC ±	108-60016		TUBE PACKING AMP CT CONN					
	ANGLES ±	APPLICATION SPEC		POST HDR ASS'Y (STD-V SMT)					
MATERIAL	FINISH ±	WEIGHT		SIZE	CAGE CODE	DRAWING NO	RESTRICTED TO		
				A3	00779	C=292171	-		
CUSTOMER DRAWING				SCALE	1:1	SHEET	1 OF 1	REV	A