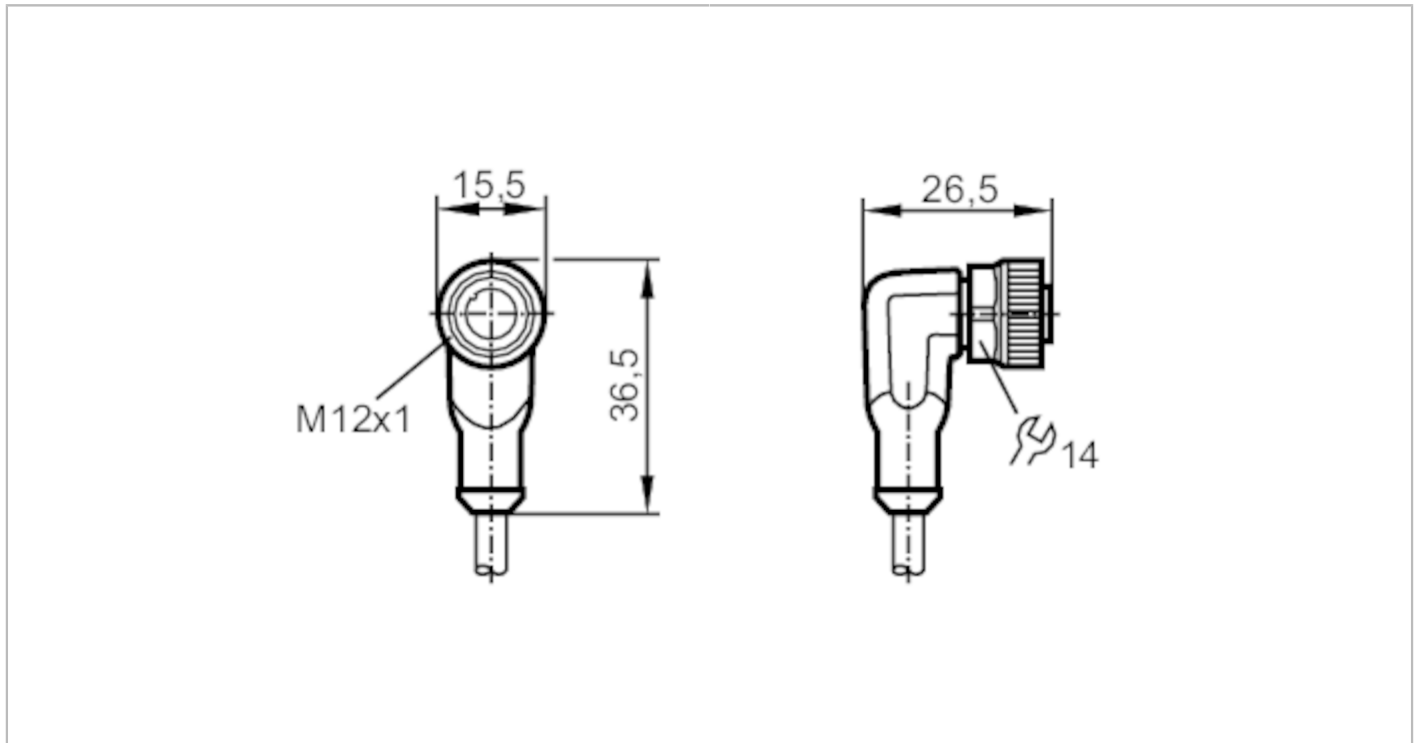


EVW004



Connecting cable with socket

ADOAH040SCS0002T04



Application				
Application	welding applications			
Free from silicone	yes			
Electrical data				
Operating voltage [V]	< 250 AC / < 300 DC			
Protection class	II			
Max. current load total [A]	4			
Operating conditions				
Ambient temperature [°C]	-25...90			
Note on ambient temperature	cULus: ...75 °C			
Ambient temperature (moving) [°C]	-25...90			
Note on ambient temperature (moving)	cULus: ...75 °C			
Protection	IP 65; IP 67; IP 68; IP 69K			
Mechanical data				
Weight [g]	89.8			
Dimensions [mm]	26.5 x 15.5 x 36.5			
Materials	housing: TPU orange; Sealing: FKM			
Material nut	brass			
Drag chain suitability	bending radius for flexible use	min. 10 x cable diameter		
	travel speed	max. 3.3 m/s for a horizontal travel length of 5 m and		

EVW004



Connecting cable with socket

ADOAH040SCS0002T04

	max. acceleration of 5 m/s ²		
bending cycles		> 2 Mio.	
torsional strain		± 180 °/m	

Remarks

Pack quantity

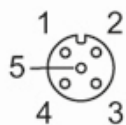
1 pcs.

Electrical connection

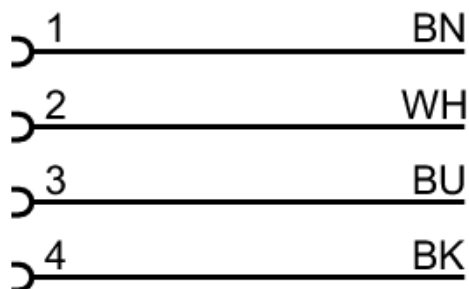
Cable: 2 m, PUR, Halogen-free, grey, Ø 4.9 mm; not irradiated (can be recycled); 4 x 0.34 mm² (42 x Ø 0.1 mm)

Cable: 2 m, PUR, Halogen-free, grey, Ø 4.9 mm; resistant to welding sparks; 4 x 0.34 mm² (42 x Ø 0.1 mm)

Connector: 1 x M12, angled; Locking: , brass, anti-spatter; Kontakte: gold-plated; Tightening torque: 0.6...1.5



Connection



Core colours :

BK = black
 BN = brown
 BU = blue
 WH = white