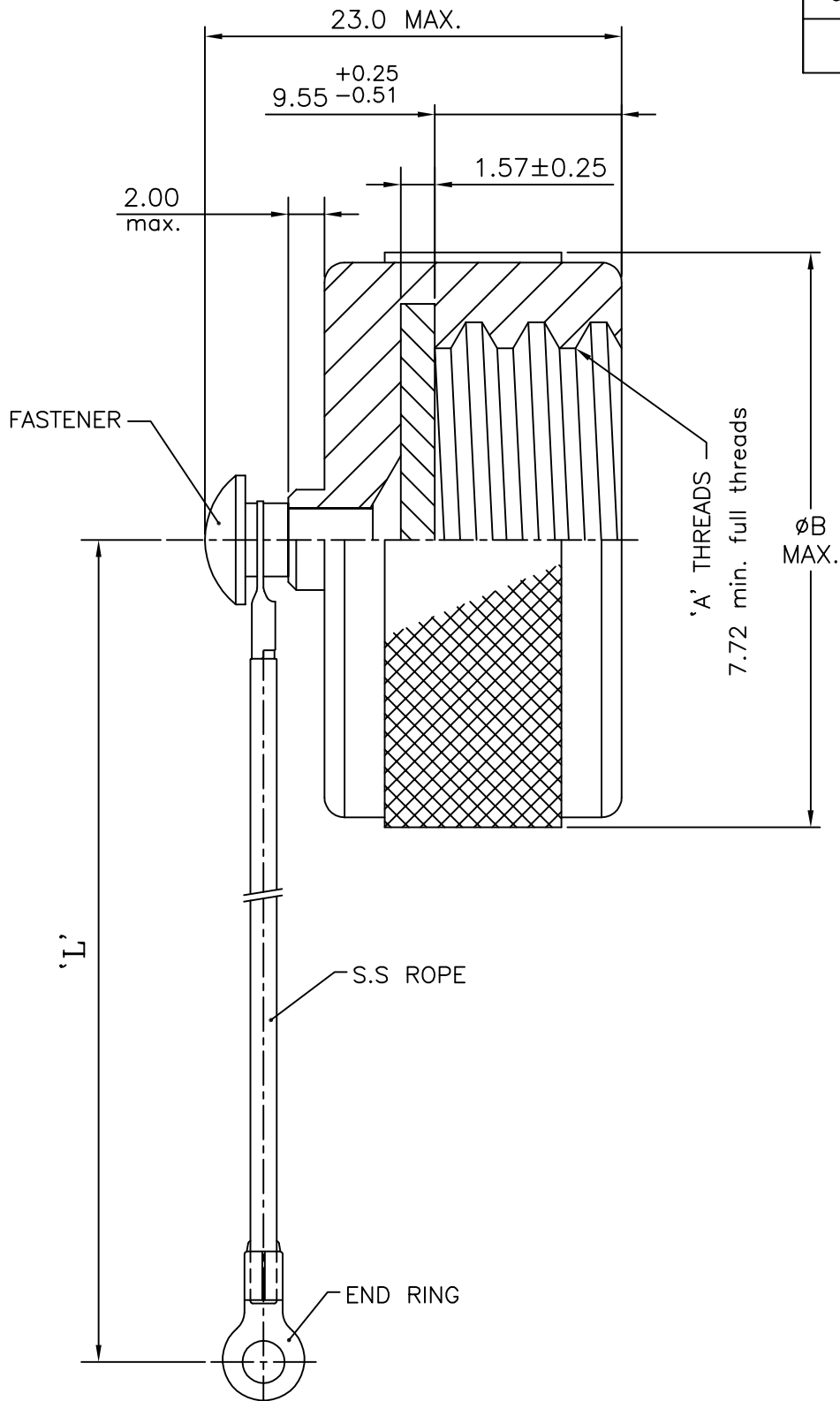


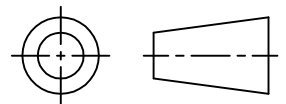
ISSUE NO.	ENG. REF. NO.	DATE	APP. BY
6	-	20/05/22	csmurke



(QPL)

AMPHENOL
Amphenol Interconnect
India Pvt. Ltd.
Pune 411026

TITLE
METAL DUST CAP ASSY. FOR
RECEPTACLE (09 TO 25) JAND38999/33



All Dimensions are in
MM/~~INCHES~~

STANDARD

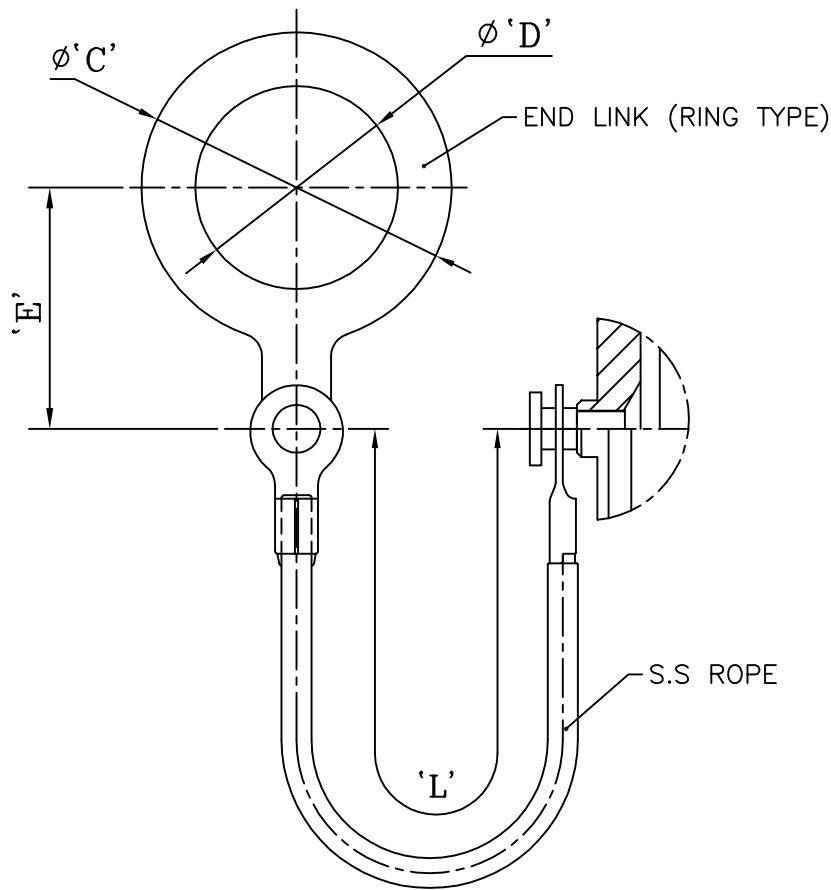
QF-DEV-05 REV-NO. 02	2011	Name	Date
	Drawn by	Kulkarni	13/9/11
	Checked by	RedKumar	13/9/11
	App. by	csmurke	14/9/11

Dwg. Size
A4

Dwg. No.

PSTD-10281

Sheet 1 of 3

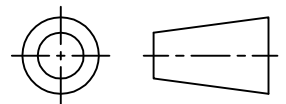


SHELL SIZE	'A'-0.1P-0.3L T.S THREAD - 2B	'B' +0.50 -0.0	'C' max dia	'D' min dia	'E' max min.	'L' +13.0 -7.0
09	0.625"	19.40	27.0	17.64	21.0\18.0	127.0
11	0.750"	22.60	32.0	21.97	22.5\18.5	
13	0.875"	25.75	37.0	25.15	25.0\23.5	
15	1.000"	28.90	40.0	29.92	31.0\25.0	
17	1.1875"	33.80	44.0	32.00	32.5\26.5	
19	1.250"	35.40	46.0	36.27	34.0\28.0	
21	1.375"	38.60	49.0	38.25	35.5\30.0	
23	1.500"	41.70	54.0	42.62	37.5\31.5	
25	1.625"	44.90	56.0	44.45	39.0\33.0	

Notes: 1) Dimensions are in mm, except "A threads" which are in inches.
 2) Method of attachment to cover and or ring is optional.

AMPHENOL
 Amphenol Interconnect
 India Pvt. Ltd.
 Pune 411026

TITLE
**METAL DUST CAP ASSY. FOR
 RECEPTACLE (09 TO 25) JAND38999/33**



All Dimensions are in
 MM/~~INCHES~~

QF-DEV-05 REV-NO. 02	2011	Name	Date
	Drawn by	Kulkarni	13/9/11
	Checked by	P.S. Kumar	13/9/11
	App. by	csmurke	14/9/11

Dwg. Size
A4

Dwg. No.

PSTD-10281

Sheet 2 of 3

STANDARD

REQUIREMENTS:

MATERIAL :-

Cover : Aluminum Alloy / Composite / Stainless Steel

Gasket : Silicone elastomer.

Ring : Corrosion resistant steel, passivated.

Rope : Stainless Steel teflon coated.

Insulation shall withstand 200°C environment.

Fastener : Stainless Steel, passivated.

Option : Aluminum / Stainless Steel intgral to cover.

MATING CONNECTOR: MIL-DTL-38999, series III.

Gasket shall be mechanically retained.

Rope shall rotate freely on fastener.

Fastener tensile strength: Both axial and longitudinal directions shall be 25 pounds. The load shall be applied to the end of rope.

ORDERING INFORMATION:

JAND38999/33 W 15 R

Designates Receptacle Cover

Class:-

W - Aluminum, 500 Hrs Cadmium Olive Drab

F - Aluminum, 48 Hrs. Electroless Nickel

Z - Aluminum, Black Zinc Nickel

* J - Composite, 500 Hrs Cadmium Olive Drab

* M - Composite, 48 Hrs. Electroless Nickel

K - Stainless Steel, Passivated

N - Stainless Steel, Electroless Nickel

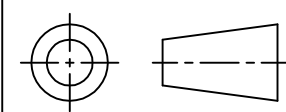
Shell size:- 9,11,13,15,17,19,21,23 & 25

Style:-

N - With S.S. Rope & Ring.

R - With S.S. Rope.

* CONSULT FACTORY FOR AVAILABILITY.

<p>AMPHENOL Amphenol Interconnect India Pvt. Ltd. Pune 411026</p>		TITLE		
		METAL DUST CAP ASSY. FOR RECEPTACLE (09 TO 25) JAND38999/33		
QF-DEV-05 REV-NO. 02	2011	Name	Date	Dwg. No. PSTD-10281
	Drawn by	<i>Kulkarni</i>	13/9/11	
	Checked by	<i>Redd Kumar</i>	13/9/11	
	App. by	<i>csmurke</i>	14/9/11	Sheet 3 of 3
				<p>All Dimensions are in MM/INCHES</p> <p>STANDARD</p>