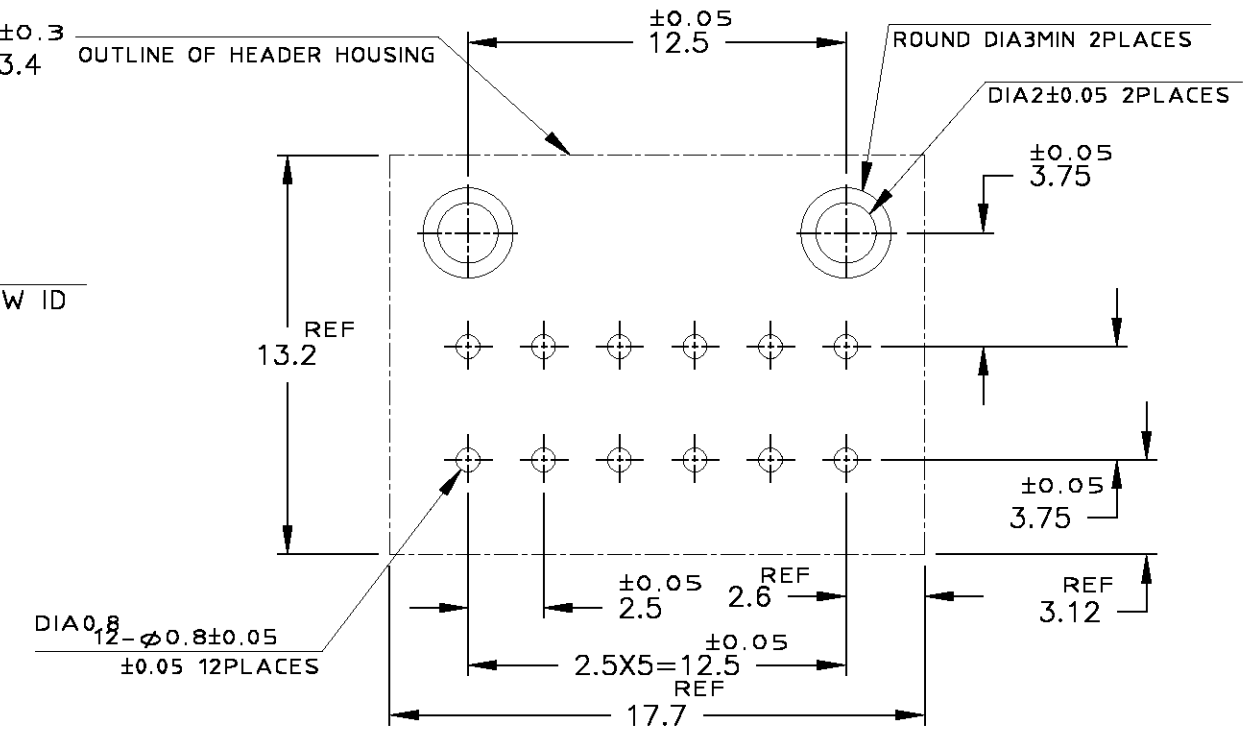
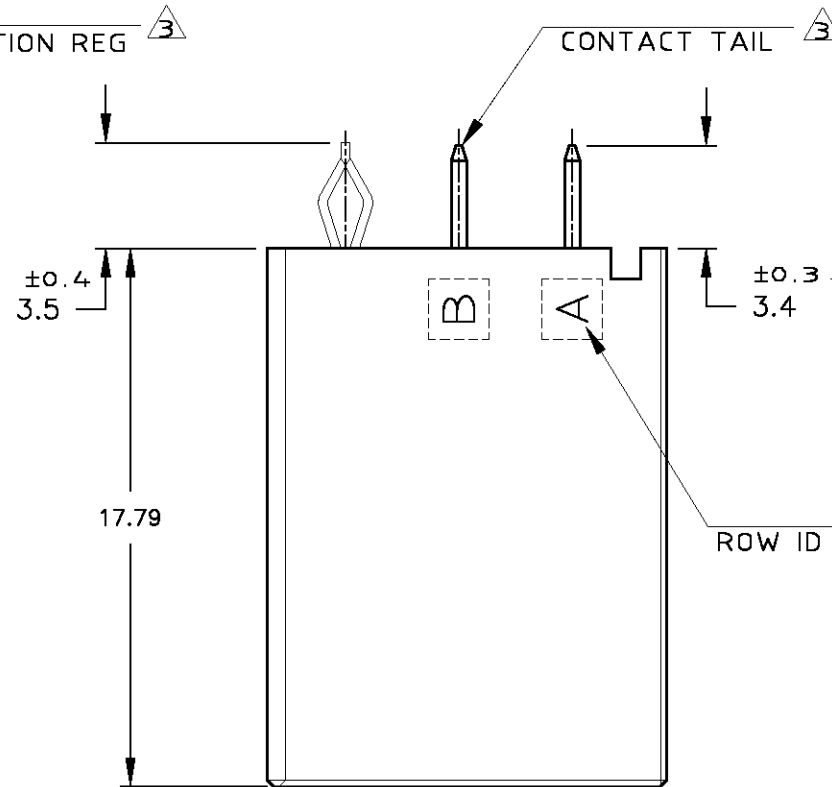
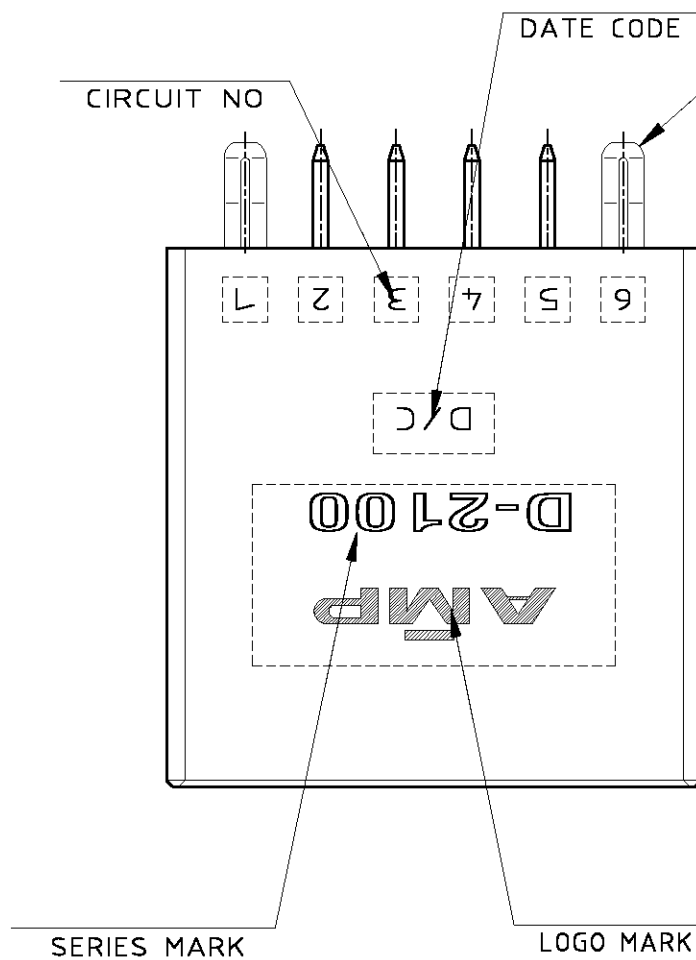


LOC J
DIST

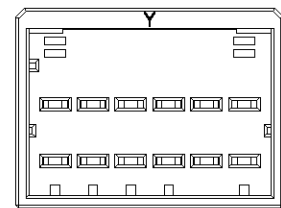
REVISIONS

P	LTR	DESCRIPTION	DATE	DWN	APVD
	D	REVISED	25APR11	MM	NY

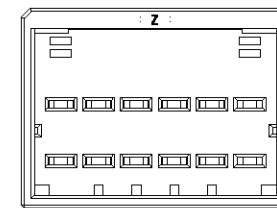
1318126-1/-2/-3 : AS SHOWN
9-1318126-2



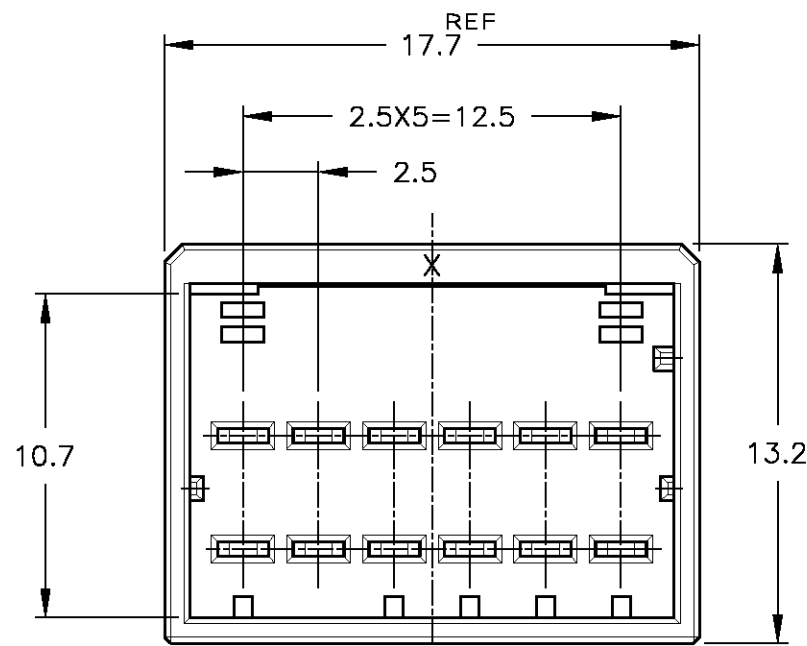
RECOMENDED PC BOARD HOLE PATTERN(TOL:±0.05)
PC BOARD THICKNESS:1.6±0.3
(CONNECTOR MOUNT SIDE)



9-1318126-2
1318126-2
(KEYING Y)
SCALE:2-1



1318126-3
(KEYING Z)
SCALE:2-1



1318126-1
(KEYING X)

NOTES

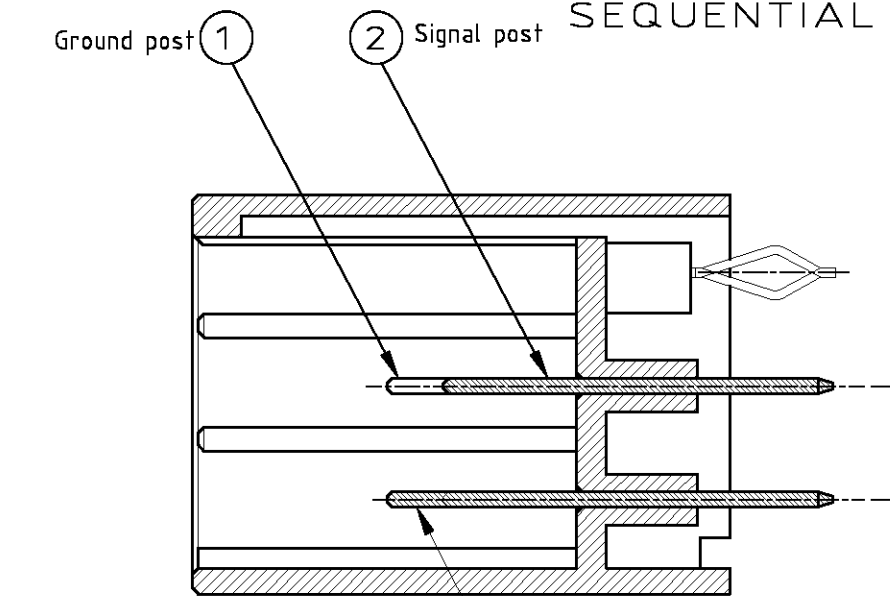
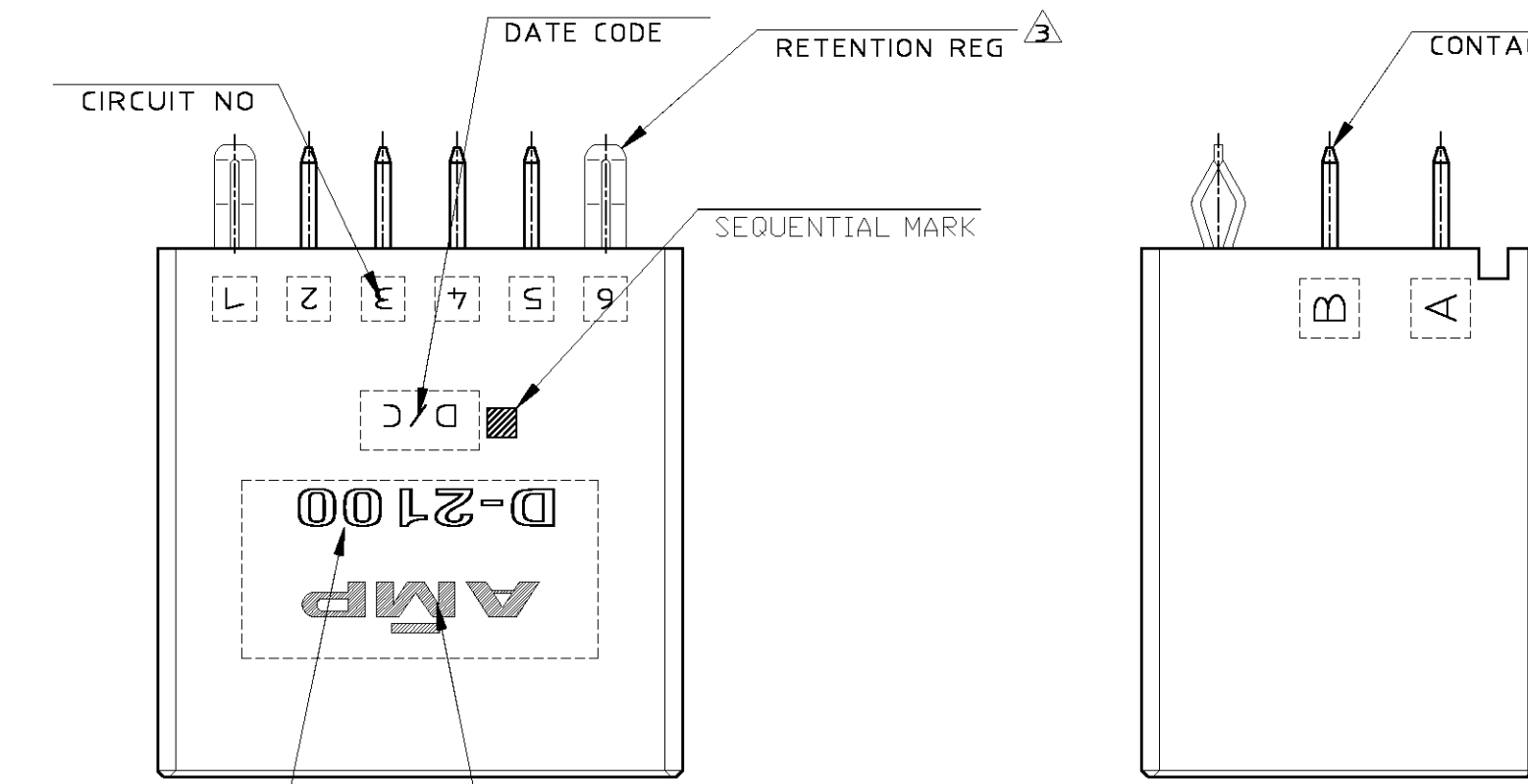
- MATERIAL:HOUSING:GLASS FILED THERMO PLASTIC ,POLYESTER(94V-0),
COLOR: 1318126-1/-2/-3 : BLACK
9-1318126-2 : NATURAL
TAB CONTACT:COPPER ALLOY
RETENTION LEG:BRASS
- FINISH(CONTACT AREA):0.38μmMIN GOLD PLATING
OVER NI PLATING
- FINISH(RETENTION LEG): TIN PLATED
(CONTACT TAIL) OVER NICKEL

KEY	COLOR	TYPE	PART NO
Y	BLACK	SEQUENTIAL SHEET2	1-1318126-2
X	BLACK	SEQUENTIAL SHEET2	1-1318126-1
Z	BLACK	NORMAL	1318126-3
Y	NATURAL	NORMAL	9-1318126-2
Y	BLACK	NORMAL	1318126-2
X	BLACK	NORMAL	1318126-1

DWN K.IKEDA 7/DEC/'98		TE Connectivity	
CHK N.MATSUBARA 7/DEC/'98			
APVD I.HASEGAWA 7/DEC/'98		NAME	
PRODUCT SPEC		DOUBLE ROW HEADER ASS'Y 12P ("V"TYPE) <DYNAMIC D-2100D>	
APPLICATION SPEC		SIZE	RESTRICTED TO
114-5258		A3	-
WEIGHT		CAGE CODE	DRAWING NO
SEE NOTES		00779	C-1318126
SEE NOTES		SCALE	SHEET
CUSTOMER DRAWING		4-1	1 OF 2

LOC	DIST	REVISIONS				
P	LTR	DESCRIPTION	ECN	DATE	DWN	APVD
J		SEE SHEET 1				

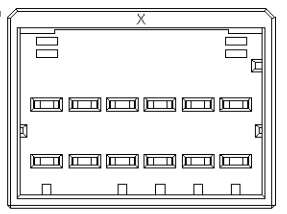
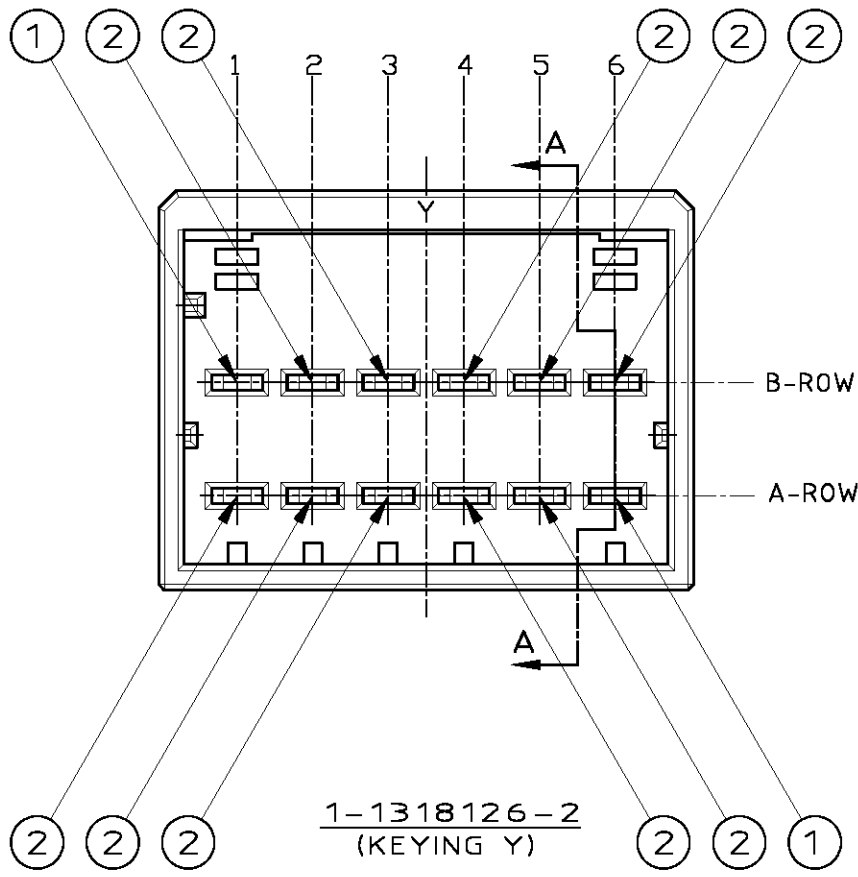
1-1318126-1,2;AS SHOWN SEQUENTIAL TYPE



Ground post (1)
Signal post (2)
SECT A-A

		CIRCUIT NO					
		1	2	3	4	5	6
R O W	B	① Ground	② Signal	② Signal	② Signal	② Signal	② Signal
	A	② Signal	② Signal	② Signal	② Signal	② Signal	① Ground

POINT OF SEQUENTIAL
1-1318126-1,2



1-1318126-1
(KEYING X)
SCALE:2-1

1-1318126-2
(KEYING Y)

NOTES

- 1. MATERIAL:HOUSING:GLASS FILED THERMO PLASTIC ,POLYESTER(94V-0),COLOR:BLACK
TAB CONTACT:COPPER ALLOY
RETENTION LEG:BRASS
- 2. FINISH(CONTACT AREA):0.38μmMIN GOLD PLATING OVER Ni PLATING
- 3. FINISH(RETENTION LEG): TIN PLATED (CONTACT TAIL) OVER NICKEL

DIMENSIONS: mm		TOLERANCES UNLESS OTHERWISE SPECIFIED 100 μm : ±0.3 300 μm : ±0.35 1000 μm : ±0.4 ANGLE : ±3°		DWN K.IKEDA 7/DEC/98 CHK N.MATSUBARA 7/DEC/98 APVD I.HASEGAWA 7/DEC/98 PRODUCT SPEC 108-5619 APPLICATION SPEC 114-5258 WEIGHT T1		TE Connectivity DOUBLE ROW HEADER ASS'Y 12P ("V"TYPE) <DYNAMIC D-2100D>		RESTRICTED TO	
MATERIAL SEE NOTES		FINISH SEE NOTES		CUSTOMER DRAWING		SIZE A3	CAGE CODE 00779	DRAWING NO C-1318126	
SCALE 4-1						SHEET 2 OF 2		REV D	