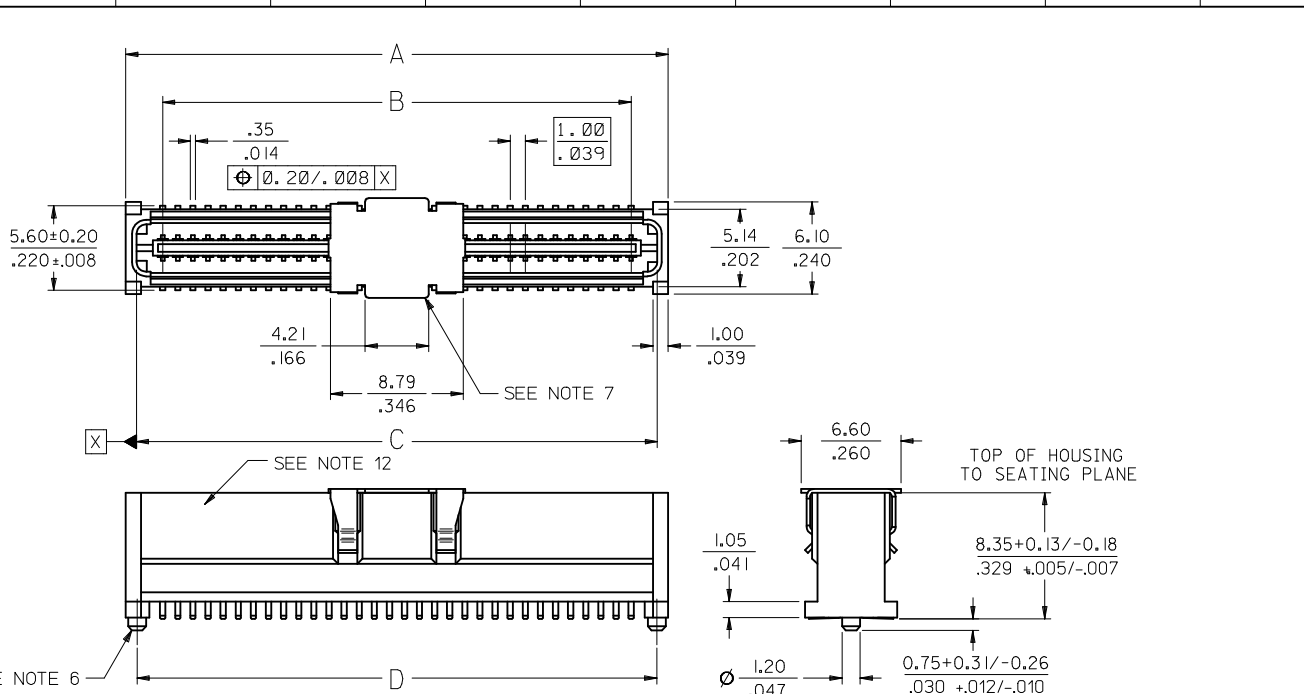


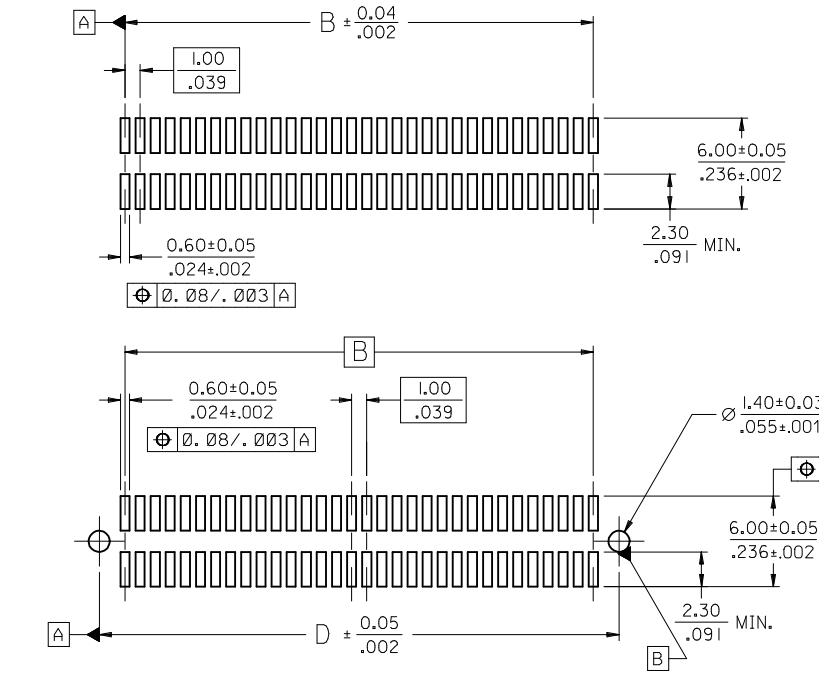
13 12 11 10 9 8 7 6 5 4 3 2 1



| CIRCUIT SIZE | DIM. A | DIM. B | DIM. C | DIM. D |
|--------------|----------------|----------------|----------------|----------------|
| 20 | 13.90 .547 | 9.00 .354 | 12.58 .495 | 12.40 .488 |
| 30 | 18.90 .744 | 14.00 .551 | 17.58 .692 | 17.40 .685 |
| 40 | 23.90 .941 | 19.00 .748 | 22.58 .889 | 22.40 .882 |
| 50 | 28.90 1.138 | 24.00 .945 | 27.58 1.086 | 27.40 1.079 |
| 60 | 33.90 1.335 | 29.00 1.142 | 32.58 1.283 | 32.40 1.276 |
| 64 | 35.90 1.413 | 31.00 1.220 | 34.58 1.361 | 34.40 1.354 |
| 70 | 38.90 1.531 | 34.00 1.339 | 37.58 1.480 | 37.40 1.472 |
| 80 | 43.90 1.728 | 39.00 1.535 | 42.58 1.676 | 42.40 1.669 |
| 84 | 45.90 1.807 | 41.00 1.614 | 44.58 1.755 | 44.40 1.748 |
| 90 | 48.90 1.925 | 44.00 1.732 | 47.58 1.873 | 47.40 1.866 |
| 100 | 53.90 2.122 | 49.00 1.929 | 52.58 2.070 | 52.40 2.063 |
| 110 | 58.90 2.319 | 54.00 2.126 | 57.58 2.267 | 57.40 2.260 |
| 120 | 63.90 2.516 | 59.00 2.323 | 62.58 2.464 | 62.40 2.457 |

NOTES:

- HOUSING MATERIAL: LIQUID CRYSTAL POLYMER (LCP) GLASS FILLED.; UL RATING: 94V-0; COLOR: WHITE OR BLACK
TERMINAL MATERIAL: PHOSPHOR BRONZE; 0.205/.0080 THICK
VACUUM CAP MATERIAL: STAINLESS STEEL; 0.255/.0100 THICK
- PLATING FINISHES: SEE SHEET 2
- PRODUCT SPECIFICATION: PS-71436-999
- PACKAGING SPECIFICATIONS: REFER TO CHART ON SHEET 2.
- MATES WITH: 71439 SERIES. SEE SHEET 2 FOR MATING VIEW AND STACK HEIGHT.
- PEGS ARE OPTIONAL. REFER TO CHART ON SHEET 2.
- VACUUM PICK & PLACE CAP IS OPTIONAL. REFER TO CHART ON SHEET 2.
- THIS PART CONFORMS TO EIA STANDARD 700 AAAB FOR 1.0mm TWO-PART CONNECTORS FOR USE WITH PARALLEL PRINTED BOARDS.
- COPLANARITY OF SMT TAILS: 0.10/.004 MAX.
- 64-CIRCUIT PLUG ASSEMBLY WITH PEGS AND VACUUM CAP SHOWN FOR ILLUSTRATION PURPOSES ONLY.
- DIMENSIONS ARE IN mm/IN. INCH DIMENSIONS SHOWN FOR REFERENCE ONLY.
- ASSEMBLY TO HAVE DATE CODE: XX XX WEEK YEAR



RECOMMENDED PCB LAYOUT (WITH AND WITHOUT PEGS)

RECOMMENDED PCB THICKNESS: 1.00±0.10/.039±.004 MIN.

| | | | | | | | |
|---|--------------------------------------|---|--|---|---|--------------------------------|---------------------|
| P/N -2064 TO PK -0606 EC NO: UCP2015-1406 DRW:WHIPPLE 2014/10/14 CHK:DBARKER 2014/10/14 APPR:SMILLER 2014/10/27 | QUALITY SYMBOLS ▽=0 ▽=0 ▽=0 | GENERAL TOLERANCES (UNLESS SPECIFIED) mm INCH 4 PLACES ± --- ± --- 3 PLACES ± --- ± .005 2 PLACES ± 0.13 ± .01 1 PLACE ± 0.25 ± --- 0 PLACE ± --- ± --- | DIMENSION STYLE MM/IN DRAWN BY DATE REED 1995/03/23 CHECKED BY DATE REED 1995/01/23 APPROVED BY DATE SMILLER 2014/10/27 | SCALE DESIGN UNITS METRIC THIRD ANGLE PROJECTION | TITLE SALES ASSY, 1.0MM BOARD TO BOARD PLUG CONNECTOR 4.30/.169 STACK HEIGHT molex | DOCUMENT NO. SDA-71436-2*** | SHEET NO. 1 OF 2 |
| | | DRAFT WHERE APPLICABLE MUST REMAIN WITHIN DIMENSIONS | MATERIAL NO. SEE SHEET 2 | THIS DRAWING CONTAINS INFORMATION THAT IS PROPRIETARY TO MOLEX INCORPORATED AND SHOULD NOT BE USED WITHOUT WRITTEN PERMISSION | | | |

12 11 10 9 8 7 6 5 4 3 2 1

WHITE (NATURAL) MATERIAL

| CIRCUIT SIZE | PLUG ASSEMBLY ITEM NUMBER | PEGS | CONTACT PLATING (SEE PLATING NOTES) | PICK & PLACE CAP | PACKAGING SPEC. NUMBER | PACKAGING TYPE |
|--------------|---------------------------|------|-------------------------------------|------------------|------------------------|----------------|
| 64 | 71436-2164 | YES | 30 GOLD | NO | PK-70873-0607 | TUBE |
| 64 | 71436-2364 | YES | 30 GOLD | YES | PK-70873-0607 | TUBE |
| 64 | 71436-2464 | YES | 30 GOLD | YES | PK-70873-063 | TAPE & REEL |
| 64 | 71436-2564 | NO | 30 GOLD | NO | PK-70873-0606 | TUBE |
| 64 | 71436-2764 | NO | 30 GOLD | YES | PK-70873-0606 | TUBE |
| 64 | 71436-2864 | NO | 30 GOLD | YES | PK-70873-063 | TAPE & REEL |
| 64 | 71436-2264 | NO | 50 GOLD | YES | PK-70873-063 | TAPE & REEL |
| 64 | 71436-2664 | YES | 50 GOLD | NO | PK-70873-0607 | TUBE |
| 64 | 71436-2064 | NO | 50 GOLD | NO | PK-70873-0606 | TUBE |

PLATING NOTES:

30 GOLD: SELECTIVE GOLD (Au) IN THE CONTACT AREA;
THICKNESS = 0.76 MICROMETERS (30 MICROINCHES) MINIMUM;
SELECTIVE TIN (Sn) IN THE PC TAIL AREA;
THICKNESS = 1.88 MICROMETERS (75 MICROINCHES) MINIMUM;
NICKEL UNDERPLATE OVERALL.

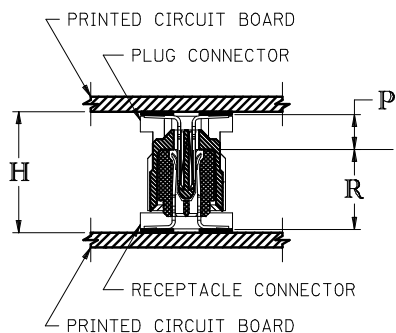
50 GOLD: SELECTIVE GOLD (Au) IN THE CONTACT AREA;
THICKNESS = 1.27 MICROMETERS (50 MICROINCHES) MINIMUM;
SELECTIVE TIN (Sn) IN THE PC TAIL AREA;
THICKNESS = 1.88 MICROMETERS (75 MICROINCHES) MINIMUM;
NICKEL UNDERPLATE OVERALL.

BLACK MATERIAL WITH PICK & PLACE CAP

| CIRCUIT SIZE | PLUG ASSEMBLY ITEM NUMBER | PEGS | CONTACT PLATING (SEE NOTES PAGE2) | PICK & PLACE CAP | PACKAGING SPEC. NUMBER | PACKAGING TYPE |
|--------------|---------------------------|------|-----------------------------------|------------------|------------------------|----------------|
| 64 | 71436-2964 | NO | 30 GOLD | YES | PK-70873-063 | TAPE & REEL |

RECOMMENDED PLUG/RECEPTACLE COMBINATION FOR
MATED STACK HEIGHT PER EIA STANDARD 700 AAAB

| MATED STACK HEIGHT | RECEPTACLE HEIGHT | RECEPTACLE SERIES NO. | PLUG HEIGHT | PLUG SERIES NO. |
|--------------------|-------------------|-----------------------|-------------|-----------------|
| 10.00/.394 | 5.30/.209 | 71439-0*** | 4.30/.169 | 71436-2*** |
| 12.00/.472 | 7.30/.287 | 71439-1*** | 4.30/.169 | 71436-2*** |
| 13.00/.512 | 8.30/.327 | 71439-2*** | 4.30/.169 | 71436-2*** |
| 15.00/.591 | 10.30/.406 | 71439-3*** | 4.30/.169 | 71436-2*** |



PLUG STACK HEIGHT
+ RECEPTACLE STACK HEIGHT
+ 0.40/.016 (SOLDER PASTE ALLOWANCE)
= MATED STACK HEIGHT

P = PLUG STACK HEIGHT
R = RECEPTACLE STACK HEIGHT
H = MATED STACK HEIGHT

| | | | | | | | | | | |
|---|--------------------------------------|--|--------|--------------------------|--------------|------------|--|--|---|--|
| SEE SHEET 1 EC NO: UCP2015-1406 DRW:RMH/PPLE 2014/10/14 CHKD:BBARKER 2014/10/14 APPR:SMILLER 2014/10/27 | QUALITY SYMBOLS ∇=0 ∇=0 ∇=0 | GENERAL TOLERANCES (UNLESS SPECIFIED) | | DIMENSION STYLE MM/IN | | SCALE | DESIGN UNITS METRIC | THIRD ANGLE PROJECTION | | |
| | | | | mm | INCH | DRAWN BY | DATE | TITLE SALES ASSY, 10MM BOARD TO BOARD PLUG CONNECTOR 4.30/.169 STACK HEIGHT | | |
| | | | | | | REED | 1995/03/23 | | | |
| | | | | 4 PLACES | ± --- | ± --- | CHECKED BY | DATE | DOCUMENT NO. SDA-71436-2*** SHEET NO. 2 OF 2 | |
| | | 3 PLACES | ± --- | ± .005 | REED | 1995/01/23 | | | | |
| | | 2 PLACES | ± 0.13 | ± .01 | APPROVED BY | DATE | | | | |
| | | 1 PLACE | ± 0.25 | ± --- | SMILLER | 2014/10/27 | | | | |
| | | 0 PLACE | ± --- | ± --- | MATERIAL NO. | | THIS DRAWING CONTAINS INFORMATION THAT IS PROPRIETARY TO MOLEX. INCORPORATED AND SHOULD NOT BE USED WITHOUT WRITTEN PERMISSION | | | |
| | | ANGULAR ±1/2° | | SEE TABLES | | | | | | |
| | | DRAFT WHERE APPLICABLE MUST REMAIN WITHIN DIMENSIONS | | | | | | | | |

WHITE (NATURAL) MATERIAL

| CIRCUIT SIZE | PLUG ASSEMBLY ITEM NUMBER | PEGS | CONTACT PLATING (SEE PLATING NOTES) | PICK & PLACE CAP | PACKAGING SPEC. NUMBER | PACKAGING TYPE |
|--------------|---------------------------|------|-------------------------------------|------------------|------------------------|----------------|
| 64 | 71436-2164 | YES | 30 GOLD | NO | PK-70873-0607 | TUBE |
| 64 | 71436-2364 | YES | 30 GOLD | YES | PK-70873-0607 | TUBE |
| 64 | 71436-2464 | YES | 30 GOLD | YES | PK-70873-063 | TAPE & REEL |
| 64 | 71436-2564 | NO | 30 GOLD | NO | PK-70873-0606 | TUBE |
| 64 | 71436-2764 | NO | 30 GOLD | YES | PK-70873-0606 | TUBE |
| 64 | 71436-2864 | NO | 30 GOLD | YES | PK-70873-063 | TAPE & REEL |
| 64 | 71436-2264 | NO | 50 GOLD | YES | PK-70873-063 | TAPE & REEL |
| 64 | 71436-2664 | YES | 50 GOLD | NO | PK-70873-0607 | TUBE |
| 64 | 71436-2064 | NO | 50 GOLD | NO | PK-70873-0607 | TUBE |

PLATING NOTES:

30 GOLD: SELECTIVE GOLD (Au) IN THE CONTACT AREA;
THICKNESS = 0.76 MICROMETERS (30 MICROINCHES) MINIMUM;
SELECTIVE TIN (Sn) IN THE PC TAIL AREA;
THICKNESS = 1.88 MICROMETERS (75 MICROINCHES) MINIMUM;
NICKEL UNDERPLATE OVERALL.

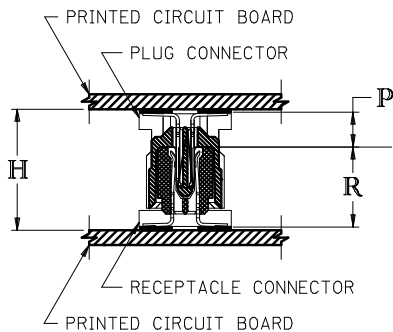
50 GOLD: SELECTIVE GOLD (Au) IN THE CONTACT AREA;
THICKNESS = 1.27 MICROMETERS (50 MICROINCHES) MINIMUM;
SELECTIVE TIN (Sn) IN THE PC TAIL AREA;
THICKNESS = 1.88 MICROMETERS (75 MICROINCHES) MINIMUM;
NICKEL UNDERPLATE OVERALL.

BLACK MATERIAL WITH PICK & PLACE CAP

| CIRCUIT SIZE | PLUG ASSEMBLY ITEM NUMBER | PEGS | CONTACT PLATING (SEE NOTES PAGE2) | PICK & PLACE CAP | PACKAGING SPEC. NUMBER | PACKAGING TYPE |
|--------------|---------------------------|------|-----------------------------------|------------------|------------------------|----------------|
| 64 | 71436-2964 | NO | 30 GOLD | YES | PK-70873-063 | TAPE & REEL |
| | | | | | | |

RECOMMENDED PLUG/RECEPTACLE COMBINATION FOR MATED STACK HEIGHT PER EIA STANDARD 700 AAAB

| MATED STACK HEIGHT | RECEPTACLE HEIGHT | RECEPTACLE SERIES NO. | PLUG HEIGHT | PLUG SERIES NO. |
|--------------------|-------------------|-----------------------|-------------|-----------------|
| 10.00/.394 | 5.30/.209 | 71439-0*** | 4.30/.169 | 71436-2*** |
| 12.00/.472 | 7.30/.287 | 71439-1*** | 4.30/.169 | 71436-2*** |
| 13.00/.512 | 8.30/.327 | 71439-2*** | 4.30/.169 | 71436-2*** |
| 15.00/.591 | 10.30/.406 | 71439-3*** | 4.30/.169 | 71436-2*** |



PLUG STACK HEIGHT
+ RECEPTACLE STACK HEIGHT
+ 0.40/.016 (SOLDER PASTE ALLOWANCE)
= MATED STACK HEIGHT

BOTTOMING SURFACE

P = PLUG STACK HEIGHT
R = RECEPTACLE STACK HEIGHT
H = MATED STACK HEIGHT

| | | | | | | | |
|---|--------------------------|---|---|---|--------------------|------------------------|--|
| ADD 71436-2064/-2664 EC NO: UCP2007-2420 DRWN:MSI BARRA 2007/05/08 CHKD:J MORGAN 2007/05/17 APPR:SMILLER 2007/05/18 | QUALITY SYMBOLS | GENERAL TOLERANCES (UNLESS SPECIFIED) | DIMENSION STYLE | SCALE | DESIGN UNITS | THIRD ANGLE PROJECTION | |
| | $\nabla=0$ $\nabla=0$ | mm INCH | MM/IN | --- | INCH | | |
| | | 4 PLACES ± --- ± --- 3 PLACES ± --- ± --- 2 PLACES ± --- ± --- 1 PLACE ± --- ± --- | DRAWN BY DATE REED 1995/03/23 CHECKED BY DATE REED 1995/03/23 APPROVED BY DATE BIXLER 1995/03/23 | TITLE SALES ASSY, 1.0MM BOARD TO BOARD PLUG CONNECTOR 4.30/.169 STACK HEIGHT | MOLEX INCORPORATED | | |
| | | ANGULAR ±1/2° | MATERIAL NO. SEE TABLE DOCUMENT NO. SDA-71436-2*** | SHEET NO. 2 OF 2 | | | |
| | | DRAFT WHERE APPLICABLE MUST REMAIN WITHIN DIMENSIONS | THIS DRAWING CONTAINS INFORMATION THAT IS PROPRIETARY TO MOLEX INCORPORATED AND SHOULD NOT BE USED WITHOUT WRITTEN PERMISSION | | | | |