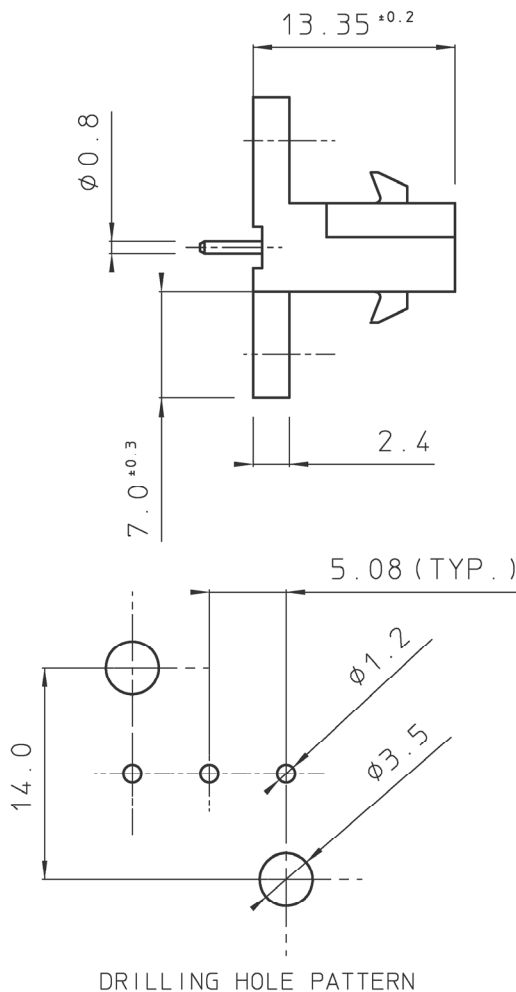
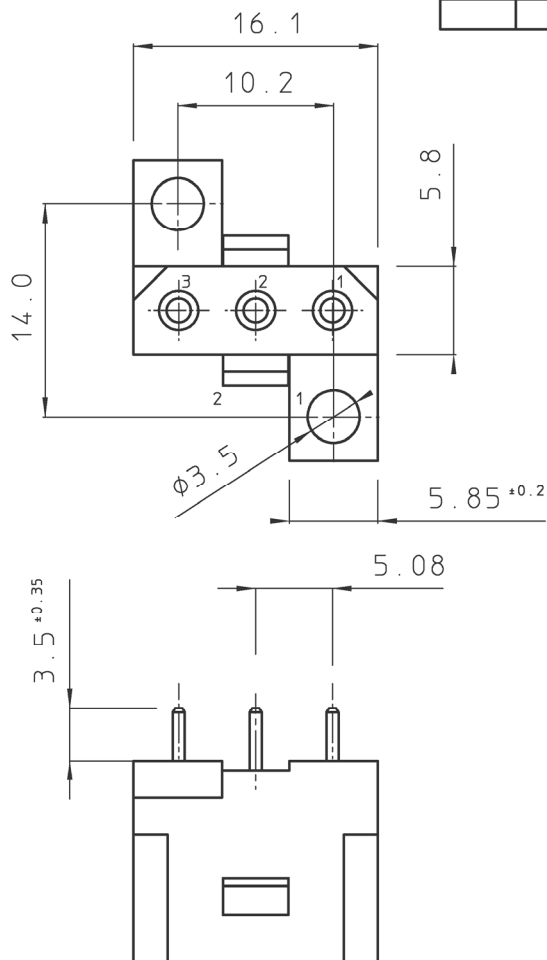


DIT IS ONZE EIGENDOM EN MAG NOCH NAGEMAAKT, HERDRUKT, OVERGEMAAKT AAN DERDEN, NOCH VOOR FABRIKATIE GEBRUIKT WORDEN, ZONDER ONZE SCHRIFTELIJKE TOELATING. BIJ NIET GEBRUIK IS DE TERUGZENDING VERPLICHT.

THIS IS OUR EXCLUSIVE PROPERTY. IT IS NOT TO BE COPIED, REPRINTED OR DISCLOSED TO A THIRD PARTY, NOR USED FOR MANUFACTURING WITHOUT OUR WRITTEN CONSENT, AND HAS TO BE RETURNED TO US IN CASE OF NO USAGE

BS, A , 202362, 002, 00

REV.	DATE	DESCRIPTION	BY	C'K'D'
00	14.08.97	REDRAWN FROM DRAWING BSA 062109 SHEET 2	S.V.D.	



**MATERIAL :**

BODY : POLYESTER 30% GLASS FILLED, UL94V-0, COLOUR : BLACK  
 CONTACTS : CONTACT BODY : BRASS, GOLD OR TIN PLATED  
 INNER SPRING : BERYLLIUM COPPER, GOLD OR NICKEL PLATED

**PERFORMANCE CHARACTERISTICS :**

OPERATING TEMPERATURE : -55°C TO 105°C  
 INSULATING RESISTANCE : 5000 M $\Omega$  MIN.  
 TEST POTENTIAL : 2000 VAC

**NOTES :**

- CONNECTOR SUPPLIED FULLY LOADED WITH MACHINED SOCKET CONTACTS.  
 GOLD PLATED : SMS3GE3 ; GOLD FLASH : SMS3GE3J ; TIN PLATED : SMS3GE3T
- MATING PART SMS3P1 PLUG
- PC-BOARD THICKNESS : 2.4 MM

GEN. ST.	01	02	03	04	05	06	07	08	0D	50	60	70	80	90																	
INT. ST.	10	11	12	13	14	18	20	31	32	33	34	38	39	40	42	43	44	45	46	48	56	70	72	73	75	76	81	82	83	84	88

1DEC ±0,2 1DEC 2DEC ±0,1 2DEC ANGLES ±1° HOEKEN	<b>APPR.</b>	<b>DATE</b>	<b>SIGN.</b>	SMS QIKMATE STRAIGHT FEMALE REC. WITH MACH. CONT.
	DRAFT	14-08-97	S. Van Dessel	<b>CAT. No.</b> SMS3GE3*
WE RESERVE THE RIGHT TO CHANGE DIMENSIONS OR REQUIREMENTS WITHOUT PRIOR NOTICE.	PROD. MGR.			SOURIAU Route Nationale 23 72470 CHAMPAGNE
	PR. ENG. MGR.			
ALL DIMENSIONS IN MM ALLE AFMETINGEN IN MM	<b>REFERENCES / REFERENTIES</b>			BS, A , 202362, 002, 00 DRAWING NR. CUSTOMER DRAWING