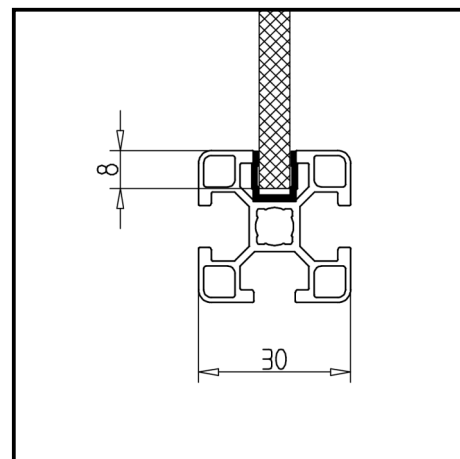
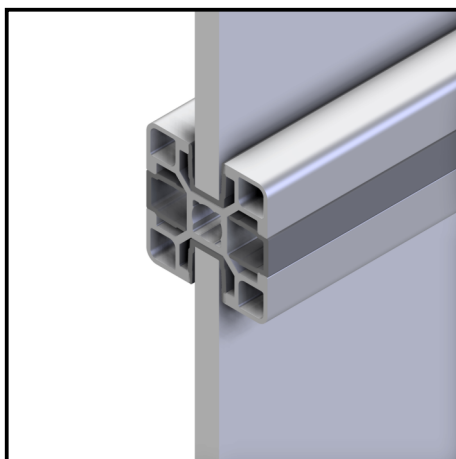
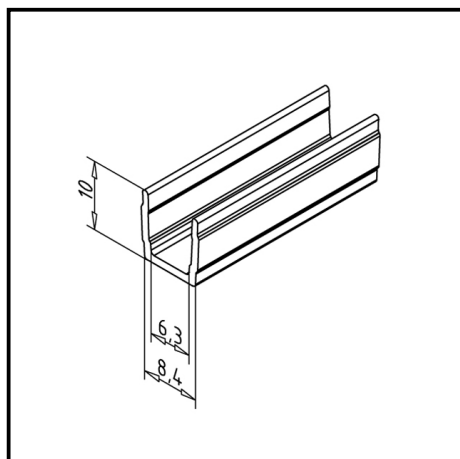


COVER PROFILE 30 GREY

Article Nr. 22.1161/1

[See the product on the website →](#)

[Download CAD Files →](#)



TECHN. DATA / ITEMS SUPPLIED

- PVC, extruded, grey
- Colour: basalt grey similar to RAL 7012
- Weight = 0.040 kg/m

APPLICATIONS

- Mounted with groove inwards:
For closing profile grooves
- **Mounted with the groove to the outside:**
For the absorption of surface elements up to 6 mm thickness, dimensional compensation by silicone or sponge rubber cord **part no. 22.1102/0**

ASSEMBLY

- Press or slide into the profile groove